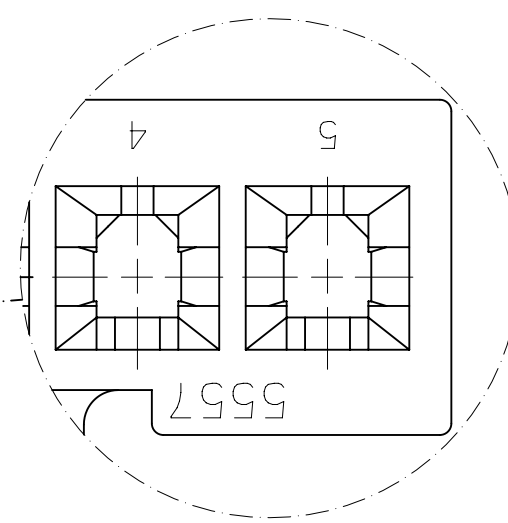
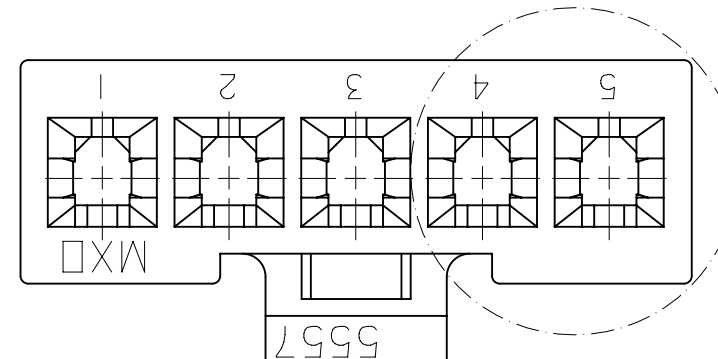


NOTES:

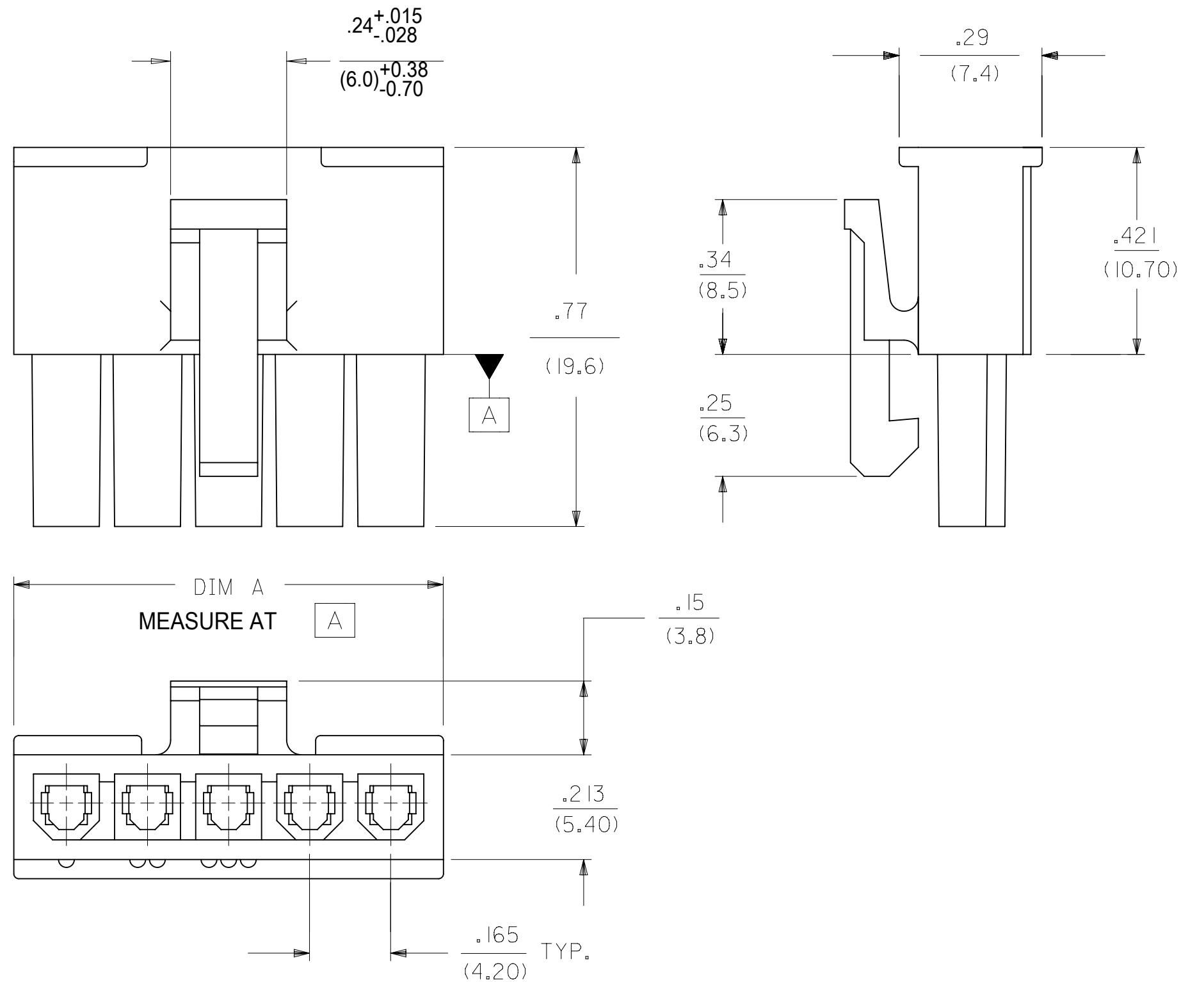
- 1) MATERIAL:  
 "BLANK": NYLON 6/6, 94V-2, COLOR: NATURAL.  
 210 : NYLON 6/6, 94V-0, COLOR: NATURAL.  
 400 : NYLON 6/6, 94V-0, COLOR: BLACK.
- 2) FINISH: NOT APPLICABLE
- 3) PRODUCT SPECIFICATION: PS-5556-001
- 4) PACKAGING SPECIFICATION: PK-5557-002
- 5) PART MATES WITH MOLEX PLUG #5559-\*, VERTICAL HEADER #5566-\*, AND RIGHT-ANGLE HEADER #5569-\*.
- 6) PART IS FOR USE WITH MOLEX FEMALE TERMINAL #5556-\*.
- 7) PART CONFORMS TO CLASS "B" REQUIREMENTS OF COSMETIC SPECIFICATION PS-45499-002.
- 8) PART IS NOT DESIGNED FOR CURRENT SHARING.
- 9) CONNECTORS ARE NOT TO BE MATED OR UNMATED WHILE CIRCUITS ARE LIVE.
- 10) WIRES ARE TO BE DRESSED IN SUCH A MANNER TO ALLOW THE TERMINALS TO FLOAT FREELY IN THE POCKET.
- 11) TEXT ON PART IS FOR REFERENCE ONLY. TEXT AND TEXT LOCATION MAY VARY DEPENDING ON PART NUMBER AND/OR TOOL.
- 12) BUBBLE IS ACCEPTABLE ON LATCH AREA.

| CKT SIZE | DIM A            |
|----------|------------------|
| 2        | .378<br>(9.60)   |
| 4        | .709<br>(18.00)  |
| 5        | .874<br>(22.20)  |
| 6        | 1.039<br>(26.40) |

| PART NUMBER | ENG. NUMBER   | CKT. SIZE | MATERIAL (SEE NOTE 1.) |
|-------------|---------------|-----------|------------------------|
| 39-01-4020  | 5557-02R2     | 2         | 94V-2                  |
| 39-01-4021  | 5557-02R2-210 | 2         | 94V-0                  |
| 39-01-4040  | 5557-04R2     | 4         | 94V-2                  |
| 39-01-4041  | 5557-04R2-210 | 4         | 94V-0                  |
| 46999-0503  | 5557-04R2-400 | 4         | 94V-0                  |
| 39-01-4050  | 5557-05R2     | 5         | 94V-2                  |
| 39-01-4051  | 5557-05R2-210 | 5         | 94V-0                  |
| 50-30-4447  | 5557-05R2-400 | 5         | 94V-0                  |
| 39-01-4060  | 5557-06R2     | 6         | 94V-2                  |
| 39-01-4061  | 5557-06R2-210 | 6         | 94V-0                  |



OPTIONAL ENGINEERING NUMBER LOCATION



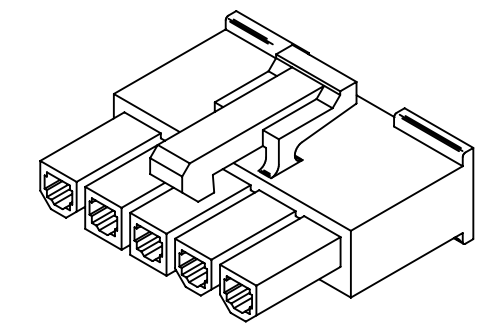
LEGEND:

CKT. SIZE: 5557-\*\*\* R2-\*\*\*-\*\*\*  
 (02, 04-06)

RECEPTACLE (SINGLE ROW)

MATERIAL OPTION: (SEE NOTE 1)

COLOR:  
 "BLANK" = NATURAL  
 "BL" = BLACK



THIS DRAWING CONTAINS INFORMATION THAT IS PROPRIETARY TO MOLEX ELECTRONIC TECHNOLOGIES, LLC AND SHOULD NOT BE USED WITHOUT WRITTEN PERMISSION

|  |                        |                   |              |                            |                          |                      |
|--|------------------------|-------------------|--------------|----------------------------|--------------------------|----------------------|
| DIMENSION UNITS: INCH                                | SCALE: NTS             | CURRENT REV DESC: |              |                            |                          |                      |
| GENERAL TOLERANCES (UNLESS SPECIFIED)                |                        | EC NO: 719028     |              |                            |                          |                      |
| 4 PLACES: ±  | MM: ±                  | DRWN: JERRYW8     | 2022/08/22   |                            |                          |                      |
| 3 PLACES: ±  | INCH: ± 0.01           | CHK'D: XQZHANG    | 2022/09/01   |                            |                          |                      |
| 2 PLACES: ± 0.25                                     | ± 0.015                | APPR: XQZHANG     | 2022/09/01   |                            |                          |                      |
| 1 PLACE: ± 0.38                                      | ±                      | INITIAL REVISION: | 2/15/89      |                            |                          |                      |
| 0 PLACES: ±  | ±                      | DRWN: KSS         | 2012/05/04   |                            |                          |                      |
| ANGULAR TOL: ± 0.5°                                  |                        | APPR: FSMITH      | 2012/05/04   |                            |                          |                      |
| DRAFT WHERE APPLICABLE MUST REMAIN WITHIN DIMENSIONS | THIRD ANGLE PROJECTION | DRAWING: C-SIZE   | SERIES: 5557 | MATERIAL NUMBER: SEE CHART | CUSTOMER: GENERAL MARKET | SHEET NUMBER: 1 OF 1 |

PRODUCT CUSTOMER DRAWING

DOCUMENT NUMBER: 55570002-SD

DOC TYPE: PSD

DOC PART: 000

REVISION: A1

THIS DRAWING REPLACES DRAWING SD-5557-NR2\*