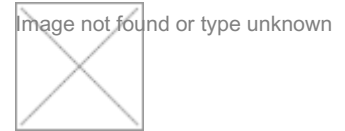


Data sheet

Commercial Art.No.: 92.050.0353.0

Distributor GST18I5V 3P1 V WS



Commercial Art.No.	92.050.0353.0
EAN	4015573381674
Order Unit	1

Certificates / Approvals



Technical data

General

Rated current	20 A
Rated voltage	250 V / 400 V
Rated impulse voltage	4 kV
Pollution degree	2
Mechanical coding	Code 1
Lockable	self-locking (unlocking by tool)
Color of coding/ contact carrier	white
Marking of poles	3, N, PE, 2, 1

Model

Number of inputs	1
Number of outputs	3
Type of fastening	No
Degree of protection (IP)	IP20
Type of distributor	H-distributor

Material

Housing material	Polyamide
halogen free	yes
Contact material	CuZn
Fire load	0.239 kWh
Insulation components continuous temperature	100 °C
Surface finish	Tin-plated

Classification

ECLASS 11	
ECLASS 8.1	27440603
ETIM 7.0	EC002567
ETIM 6.0	EC002567
ETIM 5.0	EC002567
ETIM 4.0	EC002567

Dimensions

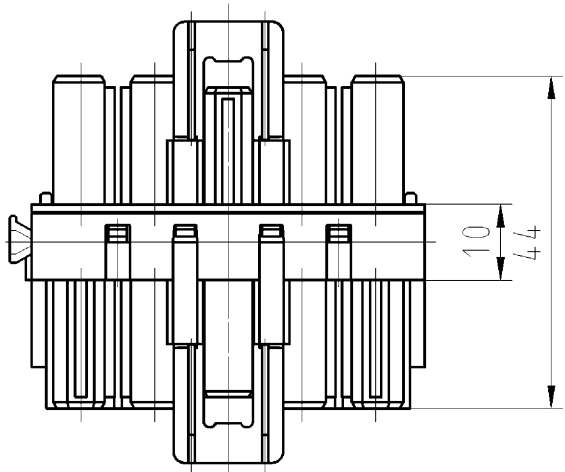
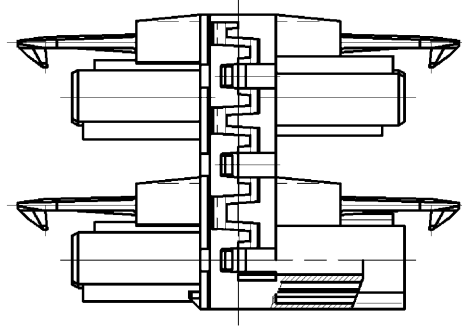
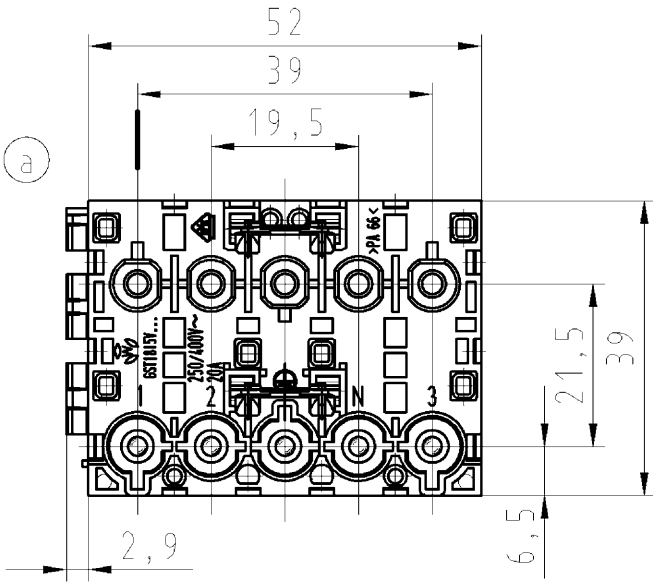
Length	44 mm
Width	55 mm
Height	39 mm

Product compliance

ROHS conformity status	Compliant/Exempted
ROHS exceptions	III-6(c)
REACH-SVHC conformity status	Duty-To-Declare
REACH-SVHC substances	Lead
REACH-SVHC CAS numbers	7439-92-1

Accessories

Commercial Art.No.:	Article-type description:	Description:
07.413.5453.1	Supporting plate VERT. GST18i5 WANDBEF. SW	"Mounting plate for distribution block 5 pole; 5/3 pole, for bolt on fixation"
07.413.6853.1	Supporting plate GST18 VERTEILER SW	geis®-Mounting plate for GST18-distributors. Wall mounting with screws or gas-actuated nailers; fixing on cable trays with moulded expanding rivets; lying distributor mounting
05.588.5753.0	Lock GST18 VERTEILER WS	Locking device for distributor GST18i3-5, retrofit part, white
05.588.5753.1	Locking slide GST18 VERTEILER SW	Locking device for distributor GST18i3-5, retrofit part, black
05.564.5353.0	cover cap GST18i3/4/5 SW	Cover piece 12 pole black for female parts GST18i3-6
05.564.5353.2	cover cap GST18i3/4/5 WS	Cover piece 12 pole white for female parts GST18i3-6
05.566.9253.0	cover cap GST18i5 BUCHSEN	Cover for female connectors GST18i5, black



○ Diese Maße werden bei Abnahme besonders geprüft
 ○ Ausschließlich Prüfmäße
 ○ Mit ZE gekennzeichnete Maße sind nur für interne Zwecke gültig

Weitere Daten siehe Katalog
 further data see catalog

Teile - Nr. part-no.	Farbe colour	Typ type
92.050.0353.0	weiß white	GST1815V 3P1 V WS
92.050.0353.1	schwarz black	GST1815V 3P1 V SW

Freitoleranz nach DIN -		CAD - Zeichnung, keine manuellen Änderungen		1. Verwendung: -		Bl.: 1 von 1	
	/	Maßstab	2004	Tag	Name	T	Zeichnung Nr. 92.050.0353.0 01K a
	/	%	Entworfen	08.12.	Treschan		
	/		Geprüft	-	-		
	/	 wieland Elektrische Verbindungen	Normgepr.	-	-	Ersatz für:	
a	12.06.2013/		Benennung VERTEILER distributor 250V AC 20A				
Buchstabe	Datum / Blatt						
Änderung							

Weitergabe sowie Vervielfältigung dieses Dokuments, Verwertung und Mitteilung
 seines Inhalts sind verboten, soweit nicht ausdrücklich gestattet.
 The reproduction, distribution and utilization of this document as well as the
 communication of its contents to others without express authorization is prohibited.

920500353001K_2 CADW3030 Lunz 2013-06-12T14:05:09 1.000