



SH260 Series • Inductors for National's 260kHz Simple Switcher™

Compatible with National Semiconductor's Simple Switcher™
Part Numbers LM267X-L41 and LM267X-L45 through LM267X-L50

Features

- High energy storage with minimum saturation
- High stability from no load to full load
- Available in both SMD and THT versions
- Manufactured in ISO-9001:2000, TS-16949:2002 and ISO-14001:2004 certified Talema facility
- Meets lead free reflow level J-STD-020C
- Fully RoHS compliant



Electrical Specifications @ 25°C

Test voltage between windings: 500 Vrms

Operating temperature range: -40°C to +125°C

Climatic Category: IEC68-1 40/125/56

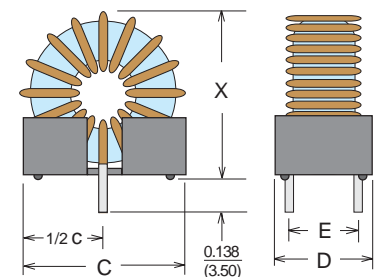
Test frequency: Inductance measured @ 10kHz / 10mV

Part Number	National Part Number	Rated Current (I _{DC})	Inductance (μH) ±20%	ET _{OP} (V-μSec) Max. @ 260kHz	DCR Nominal (mOhm)	Package Size	
						Package Code	Lead Dia. (mm)
SH260C-4.9-23	LM267X-L41	4.9	22.8	23.3	36	C3	0.80
SH260C-4.3-10	LM267X-L45	4.3	10.2	10.0	26	C1	0.75
SH260C-5.0-15	LM267X-L46	5.0	14.8	17.0	23	C2	0.80
SH260C-5.0-10	LM267X-L47	5.0	10	13.0	25	C2	0.75
SH260C-5.0-50	LM267X-L48	5.0	50	40.0	50	C4	0.90
SH260C-5.0-33	LM267X-L49	5.0	33	36.0	47	C4	0.80
SH260C-5.0-23	LM267X-L50	5.0	23	24.0	26	C3	0.80
SH260S-4.9-23	LM267X-L41	4.9	22.8	23.3	36	SH6A	
SH260S-4.3-10	LM267X-L45	4.3	10	10.0	26	S4	
SH260S-5.0-15	LM267X-L46	5.0	15	17.0	27	S5	
SH260S-5.0-10	LM267X-L47	5.0	11	13.0	25	S5	
SH260S-5.0-50	LM267X-L48	5.0	52*	40.0	25	SHC7	
SH260S-5.0-33	LM267X-L49	5.0	36*	36.0	19	SHC7	
SH260S-5.0-23	LM267X-L50	5.0	24.7*	24.0	13	SHC7	
SH260T-4.9-23	LM267X-L41	4.9	22.8	23.3	36	TH6A	
SH260T-4.3-10	LM267X-L45	4.3	10	10.0	26	T4	
SH260T-5.0-15	LM267X-L46	5.0	15	17.0	27	F2	
SH260T-5.0-10	LM267X-L47	5.0	11	13.0	25	F2	

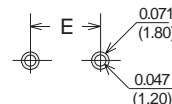
* Note: Series connection with pins 2 - 4 connected

Type SW260C - Clip Mount

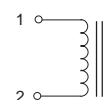
Part Number	Size Code	Dimensions - Inches ±0.01 (mm ±0.25)				
		C	D	E	Coil OD	X = Coil OD +
SH260C-4.3-10	C1	0.580 (14.73)	0.340 (8.64)	0.220 (5.58)	0.605 (15.40)	0.110 (2.80)
SH260C-5.0-15	C2	0.650 (16.50)	0.449 (11.40)	0.299 (7.60)	0.640 (16.26)	0.110 (2.80)
SH260-5.0-10	C2	0.650 (16.50)	0.449 (11.40)	0.299 (7.60)	0.590 (15.00)	0.110 (2.80)
SH260C-4.9-23	C3	0.827 (21.00)	0.449 (11.40)	0.299 (7.60)	0.840 (21.34)	0.110 (2.80)
SH260C-5.0-23						
SH260C-5.0-50	C4	0.949 (24.10)	0.598 (15.20)	0.449 (11.40)	1.240 (31.50)	0.110 (2.80)
SH260C-5.0-33						



Suggested Board Layout (Top Side View)

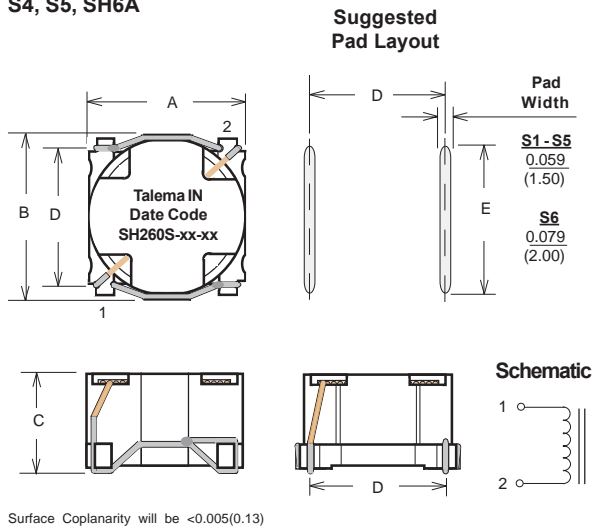


Schematic

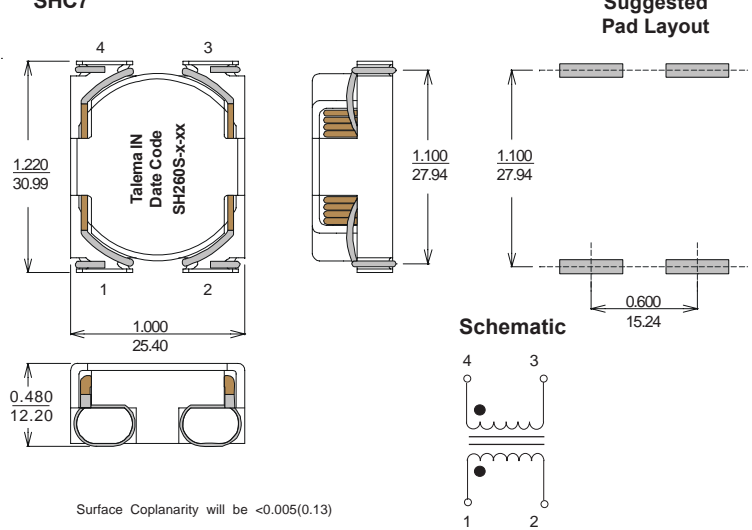


Mounting Styles • SH260 Series • Low Cost Toroidal Inductors

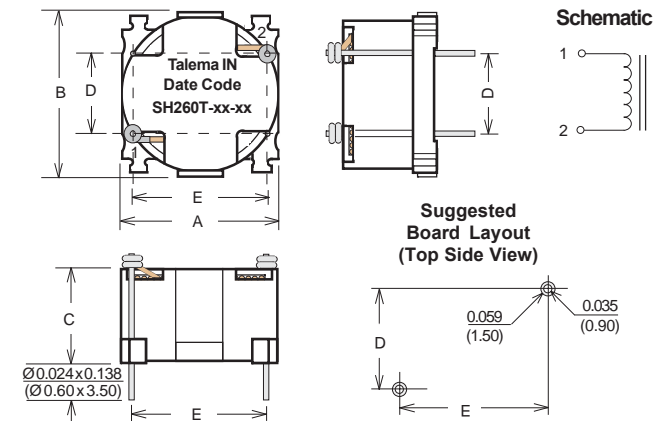
S4, S5, SH6A



SHC7

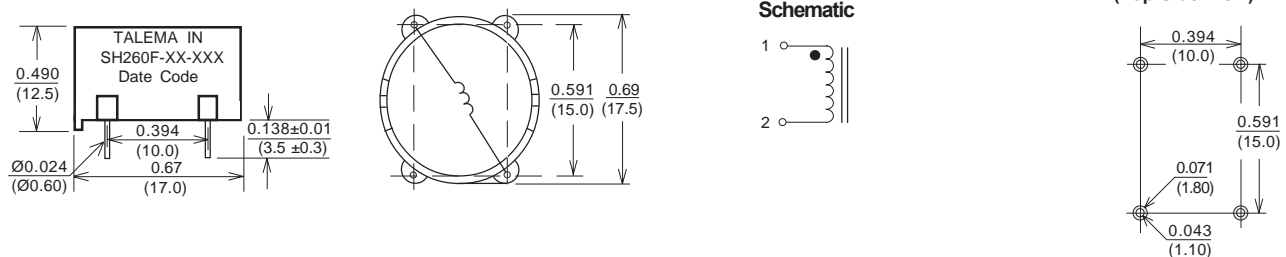


T4 & TH6A



Mounting Style	Size Code	Dimensions - Inches ± 0.010 (mm ± 0.25)				
		A	B	C	D	E
"S" SMD	S4	0.591 (15.0)	0.614 (15.6)	0.394 (10.0)	0.508 (12.9)	0.551 (14.0)
	S5	0.669 (17.0)	0.701 (17.8)	0.441 (11.2)	0.591 (15.0)	0.630 (16.0)
	SH6A	0.925 (23.5)	0.957 (24.3)	0.417 (10.6)	0.827 (21.0)	0.748 (19.0)
"T" THT	T4	0.591 (15.0)	0.614 (15.6)	0.358 (9.10)	0.300 (7.62)	0.500 (12.70)
	TH6A	0.925 (23.5)	0.957 (24.3)	0.386 (9.80)	0.650 (16.51)	0.800 (20.32)

Type SH260F - Flat Mount - Size F2



Sales & Marketing, Design and Manufacturing Facilities

<http://www.talema-nuvotem.com>

Eastern Europe & Czech Republic

NT MAGNETICS s.r.o.
Chebská 27
322 00 Plzeň
Tel: Int. + 420 377 - 338 351
Fax: Int. + 420 377 - 338 350
Email: talema@talema.cz
Web Site: www.ntmagnetics.cz

Germany

TALEMA ELEKTRONIK GMBH
Sembdnerstr. 5, Postfach 2523
82110 Germering
Tel: Int. + 49 89 - 841 00 - 0
Fax: Int. + 49 89 - 841 00 25
Email: info@talema.de

Ireland

NUVOTEM TEO.
Crollý
Co. Donegal
Tel: Int. + 353 74 - 954 8666
Fax: Int. + 353 74 - 954 8139
Email: info@nuvotem.com

India

TALEMA ELECTRONIC PVT. LTD.
Opposite the SIDCO Industrial Estate
Gins Towers
4/5S.H/1, Omalur Main Road
Salem - 636 004, Tamil Nadu
Tel: Int. + 91 427 - 244 1325
Fax: Int. + 91 427 - 243 0034
E-mail: talema@talemaindia.com
Web Site: www.talemaindia.com