

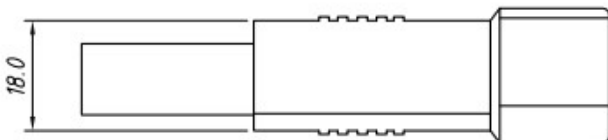
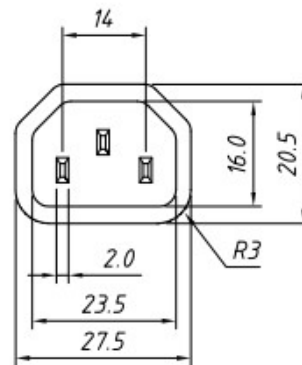
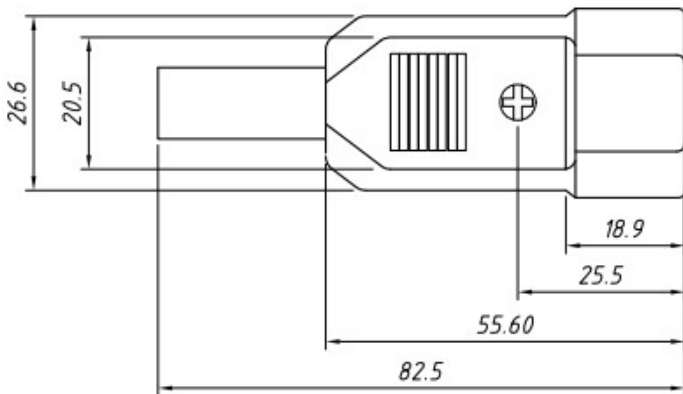


龍豐實業有限公司
Dragon City Industries Limited

Specialist manufacturer for
electronic component



Item No.: AS-413



Electrical

Standard: IEC 60320 C8

Voltage rating: 250V AC

Rating: 250VAC 10A (2.5A)

Insulation Resistance: 100M Ω 500V DC / 1 minute

Dielectric Strength: 2000V AC / 1 minute

Mechanical

Temp. Range: -45 °C ~ +105 °C