

Electrical Specifications:

Impedance: 50 Ω

Frequency Range Semi-rigid cable: 0-18 GHz

Flexible cables: 0-12.4 GHz

Voltage Rating : 335 volts rms.

Dielectric Withstanding Voltage : 500 volts rms.

VSWR : 1.15 +0 .02 f (GHz) for Straight connector typical

1.25 +0 .025 f (GHz) for Right angle connector typical

Contact Resistance Center contact: 2.0 mΩ

Body: 2.0 mΩ

Insulation Resistance: 5,000 MΩ

Mechanical Specifications:

Mating:1/4"-36 UNS thread coupling

Cable retention:6kgf typical

Durability:500Cycles Min.

Coupling nut retention:18kgf Min.

Temperature Range: - 55°C to +155°C

Material:

Connector body: Brass per QQ-B-626 ,gold Plating or nickel

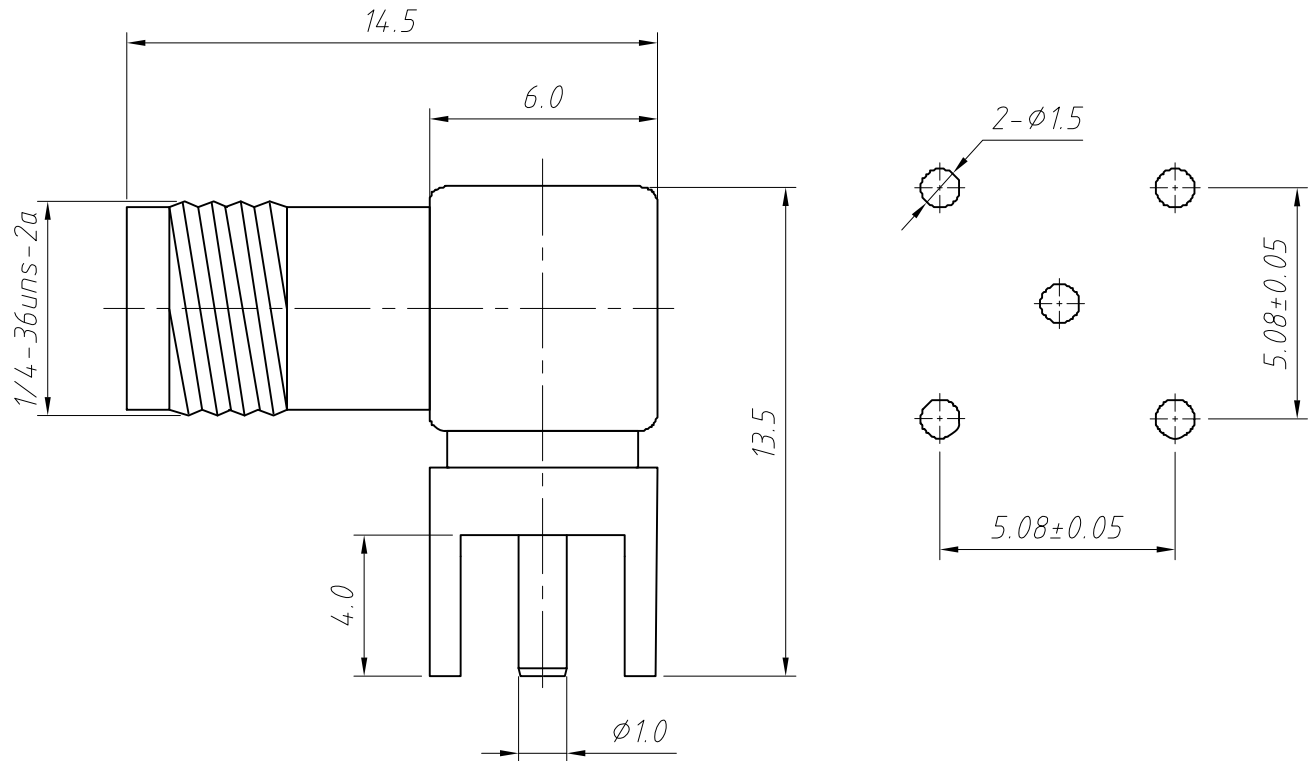
Center contact Male: Brass,gold Plating

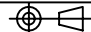

Center contact Female: Beryllium copper,gold Plating

Insulator: PTFE

Gasket:Silicone rubber

Crimp Ferrule:Annealed copper



GENERAL TOLERANCE	PROJECTION		Description:
X. ±0.50	UNITS	mm	PCB Mount SMA Connector
.X ±0.25	SCALE	1:1	
.XX ±0.10	Draw by:	Jenny	
ANGLE TOLERANCE	Check by:		KLS P/N: L-KLS1-SMA002-B
X. ±5°	Date	2018-03-01	 NingBo KLS ELECTRONIC CO.,L TD.
.X ±3°	SHEET	1 OF 1	
.XX ±2°			