

Data sheet

Commercial Art.No.: 92.943.3053.0

Connector GST18I4S B1 ZR1 WS

GST18i4 connector, 4 pole, female with screw connection, coding mains 250 V/ 400 V, 20 A, coding color white, strain relief color white



Commercial Art.No.	92.943.3053.0
EAN	4015573785649
Order Unit	1

Certificates / Approvals



Technical data

General

Rated current	20 A
Rated voltage	250 V / 400 V
Rated impulse voltage	4 kV
strain relief	yes
Pollution degree	2
Mechanical coding	Code 1
Lockable	self-locking (unlocking by tool)
Color of coding/ contact carrier	white
Marking of poles	2, N, PE, 1
Color of housing inclusive strain relief	white

Connection Data

Cable diameter max.	11.5 mm
Cable diameter min.	6.8 mm
Connection cross section solid mm ² max.	2.5 mm ²
Connection cross section solid mm ² min.	0.75 mm ²
Connection cross section fine stranded mm ² max.	2.5 mm ²
Connection cross section fine stranded mm ² min.	0.75 mm ²
Terminations per pole	1
sheath strip length	38.5 mm
Wire strip length	7 mm

Model

Model	female
Connection type	screw connection
Degree of protection (IP)	IP20

Material

Housing material	Polyamide
halogen free	yes
Contact material	CuZn
Fire load	0.121 kWh
Insulation components continuous temperature	100 °C
Surface finish	Tin-plated

Dimensions

Length	69.4 mm
Width	38 mm
Height	15 mm

Classification

ECLASS 11	
ECLASS 8.1	27440605
ETIM 7.0	EC002560
ETIM 6.0	EC002560
ETIM 5.0	EC002560
ETIM 4.0	EC002560

Product compliance

ROHS conformity status	Compliant/Exempted
ROHS exceptions	III-6(c)
REACH-SVHC conformity status	Duty-To-Declare
REACH-SVHC substances	Lead
REACH-SVHC CAS numbers	7439-92-1

Accessories

Commercial Art.No.:	Article-type description:	Description:
05.587.3156.0	Lock (G)ST18 WS	Locking device for cable to cable connection GST18i3-5, white
05.564.5353.0	cover cap GST18i3/4/5 SW	Cover piece 12 pole black for female parts GST18i3-6
05.564.5353.2	cover cap GST18i3/4/5 WS	Cover piece 12 pole white for female parts GST18i3-6
05.566.9153.0	cover cap GST18i4 BUCHSEN	Cover for female connectors GST18i4, black
05.587.3156.1	Lock (G)ST18 SW	Locking device for cable to cable connection GST18i3-5, black

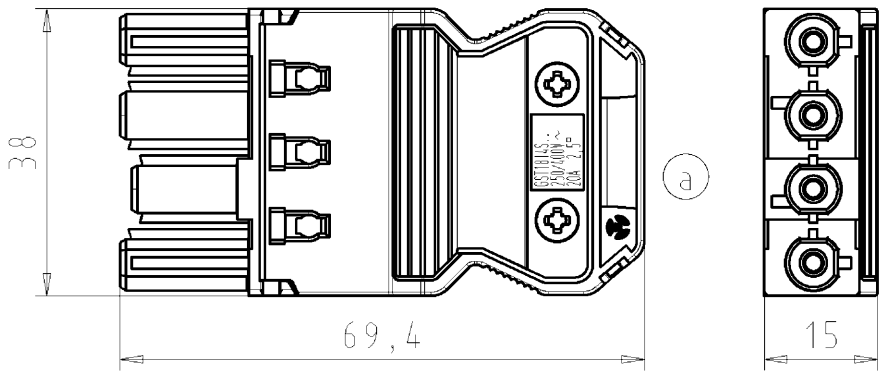
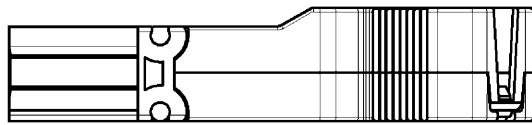
Fits with

Commercial Art.No.:	Article-type description:	Description:
92.044.0058.0	Device connector GST18i4L S1H WS	GST18i4 PCB mount with additional mounting option, 4 pole, male (horizontal), coding mains 250 V/ 400 V, 20 A, coding color white
92.044.0158.0	Device connector GST18i4L S1H GR01	GST18i4 PCB mount with additional mounting option, 4 pole, male (horizontal), coding UPS 250 V/ 400 V, 20 A, coding color pebble grey
92.207.1000.2	Cable assembly GST18i4KSBS 15 10WS	GST18i4 connection cable female - male, length 1.0 m, 4 pole, coding mains 250 V/ 400 V, 16 A, coding color white, strain relief color white, cable color white, cross section 1.5 mm ² , cable type H05VV-F, fire class: Eca

92.207.1004.2	Cable assembly GST18I4KS-S 15 10WS	GST18i4 extension cable male - free end, length 1.0 m, 4 pole, coding mains 250 V / 400 V, 16 A, coding color white, strain relief color white, cable color white, cross section 1.5 mm ² , cable type H05VV-F, fire class: Eca
92.207.1003.0	Cable assembly GST18I4KSB- 15 10TR01	gegis® Connection cable female - free end; length: 1 m; type GST18I4; 4- pole; Code 2; 250/400 V / 16 A; colour of coding: tomato red with blacks train relief; cable: H05VV-F 4G1,5 black, fire class Eca
92.944.3053.0	Connector GST18I4S S1 ZR1 WS	GST18i4 connector, 4 pole, male with screw connection, coding mains 250 V / 400 V, 20 A, coding color white, strain relief color white

A

These dimensions will be especially checked at delivery
 Only inspection dimensions
 With /E marked dimensions are only valid for internal use

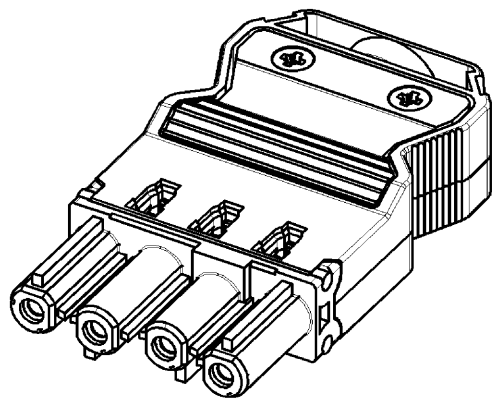


C

Diese Maße werden bei Abnahme besonders geprüft
 Ausschließlich Prüfmaße
 Mit /E gekennzeichnete Maße sind nur für interne Zwecke gültig

D

Weitere Daten siehe Katalog
 further data see catalog



Weitergabe sowie Vervielfältigung dieses Dokuments, Verwertung und Mitteilung seines Inhalts sind verboten, soweit nicht ausdrücklich gestattet. Die Reproduktion, Distribution und Utilization of this document as well as the communication of its contents to others without express authorization is prohibited.

Teile-Nr. part number	Farbe colour	Typ type	Kabel- ϕ cable diameter
92.943.3053.0	weiß/white	GST1814S B1 ZR1 WS	6,5-12,0
92.943.3053.1	schwarz/black	GST1814S B1 ZR1 SW	6,5-12,0

Tolerierung Size ISO 14405 (E) / Tolerance system Size ISO 14405 (E).
 (This ISO-standard describes the envelope principle. According to the envelope principle the deviations of form and parallelism are limited by the size tolerances).
 ja/yes Stoffverbots- und Deklarationsliste nach UU-TQM-05/03 ist einzuhalten.
 Conformity with Wieland document UU-TQM-05/03 (list of prohibited / declarable hazardous substances) to be declared!

Freitoleranz nach DIN ISO 2768 - m CAD - Zeichnung, keine manuellen Änderungen I. Verwendung: - Blatt: 1 von 1
 General tolerance CAD - drawing, no manual modifications allowed First Use: Sheet: 1 of 1

	/		Werkstoff/Material	2005	Tag/Date	Name	Zeichnung Nr./Drawing No.	Index
	/			gezeichnet drawn	11.10.	Schmitt J.		
	/	Maßstab/Scale	Ersatz für/Replacement for: -	geprüft checked	-	-	Maße in mm/Dimensions are in mm	
	/			1:1	Normgepr. Stand., check	-		
	/	Vol.	mm ³ Oil./Surf.	mm ²				

	/		wieland	Type siehe Tabelle	Benennung/Tittle
a	19.10.2012/ Date / Sheet			Elektrische Verbindungen	see table
Änderung/Revision					Schrb. Anchl./screw connection, unmon./unassambled 250/400V AC, 20A, 2,5qmm

929433053001K_2 CADW20.35.treschan 2012-10-24T08:58:43 1.000