

Data sheet

Commercial Art.No.: 96.021.4053.1

Connector RST20I2S B13ZR1 SW

RST20i3/2 connector, 2 pole, female, screw connection, application 250V, 20A, for cable diameters 6-10mm, coding color black, color of housing black



Commercial Art.No.	96.021.4053.1
EAN	4015573852518
Order Unit	1

Certificates / Approvals



Technical data

General

Rated current	20 A
Rated voltage	250 V
Rated impulse voltage	4 kV
strain relief	yes
Pollution degree	3
Lockable	self-locking (unlocking by tool)
Color of coding/ contact carrier	black
Marking of poles	L, N
Color of housing inclusive strain relief	black

Connection Data

Cable diameter max.	10 mm
Cable diameter min.	6 mm
Connection cross section solid mm ² max.	6 mm ²
Connection cross section solid mm ² min.	0.75 mm ²
Connection cross section solid AWG min.	16 AWG
Connection cross section solid AWG max.	10 AWG
Connection cross section fine stranded mm ² max.	6 mm ²
Connection cross section fine stranded mm ² min.	0.75 mm ²
Terminations per pole	1
Connection cross section stranded mm ² min.	0.75 mm ²
Connection cross section stranded mm ² max.	6 mm ²
Connection cross section stranded AWG min.	16 AWG
Connection cross section stranded AWG max.	10 AWG
sheath strip length	26.5 mm
Wire strip length	8 mm

Model

Model	female
Connection type	screw connection
Degree of protection (IP)	IP66/68 (3m;2h) /IP69

Material

Housing material	Polyamide
halogen free	yes
Contact material	CuZn
Fire load	0.292 kWh
Insulation components continuous temperature	100 °C
Surface finish	Silver-plated

Dimensions

Length	82 mm
Width	34.6 mm
Height	34.6 mm

Classification

ECLASS 11	
ECLASS 8.1	27440605
ETIM 7.0	EC002560
ETIM 6.0	EC002560
ETIM 5.0	EC002560
ETIM 4.0	EC002560

Note

Note	RST® terminals with screw clamping allow the connection of conductors without special preparation (without ferrules) according to EN 60999-1.
------	---

Product compliance

ROHS conformity status	Compliant/Exempted
ROHS exceptions	III-6(c)
REACH-SVHC conformity status	Duty-To-Declare
REACH-SVHC substances	Lead
REACH-SVHC CAS numbers	7439-92-1

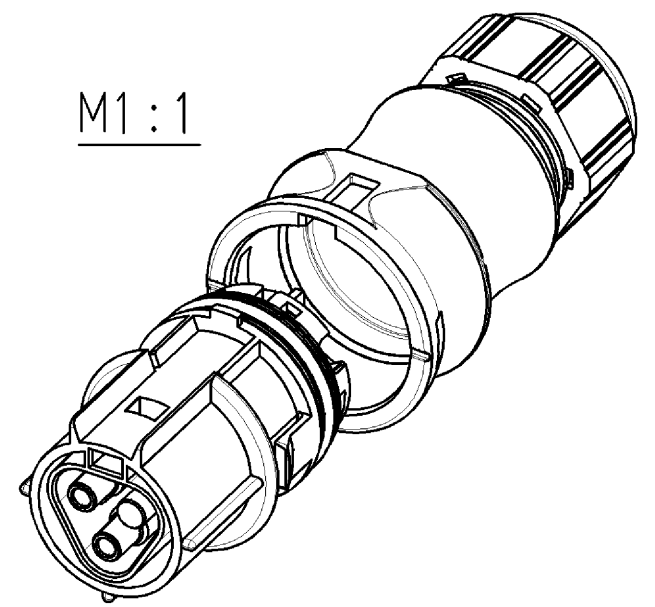
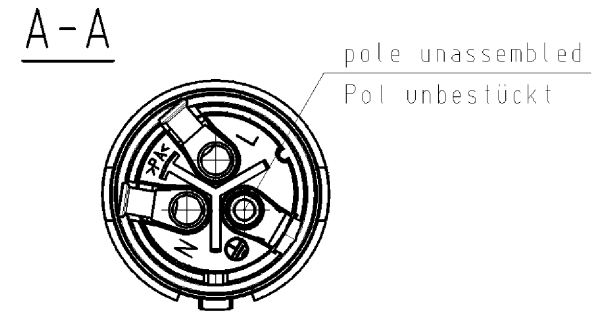
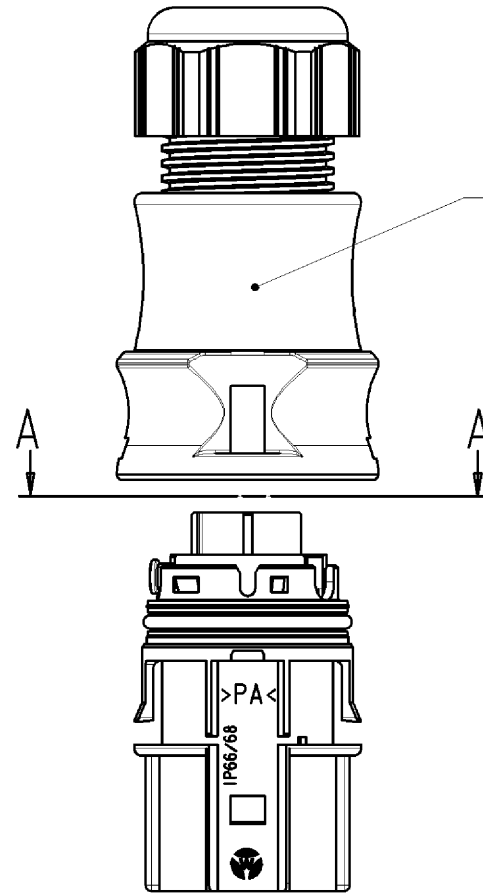
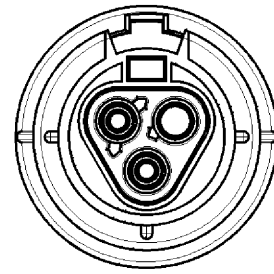
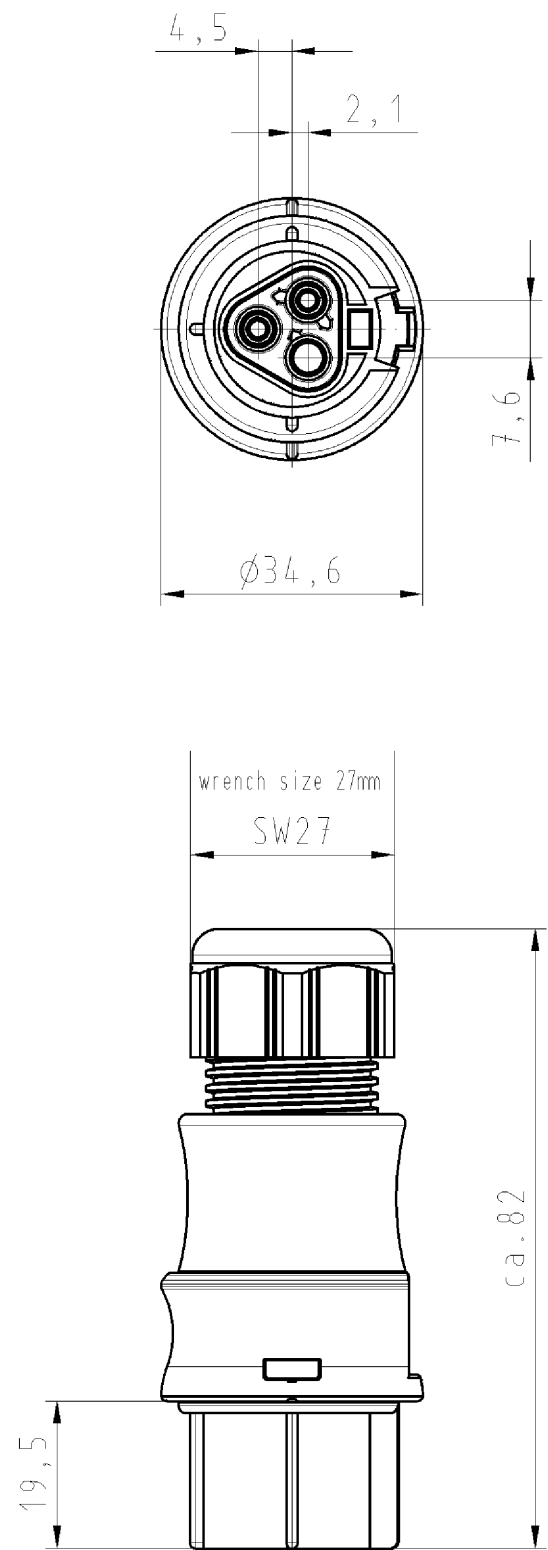
Accessories

Commercial Art.No.:	Article-type description:	Description:
99.414.6205.2	Cover for female connector SW	RST20i3/2 cover piece, for covering unused female connectors, with fastening belt, color schwarz
Z5.564.4553.1	Cover for female connector SW	RST20i3/2 cover piece, for covering unused female connectors, color black

Fits with

Commercial Art.No.:	Article-type description:	Description:
---------------------	---------------------------	--------------

96.020.0153.1	Distributor RST20I2V 3P1 F V SW	RST20i3/2 distribution block, 2 pole, application 250V, 20A, 1 input and 3 outputs, with fastening option, coding color black, color of housing black
96.022.4053.1	Connector RST20I2S S13ZR1 V SW	RST20i3/2 connector, 2 pole, male, screw connection, application 250V, 20A, for cable diameters 6-10mm, coding color black, color of housing black
96.024.4053.1	Connector RST20I2S S13YR1 V SW	RST20i3/2 connector (90° angled), 2 pole, male, screw connection, application 250V, 20A, for cable diameters 6-10mm, coding color black, color of housing black
99.988.0000.7	distributor box RST20I2V 7P1 FV L SW	RST20i3/2 multi-distribution unit, 2 pole, application 250V, 20A, 1 input and 7 outputs, mounting option, coding color black, color of housing black



Diese Maße werden bei Abnahme besonders geprüft
 Ausschließlich Prüfmaße
 Mit /E gekennzeichnete Maße sind nur für interne Zwecke gültig

Verpackungseinheit: je 100 Stück
 packaging unit: per 100

Teile-Nr./ part-nr.	Farbe:/ color:
96.021.4053.1	schwarz, ähnl. RAL 9005/ black, similar to RAL 9005
96.021.4053.0	lichtgrau, ähnl. RAL 7035/ lightgrey, similar to RAL 7035

Freitoleranz nach		CAD - Zeichnung, keine manuellen Änderungen			1. Verwendung: -		Bl.: 1 von 1		
	Maßstab	Werkstoff und Oberfläche:		2005	Tag	Name		Zeichnung Nr.	Index
	1:1			Entworfen	06.07.	Kneitz			
	Vol.	mm ³	Ofl.	mm ²	Normgepr.			Ersatz für: -	
Buchstabe		Datum / Blatt		wieland Elektrische Verbindungen		Typ RST2012S B13ZR1		Benennung BUCHSENTEIL MIT ZUGENTLASTUNG female connector with cord grip Schraubanschluß ohne Drahtschutz/screw-connection without wire protection	
Änderung									

Weitergabe sowie Vervielfältigung dieses Dokuments, Verwertung und Mitteilung
 seines Inhalts sind verboten, soweit nicht ausdrücklich gestattet.
 The reproduction, distribution and utilization of this document as well as the
 communication of its contents to others without express authorization is prohibited.