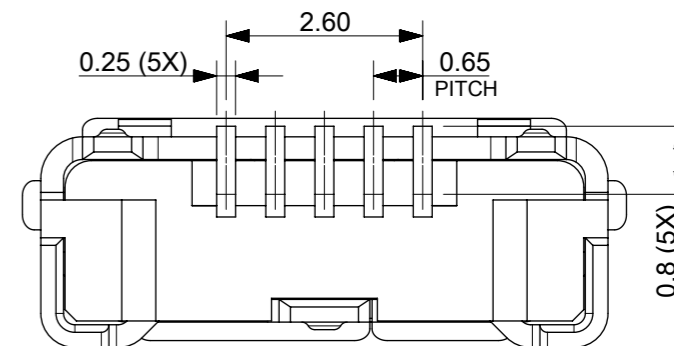
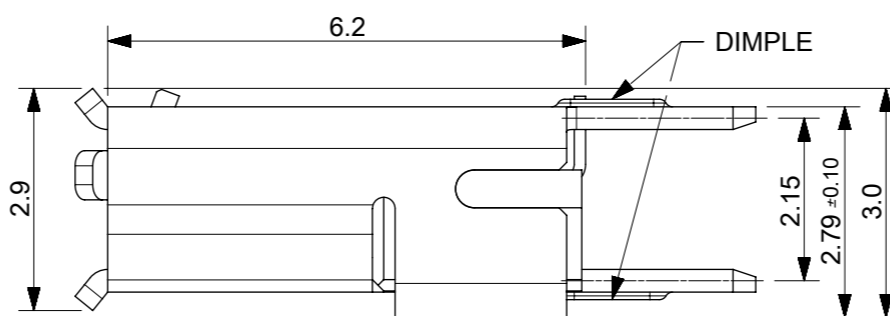
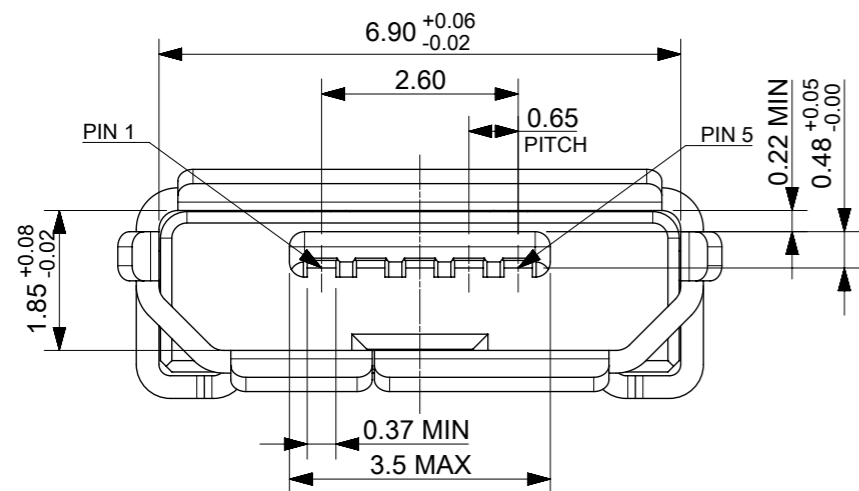


RECOMMENDED PCB LAYOUT (THICKNESS: 1.6mm)
GENERAL TOLERANCE: ±0.05

5	GND
4	ID
3	D+
2	D-
1	VBUS
PIN	NAME
PIN ASSIGNMENT	

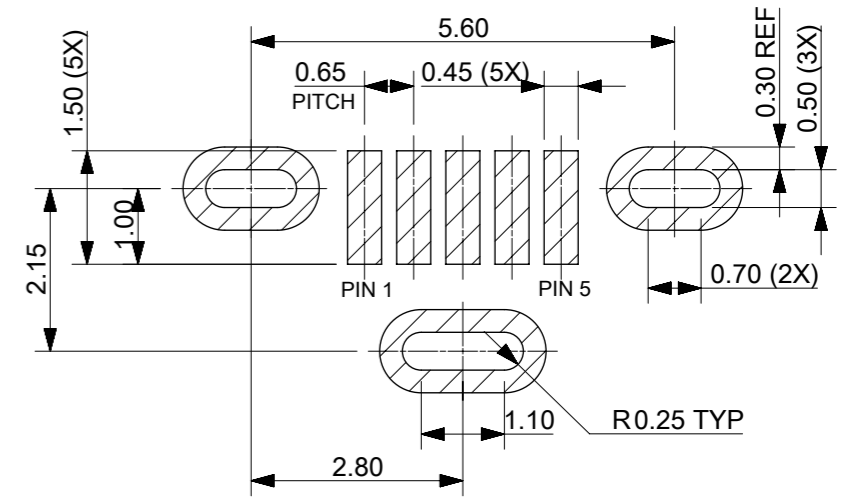
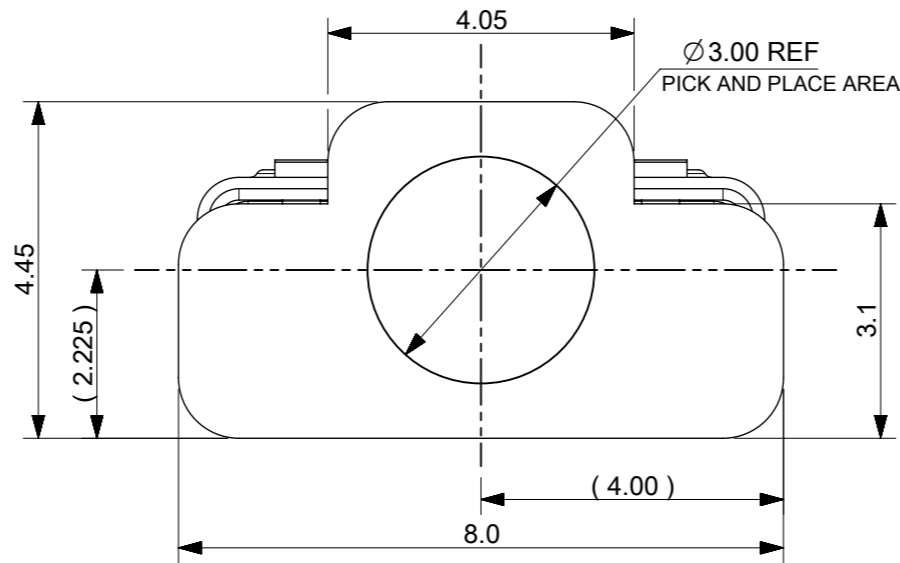
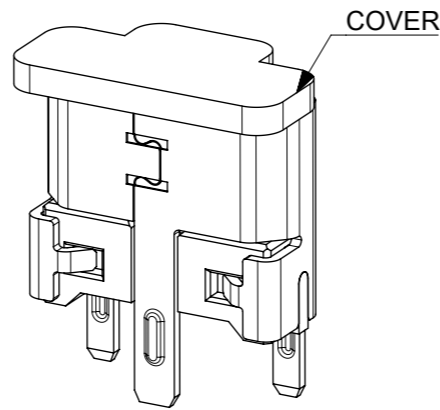
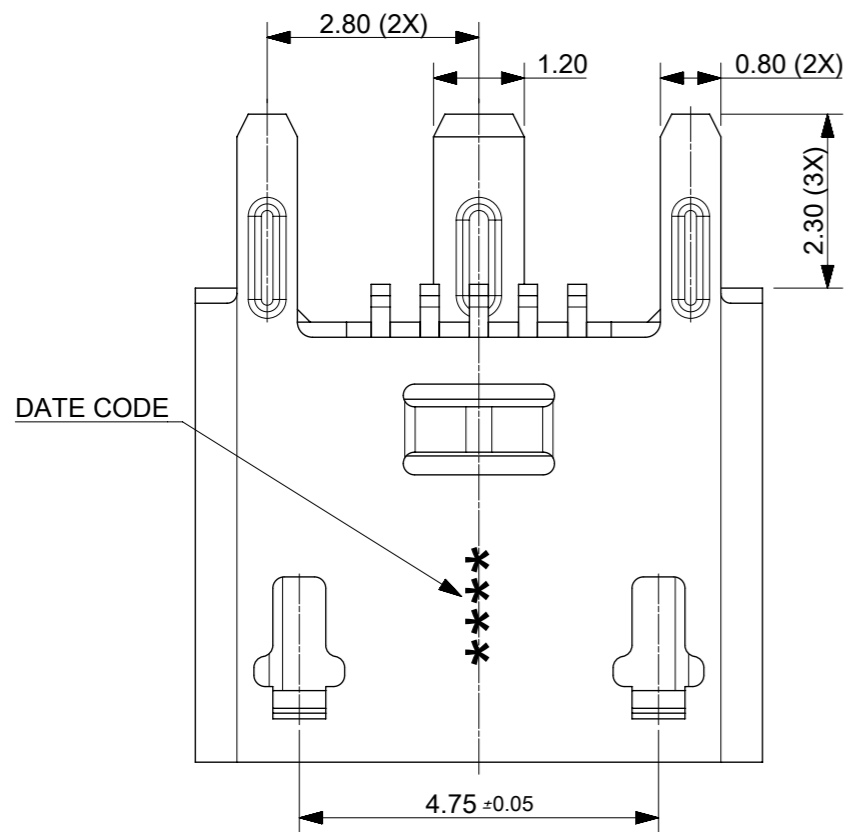


105133-0002	1.70
105133-0001	2.30
PART NUMBER	DIM A

NOTES:

- MATERIAL:
HOUSING & COVER: HIGH TEMPERATURE THERMOPLASTIC, BLACK, UL94V-0;
TERMINAL: COPPER ALLOY, THICKNESS: 0.15mm;
SHELL: STAINLESS STEEL, THICKNESS: 0.30mm.
- PLATING:
TERMINAL: CONTACT AREA: GOLD FLASH OVER MINIMUM 0.75 MICRON Pd/Ni;
SOLDER TAIL AREA: GOLD FLASH;
UNDER PLATING: NICKEL 2.0 MICRON MINIMUM.
SHELL: MATTE TIN 1.27 MICRON MINIMUM;
UNDER PLATING: NICKEL 1.27 MICRON MINIMUM.
- TAIL COPLANARITY 0.08mm MAXIMUM.
- PRODUCT SPECIFICATION: PS-105133-001.
- PACKAGE SPECIFICATION: PK-105133-001.
- COMPLIANT TO RoHS DIRECTIVE 2011/65/EU AND ELV 2000/53/EC.

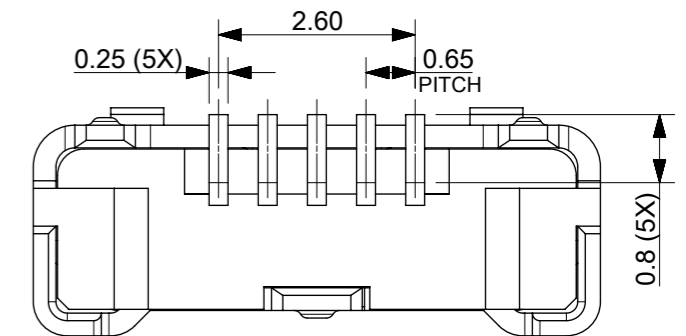
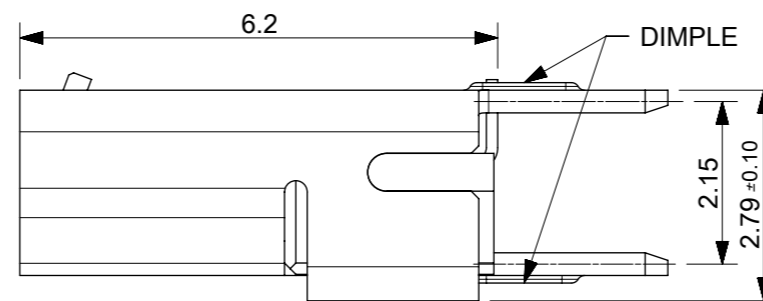
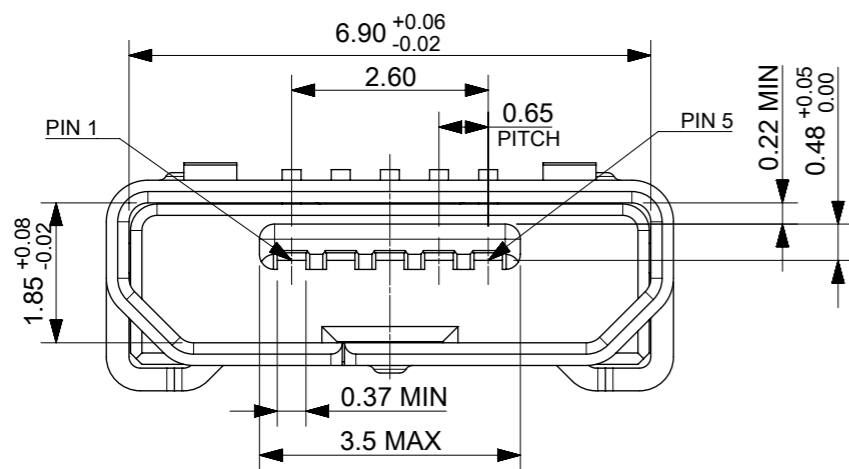
THIS DRAWING CONTAINS INFORMATION THAT IS PROPRIETARY TO MOLEX ELECTRONIC TECHNOLOGIES, LLC AND SHOULD NOT BE USED WITHOUT WRITTEN PERMISSION									
DIMENSION UNITS		SCALE		CURRENT REV DESC: ADD DIMPLE ON SHELL					
mm		NTS		<p>SALES DRAWING FOR USB, MICRO-B VERTICAL TYPE</p> <p>PRODUCT CUSTOMER DRAWING</p>					
GENERAL TOLERANCES (UNLESS SPECIFIED)									
ANGULAR TOL		± 3.0°							
4 PLACES		±							
3 PLACES		±							
2 PLACES		± 0.15							
1 PLACE		± 0.25							
0 PLACES		±							
DRAFT WHERE APPLICABLE MUST REMAIN WITHIN DIMENSIONS				THIRD ANGLE PROJECTION		DRAWING		SERIES	
						A3-SIZE		105133	
				MATERIAL NUMBER		CUSTOMER		SHEET NUMBER	
				SEE TABLE		GENERAL MARKET		1 OF 2	



RECOMMENDED PCB LAYOUT (THICKNESS: 1.6mm)
GENERAL TOLERANCE: ±0.05

PIN	NAME
5	GND
4	ID
3	D+
2	D-
1	VBUS

PIN ASSIGNMENT



105133-1001
PART NUMBER

NOTES:

- MATERIAL:
HOUSING & COVER: HIGH TEMPERATURE THERMOPLASTIC, BLACK, UL94V-0;
TERMINAL: COPPER ALLOY, THICKNESS: 0.15mm;
SHELL: STAINLESS STEEL, THICKNESS: 0.30mm.
- PLATING:
TERMINAL: CONTACT AREA: GOLD FLASH OVER MINIMUM 0.75 MICRON Pd/Ni;
SOLDER TAIL AREA: GOLD FLASH;
UNDER PLATING: NICKEL 2.0 MICRON MINIMUM.
SHELL: MATTE TIN 1.27 MICRON MINIMUM;
UNDER PLATING: NICKEL 1.27 MICRON MINIMUM.
- TAIL COPLANARITY 0.08mm MAXIMUM.
- PRODUCT SPECIFICATION: PS-105133-001.
- PACKAGE SPECIFICATION: PK-105133-011.
- COMPLIANT TO RoHS DIRECTIVE 2011/65/EU AND ELV 2000/53/EC.

THIS DRAWING CONTAINS INFORMATION THAT IS PROPRIETARY TO MOLEX ELECTRONIC TECHNOLOGIES, LLC AND SHOULD NOT BE USED WITHOUT WRITTEN PERMISSION		CURRENT REV DESC: ADD DIMPLE ON SHELL		molex	
DIMENSION UNITS	SCALE				
mm	NTS			PRODUCT CUSTOMER DRAWING	
GENERAL TOLERANCES (UNLESS SPECIFIED)		EC NO: 604725		DOCUMENT NUMBER	
ANGULAR TOL ± 3.0°		DRWN: XQZHANG 2018/09/20		SD-105133-001	
4 PLACES ±		CHK'D: AYIN 2019/04/09		DOC TYPE DOC PART REVISION	
3 PLACES ±		APPR: AYIN 2019/04/09		PSD 000 E	
2 PLACES ± 0.15		INITIAL REVISION:		MATERIAL NUMBER	
1 PLACE ± 0.25		DRWN: XQZHANG 2015/10/30		CUSTOMER	
0 PLACES ±		APPR: AYIN 2015/10/30		GENERAL MARKET	
DRAFT WHERE APPLICABLE MUST REMAIN WITHIN DIMENSIONS		THIRD ANGLE PROJECTION	DRAWING	SERIES	SHEET NUMBER
			A3-SIZE	105133	2 OF 2