

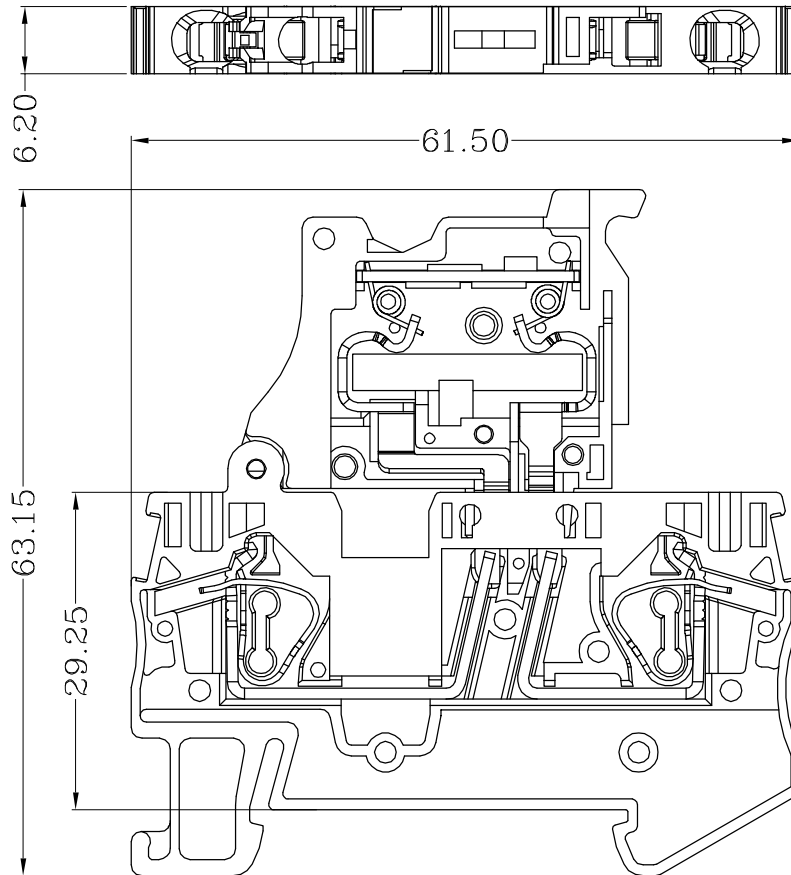


宁波速普电子有限公司

NINGBO SUPU ELECTRONICS.CO.,LTD

产品规格书

Product Specification



订货信息 Order Info

订货号 PART NUMBER	颜色 COLOR
TC4-FUSELED24-BK	黑色 Black

未标注公差参照GB/T14486

基本尺寸	0-3	>3-6	>6-10	>10-14	>14-18	>18-24	>24-30	>30-40	>40-50	>50-65	>65-80	>80-100	>100-120	>120-140
公差	±0.08	±0.09	±0.10	±0.12	±0.14	±0.16	±0.18	±0.21	±0.24	±0.28	±0.32	±0.36	±0.41	±0.46

IEC 额定数据/IEC Rated data			
接线范围/Wire range	0.2-6mm ²		
单股导线/Solid	0.2-6mm ²		
软导线/Stranded	0.2-4mm ²		
带端头软导线/Stranded with ferrules without plastic sleeve	0.2-4mm ²		
带预绝缘端头软导线/Stranded with ferrules with plastic sleeve	0.2-4mm ²		
剥线长度/Strip length	10mm		
LED电压/LED voltage	24V AC/DC		
LED电流/LED current	1.1mA		
额定电压/Rated voltage	24V (电压取决于指示灯)		
额定电流/Rated current	6.3A (电流取决于保险管)		
额定脉冲耐受电压/Rated surge voltage	4KV		
污染等级/Pollution degree	3		
过电压类别/Surge voltage category	III		
UL 额定数据/UL Rated data	B	C	D
额定电流/Rated current	10A	10A	-
额定电压/Rated voltage	300V	300V	-
接线范围/Wire range	24-10AWG		

其他信息/Other information	
塑件/Housing	PA66
触点材料/Contact	铜合金/Copper alloy
镀层/Coating	锡/Tin
阻燃等级/Flame retardant rating	V0
使用环境温度/Usage ambient temperture	-25℃ - +70℃
储存及运输环境温度/ Strrage ambient temperature	-40℃ - +85℃
导轨尺寸/rails Size	SP357.5/SP35X15
认证/Approval	

 单位/Unit mm	Rev. 01	Name
	TC4悬臂式保险管端子带发光二极管24VAC/DC TC4 lever-type fuse terminal block, with LED for 24V AC/DC	