



## 产品规格书

### PRODUCT SPECIFICATION

Customer:

Customer's part number:

Product description: GPS+GLONASS Satellite Positioning Antenna

Uni Link's part number:

Issue Date: 2017-5-26

Note:  $1575.42 \pm 2\text{MHz}$  /  $1602 \pm 2\text{MHz}$ , Connector

Customer Use		Customer's authorized signature	Remarks
Full approved			
Conditional approved			
Rejected			



深圳市雅诺讯科技有限公司

Shenzhen Yetnorson Technology Co., Ltd.

雅诺讯科技

[www.yanuoxxun.net](http://www.yanuoxxun.net)

第 1 页



1、 (PRODUCT TECHNICAL SPECIFICATION)

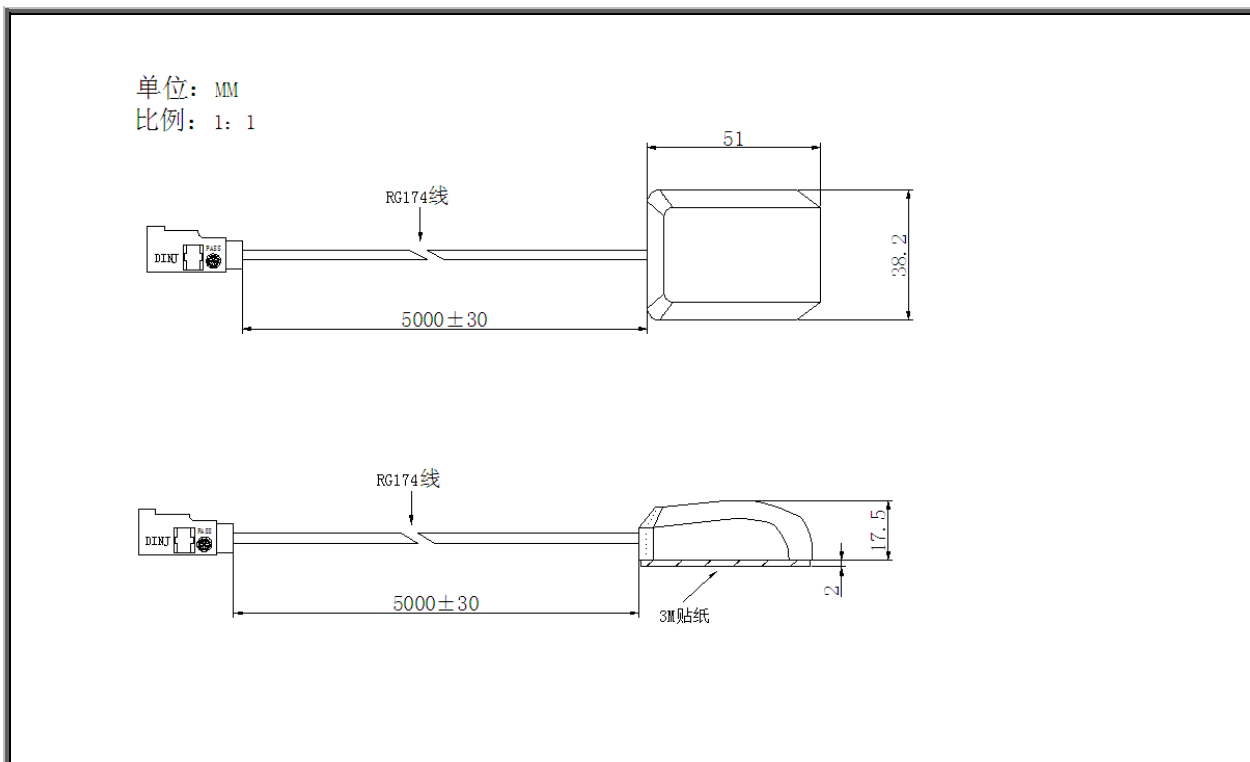
GPS+GLONASS Electrical Specification	
Center Frequency (MHz)	1575.42±2MHZ/1602±2MHZ
Bandwidth (MHz)	4HZ
Gain (dBi)	28B±3dB(LNA)
Input Impedence (Ω)	50Ω
V.S.W.R	≤2.5
Consumption Electric	<10mA
Polarization Intensity	R.H.C.P
Supply Voltage	DC2.5-3.6V
The Sound Coefficient	≤1dB
Axial Ratio	3dB
Max Input Power (w)	50
Operating Temperature	-40℃ ~ +85℃
Storing Temperature	-20℃ ~ +85℃
Cable length (mm)	5000
Connector Type	FAKRA J
Radome Color	Black
Weight (g)	82



## 2、产品图片 (PRODUCT PICTURE)

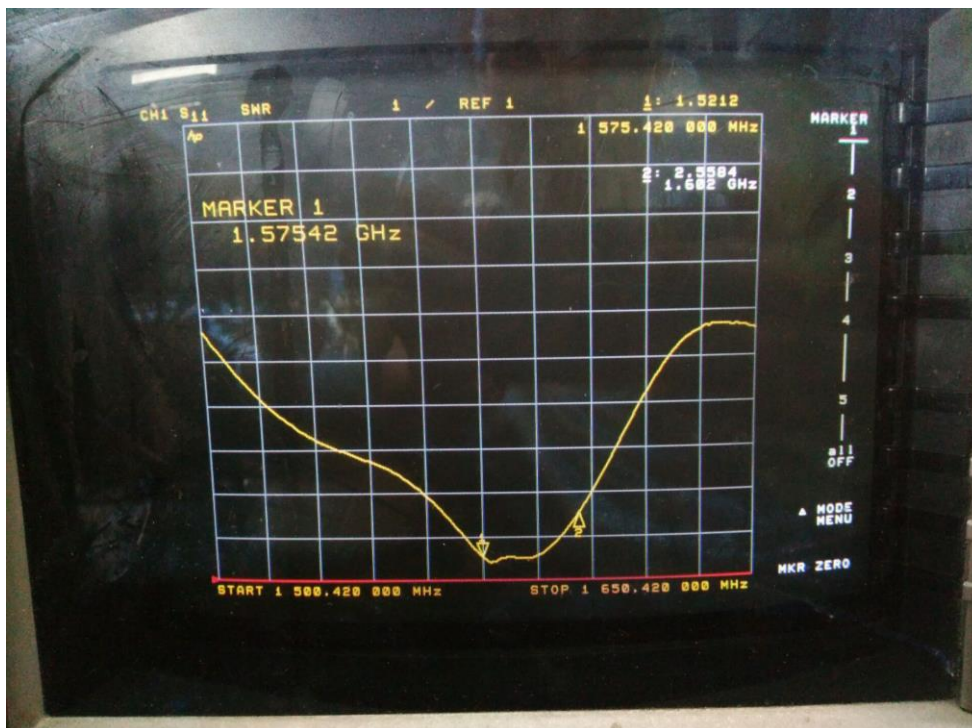


## 3、(PRODUCT SPECIFICATION CHART)

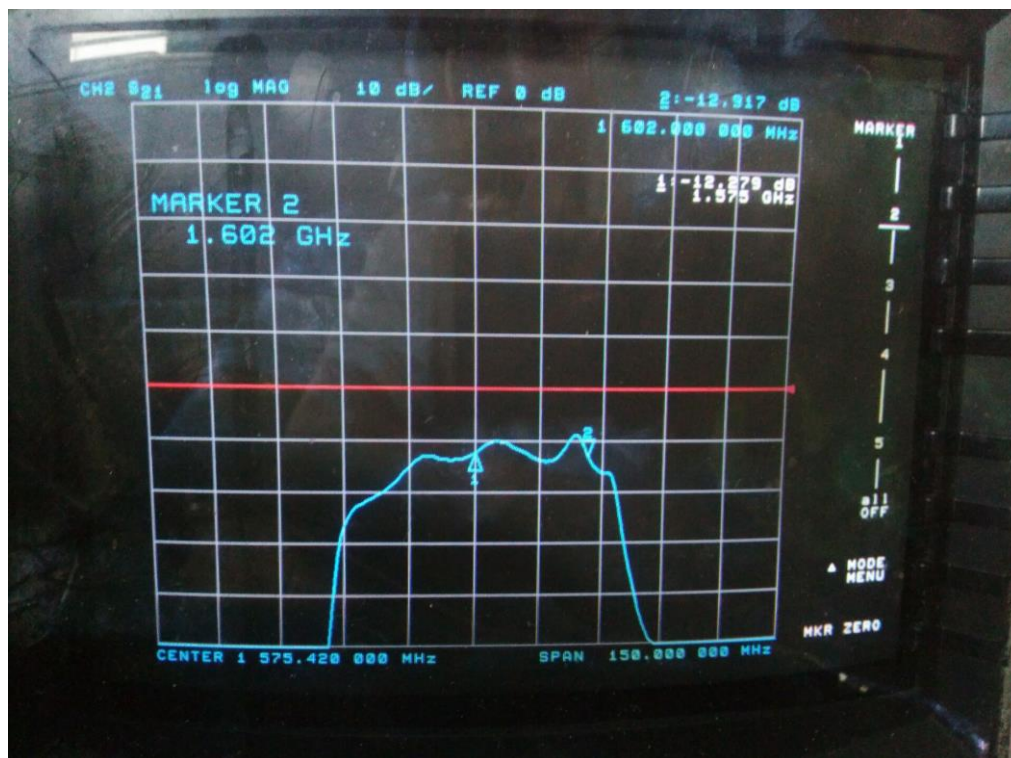




#### 4. GPS.GLONAS 驻波比测试图 (VSWR WAVE PATTERN)



#### 5:相对增益图 (RELATIVE GAIN)





### 6. GPS 收星效果测试(SETELLITE POSITIONING EFFECT)

