

## Data sheet

Commercial Art.No.: 05.543.7301.0

Male contact 2,5 QMM AU

Male contact, turned Ø 2,5 mm, 2,5 mm<sup>2</sup>, AWG 14, Au



Commercial Art.No.	05.543.7301.0
EAN	4015573677166
Order Unit	200

## Technical data

### General

Wire strip length	7 mm
Min. conductor cross section flexible wire	2.5 mm <sup>2</sup>
Max. conductor cross section flexible wire	2.5 mm <sup>2</sup>
Min. UL/CSA wire diameter flexible wire	14 AWG
Max. UL/CSA wire diameter flexible wire	14 AWG
Connection type	Crimp
Material	Brass
Massive contact	yes
Contact pin diameter	2.5 mm
Inflammability class of insulation material acc. with UL94	Other
Contact resistance	≤ 1.5 mOhm

### Classification

ECLASS 11	
ECLASS 8.1	27440204
ETIM 7.0	EC000796
ETIM 6.0	EC000796
ETIM 5.0	EC000796
ETIM 4.0	EC000796
ETIM 3.0	EC000796

### Product compliance

ROHS conformity status	Compliant/Exempted
ROHS exceptions	III-6(c)
REACH-SVHC conformity status	Duty-To-Declare
REACH-SVHC substances	Lead
REACH-SVHC CAS numbers	7439-92-1

## Accessories

<b>Commercial Art.No.:</b>	<b>Article-type description:</b>	<b>Description:</b>
05.502.2100.0	Crimping die B	Crimp dies for revos crimping tool, usable for crimp-contacts with a cross section of 0.14-1.0 mm <sup>2</sup> , 1.5 mm <sup>2</sup> , 2.5 mm <sup>2</sup> and 4.0 mm <sup>2</sup>
95.101.0800.0	Basic crimping tool .	Crimping tool kit
05.502.3500.0	Extraction tool 500/690V-SER.	Extraction tool for turned contacts with a diameter of 2.5 mm
05.502.3300.0	Contact positioner 3	Contact positioner 3

A

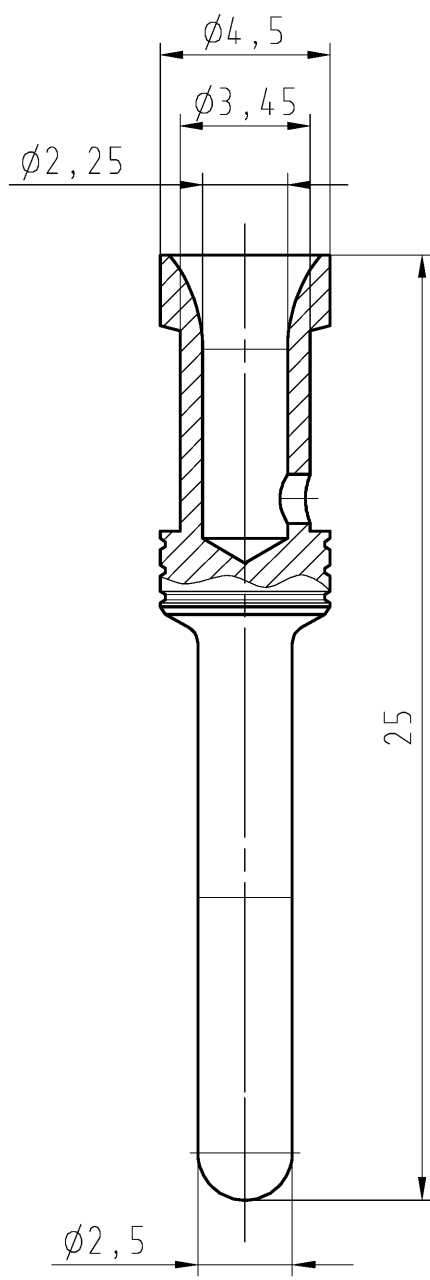
B

C

D

E

F



These dimensions will be especially checked at delivery  
 Only inspection dimensions  
 With /E marked dimensions are only valid for internal use

Diese Maße werden bei Abnahme besonders geprüft  
 Ausschließlich Prüfmaße  
 Mit /E gekennzeichnete Maße sind nur für interne Zwecke gültig

Weitergabe sowie Vervielfältigung dieses Dokuments, Verwertung und Mitteilung seines Inhalts sind verboten, soweit nicht ausdrücklich gestattet. Die Reproduktion, Distribution und Utilization of this document as well as the communication of its contents to others without express authorization is prohibited.

a

Part.-Nr.	Hergestellt aus/ produced from:	Oberfläche/surface
05.543.7321.0	05.543.7300.0	verzinkt/tin-plated
05.543.7302.0	05.543.7300.0	versilbert/silver-plated
05.543.7301.7	05.543.7300.0	vergoldet/gold-plated
05.543.7301.0	05.543.7300.0	vergoldet/gold-plated
05.543.7300.0		blank/metallic bright

Tolerierung nach DIN 7167/Tolerance system acc. to DIN 7167.  
 (This DIN-standard describes the envelope principle. According to the envelope principle the deviations of form and parallelism are limited by the size tolerances).

ja/yes  Stoffverbots- und Deklarationsliste nach UU-TQM-05/03 ist einzuhalten.  
 Conformity with Wieland document UU-TQM-05/03 (list of prohibited / declarable hazardous substances) to be declared!

Freitoleranz nach DIN 2768 - m

CAD - Zeichnung, keine manuellen Änderungen  
 CAD - drawing, no manual modifications allowed

1.Verwendung: Z5.543.7300.0  
 First Use:

Blatt: 1 von 1  
 Sheet: of

	/		Werkstoff/Material CuZn36Pb3	2005	Tag/Date	Name	Zeichnung Nr./Drawing No.	Index
	/			gezeichnet drawn	08.11.	Hoffmann		
	/	Maßstab/Scale 5:1		geprüft checked	-	-	T	05.543.7300.0 01K a
	/			Normgepr. Stand. check	-	-		
Maße in mm/Dimensions are in mm								
	/	Vol.	153 mm <sup>3</sup>	Of1./Surf.	330 mm <sup>2</sup>	Ersatz für/Replacement for: -		
	/		wieland	Type	Benennung/Title			
a	15.07.2015/			STECKER				
Index	Datum / Blatt Date / Sheet	mit Crimpanschluß 2,5 mm <sup>2</sup> male contact with crimp barrel 2,5 mm <sup>2</sup>						
Änderung/Revision		Elektrische Verbindungen						