

Data sheet

Commercial Art.No.: 90.031.0153.0

Device connector GST08I2LB WS

GST08i2 PCB mount, 2 pole, female, coding protection class II 250 V, 2,5 A, coding color white



Commercial Art.No.	90.031.0153.0
EAN	4049088365416
Order Unit	1

Certificates / Approvals



Technical data

Classification

ECLASS 11	
ECLASS 8.1	27440602
ETIM 7.0	EC002566
ETIM 6.0	EC002566
ETIM 5.0	EC002566
ETIM 4.0	EC002566

Material

Housing material	Polyamide
halogen free	yes
Contact material	CuZn
Fire load	0 kWh
Insulation components continuous temperature	90 °C
Surface finish	Tin-plated

Dimensions

Length	24.5 mm
Width	9.5 mm
Height	12 mm

Connection Data

Terminations per pole	1
-----------------------	---

General

Rated current	2.5 A
---------------	-------

Rated voltage	250 V
Pollution degree	2
Mechanical coding	Code 1
Rated impulse voltage	4 kV
Lockable	No
Color of coding/ contact carrier	white

Model

Model	female
Connection type	Soldering connection
Angle of plug	Square
Inclination	90 °
Degree of protection (IP)	IP20
built-in component	Soldering connection

Product compliance

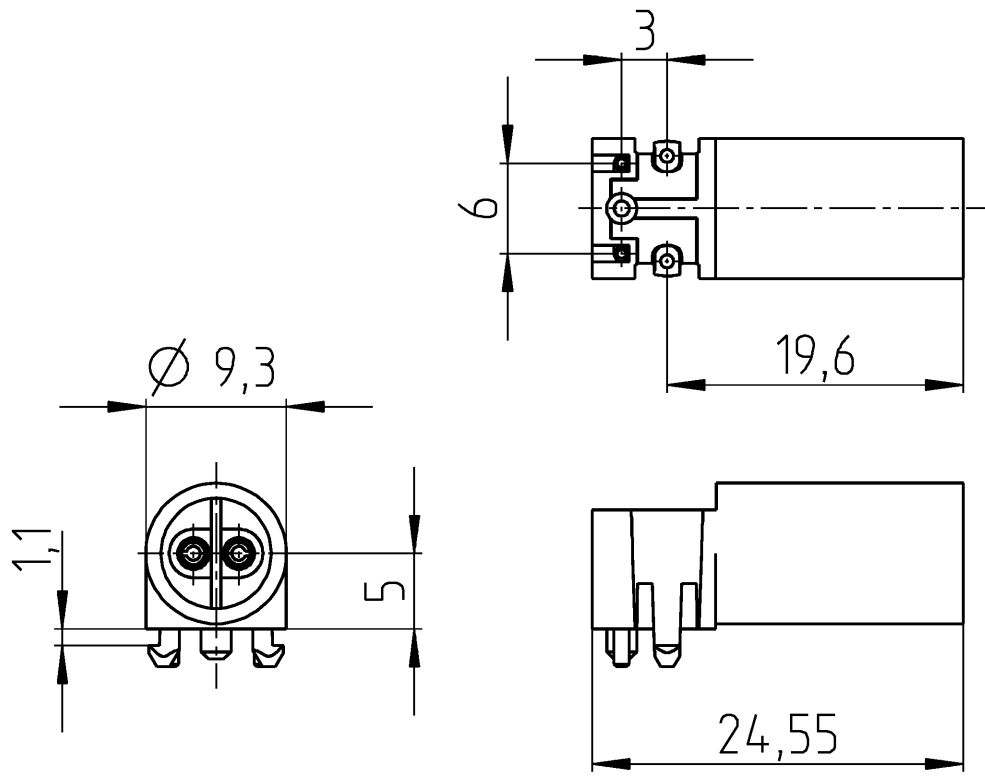
ROHS conformity status	Compliant
REACH-SVHC conformity status	Compliant

Fits with

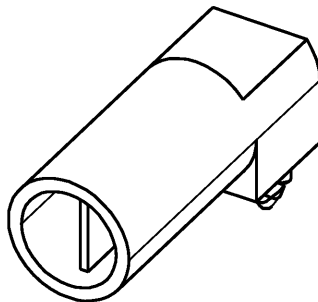
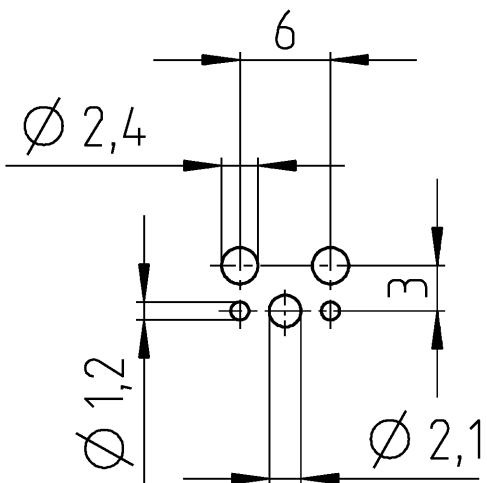
Commercial Art.No.:	Article-type description:	Description:
90.230.0524.2	Cable assembly GST08I2-S 75T 05WS	GST08i2 extension cable male - free end, length 0.5 m, 2 pole, coding protection class II 250 V, 2.5 A, coding color white, cable color white, cross section 0.75 mm ² , cable type H03V2V2H2-F
90.230.0544.2	Cable assembly GST08I2-S 75H 05WS	GST08i2 extension cable male - free end, length 0.5 m, 2 pole, coding protection class II 250 V, 2.5 A, coding color white, cable color white, cross section 0.75 mm ² , cable type H03Z1Z1H2-F
90.230.2024.2	Cable assembly GST08I2-S B75T 20WS	GST08i2 extension cable male - free end, length 2.0 m, 2 pole, coding protection class II 250 V, 2.5 A, coding color white, cable color white, cross section 0.75 mm ² , cable type H03V2V2H2-F
90.230.0624.1		GST08i2 extension cable male - free end, length 0.6 m, 2 pole, coding protection class II 250 V, 2.5 A, coding color white, cable color black, cross section 0.75 mm ² , cable type H03V2V2H2-F

A
 Weitergabe sowie Vervielfältigung dieses Dokuments, Verwertung und Mitteilung seines Inhalts, sind verboten, soweit nicht ausdrücklich gestattet.
 The reproduction, distribution and utilization of this document as well as the communication of its contents to others without express authorization is prohibited.

B
 These dimensions will be especially checked at delivery
 Only inspection dimensions
 With JE marked dimensions are only valid for internal use



Bohrbild/drilling plan



C
 Diese Maße werden bei Abnahme besonders geprüft
 Ausschließlich Prüfmaße
 Mit JE gekennzeichnete Maße sind nur für interne Zwecke gültig

Weitere Daten siehe KATALOG oder eKatalog
 additional data see CATALOG or eCATALOG
www.wieland-electric.com
eshop.wieland-electric.com

Tolerierung Size ISO 14405 (E) / Tolerance system Size ISO 14405 (E). (This ISO-standard describes the envelope principle. According to the envelope principle the deviations of form and parallelism are limited by the size tolerances). ja/yes Stoffverbots- und Deklarationsliste nach WN 5020.010 ist einzuhalten. (Conformity with Wieland document WN 5020.010 e (list of prohibited / declarable hazardous substances) to be declared!

Freitoleranz nach General tolerance CAD - Zeichnung, keine manuellen Änderungen CAD - drawing, no manual modifications allowed 1. Verwendung: First Use: Blatt: 1 von 1 Sheet: 1 of 1

/			Werkstoff / Material		Tag/Date	Name	Zeichnung Nr. / Drawing No.		Index
/					gezeichnet drawn	04.06.2018	Lunz S.	90.031.0153.0 13K	
/		Maßstab / Scale 2:1			geprüft checked		Maße in mm / Dimensions are in mm		
/					Normgepr. Stand. check				
/		Vol.	mm ³	Ofl./Srf.	mm ²	Ersatz für / Replacement for:			
/				Type	Benennung/Title				
/				GST0812		BUCHSENTEIL			
/				LB WS		für Leiterplattenmontage			
Index		Datum / Blatt Date / Sheet				für PCB mounting 250V 2,5A			
Änderung / Revision									