

**SMD LED LAMP**
**BL-LS0805PGC**
**Features:**

- ∅ 2.0mmx1.25mm SMD, 0.8mm THICKNESS
- ∅ Mono-color type, PURE GREEN
- ∅ Compatible with automatic placement equipment
- ∅ WIDE VIEWING ANGLE.
- ∅ IDEAL FOR BACKLIGHT AND INDICATOR.
- ∅ PACKAGE: 4KPCS/REEL
- ∅ RoHs Compliance


**Electrical-optical characteristics: (Ta=25°C) (Test Condition: IF=20mA)**

Part Number	Chip			Lens Type	Forward Voltage(VF) Unit:V		Luminous Intensity (Iv) Unit:mcd		Viewing Angle 2θ/2 (deg)
	Emitted Color	Material	λp (nm)		Typ	Max	Min.	Typ.	
					BL-LS0805PGC	Ultra Pure Green	InGaN	525	

**Absolute maximum ratings (Ta=25°C)**

Parameter	Pure Green	Unit
Forward Current I <sub>F</sub>	30	mA
Power Dissipation P <sub>d</sub>	78	mW
Reverse Voltage V <sub>R</sub>	5	V
Peak Forward Current I <sub>PF</sub> (Duty 1/10 @1KHZ)	100	mA
Operation Temperature T <sub>OPR</sub>	-30 to +80	°C
Storage Temperature T <sub>STG</sub>	-40 to +85	°C
Lead Soldering Temperature T <sub>SOL</sub>	Max.260±5°C for 3 sec Max. (1.6mm from the base of the epoxy bulb)	°C

**SMD LED LAMP**

**BL-LS0805PGC**

∅ **Bin Specification**

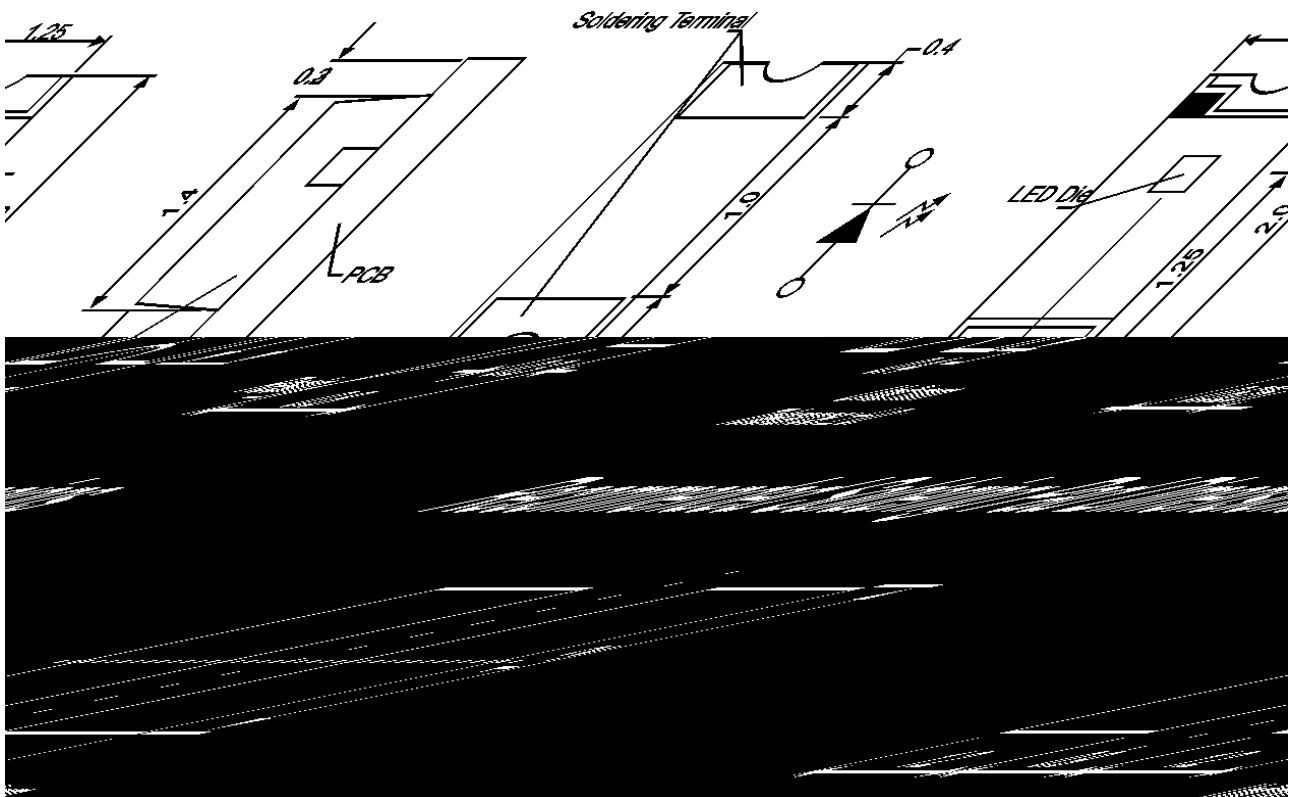
Luminous Intensity Ranks (mcd)		
Brightness BIN Code	Range	
	Min	Max
B01	50	80
B02	80	120
B03		
B04		
B05		
Forward Voltage Ranks (V)		
Voltage BIN Code	Range	
	Min	Max
V01	3.0	3.2
V02	3.2	3.4
V03	3.4	3.6
V04	3.6	3.7
Dominant Wavelength Ranks (nm)		
Wavelength BIN Code	Range	
	Min	Max
G01	520	523
G02	523	526
G03	526	529

Package configuration & Internal circuit diagram

*BL-LS0805 Series*

*Package Outline Drawing*

*Pack.*



Notes:

2. All dimensions are in millimeters (inches)
3. Tolerance is  $\pm 0.25(0.01)$  unless otherwise noted.
4. Specifications are subject to change without notice.

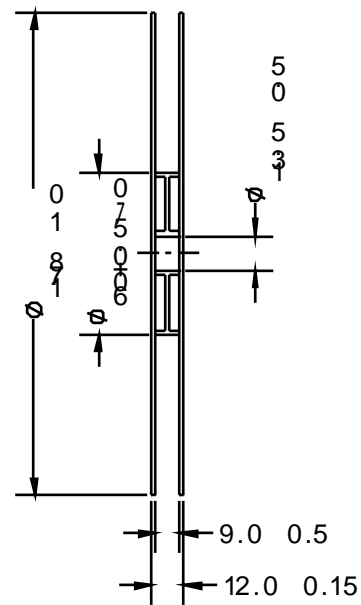
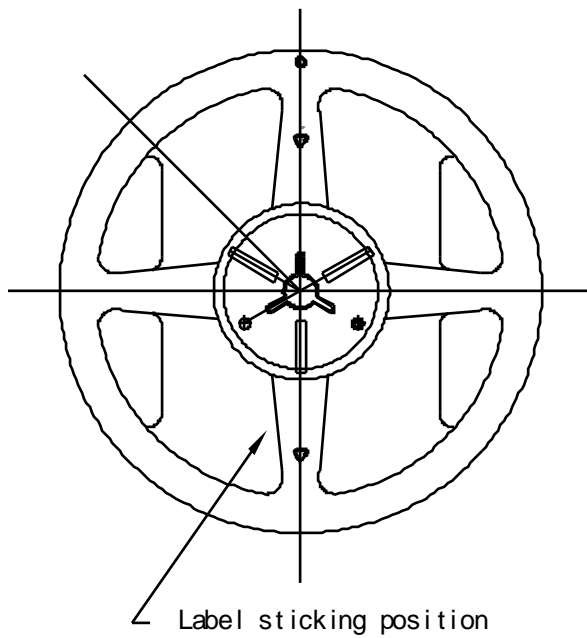
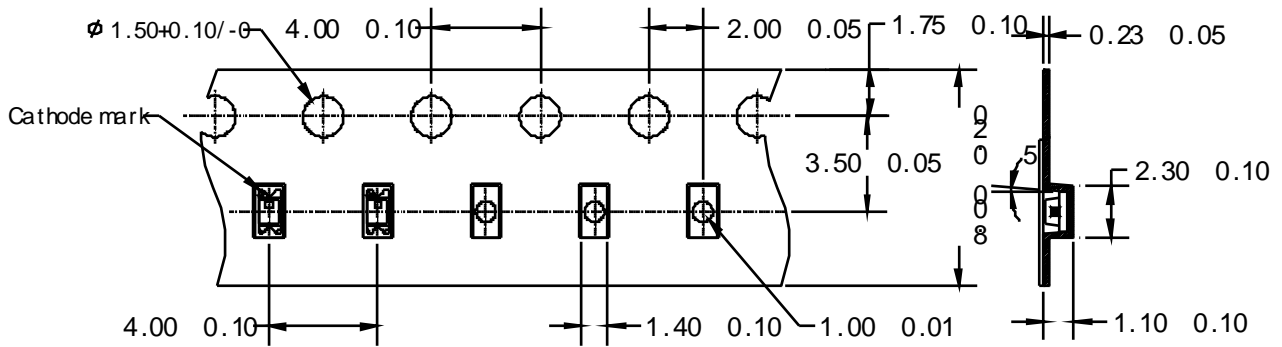
**SMD LED LAMP**

BL-LS0805PGC

**Tape Specifications**

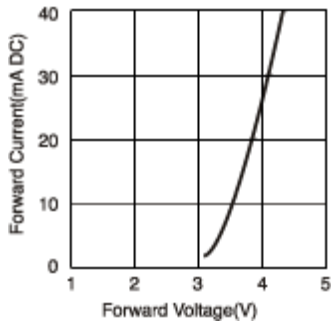
Unit: mm

Tolerance: 0.1

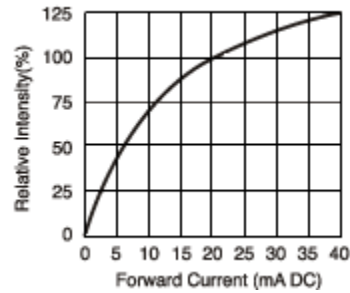


Typical electrical-optical characteristics curves:

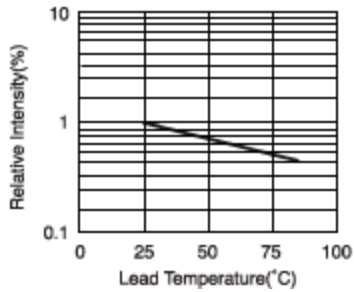
FORWARD VOLTAGE vs. FORWARD CUR



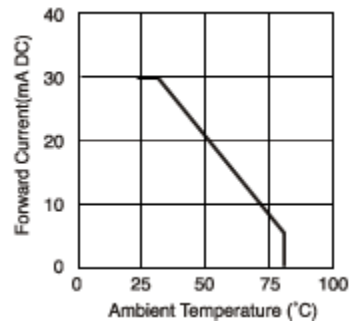
RELATIVE INTENSITY vs. FORWARD CURRENT



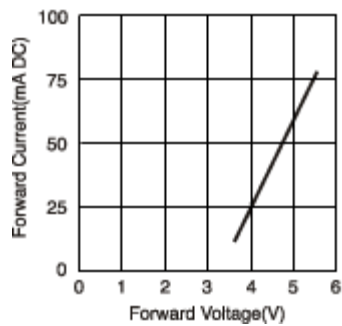
RELATIVE INTENSITY vs. LEAD TEMPERATURE  
(PULSED 20 mA; 300µs PULSE, 10ms PERIOD)



FORWARD CURRENT vs. AMBIENT TEMPERATURE



PEAK FORWARD vs. FORWARD CURRENT  
(100µs TEST PULSE, 1% DUTY CYCLE)



**SMD LED LAMP**

**BL-LS0805PGC**

**Packing and weighting**

