

THIS DRAWING IS UNPUBLISHED.

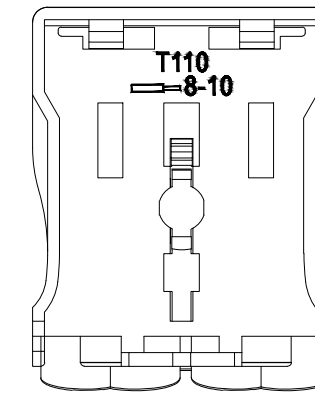
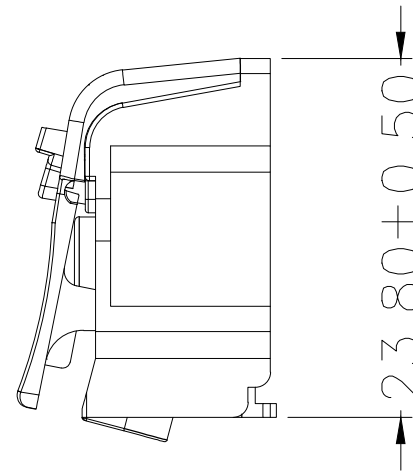
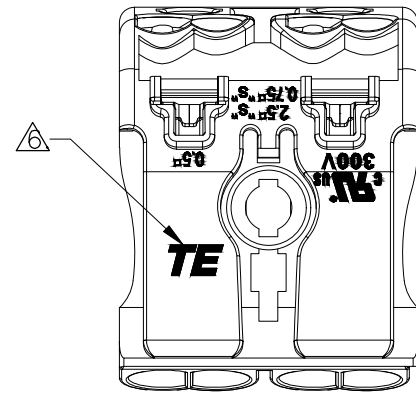
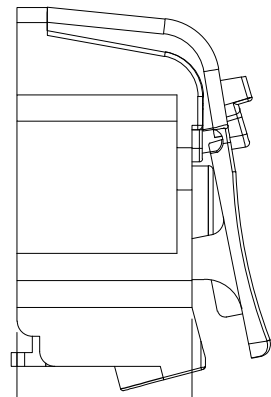
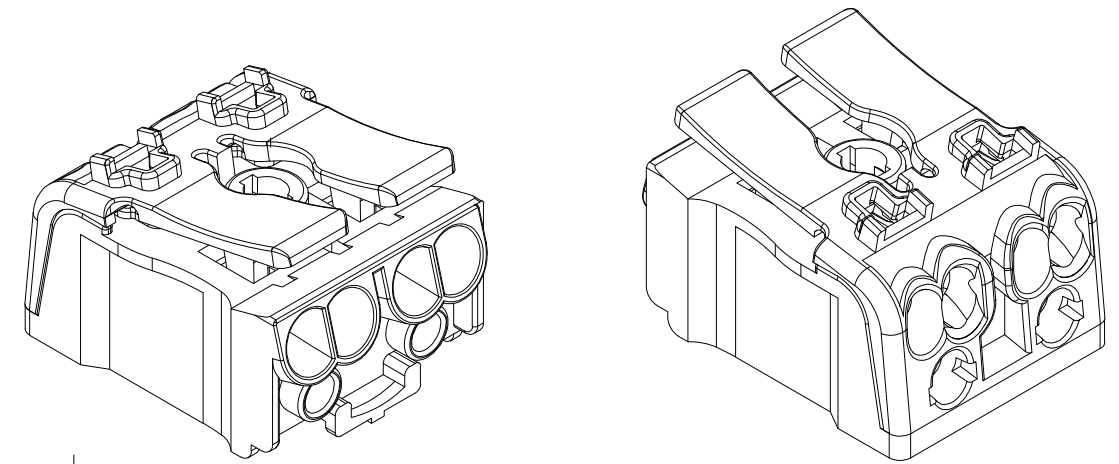
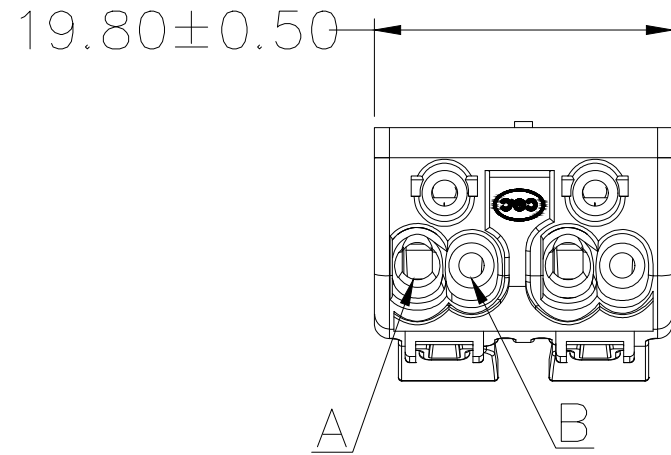
RELEASED FOR PUBLICATION

© COPYRIGHT - By -

ALL RIGHTS RESERVED.

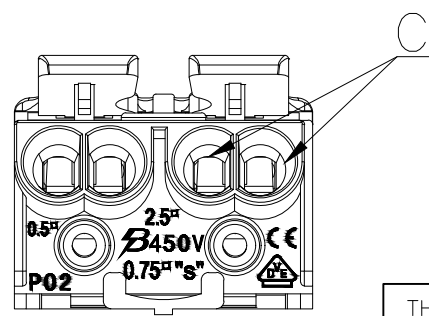
REVISIONS

P	LTR	DESCRIPTION	DATE	DWN	APVD
	C	ADD NEW PN 2-2834242-9	12APR2018	Z.W	S.M



- NOTE:
- PART NUMBER: SEE TABLE.
 - MATERIAL:
TERMINAL: BRASS & STAINLESS STEEL SPRING.
HOUSING: PA UL94-V2 & PC UL94-V2.
 - FINISH
TERMINAL: NICKEL PLATED.
 - PACKAGING: PLASTIC BAG.
 - APPLICABLE WIRE:
A:0.5-2.5MM²,20-14AWG SOLID WIRE ONLY.
B:0.5-1.5MM²,20-16AWG SOLID WIRE ONLY.
C:0.5-2.5MM²,20-14AWG SOLID OR STRANDED WIRE.
- △ LOGO MARK APPROXIMATION LOCATION.

2-2834242-1	WHITE
PART NUMBER	PART COLOR



THIS DRAWING IS A CONTROLLED DOCUMENT.

DIMENSIONS:	TOLERANCES UNLESS OTHERWISE SPECIFIED:
mm	
	0 PLC ± 1
	1 PLC ± 1
	2 PLC ± 1
	3 PLC ± 1
	4 PLC ± 1
	ANGLES ± 5
MATERIAL	FINISH
-	-

DWN	ZHANG WEI	12DEC2016
CHK	SHI MING	12DEC2016
APVD	XU XIANG	12DEC2016
PRODUCT SPEC	108-137270	
APPLICATION SPEC	114-137270	
WEIGHT	5.33g	
CUSTOMER DRAWING		

TE Connectivity			NAME	
			PUSH WIRE CONNECTOR	
SIZE	CAGE CODE	DRAWING NO	RESTRICTED TO	
A3	00779	C-2834242	-	
SCALE			SHEET	REV
2:1			1 of 38	C

THIS DRAWING IS UNPUBLISHED.

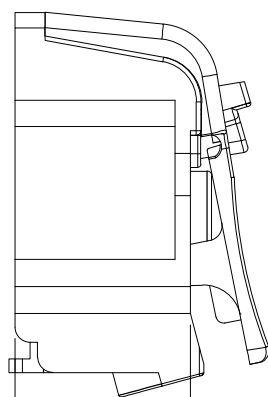
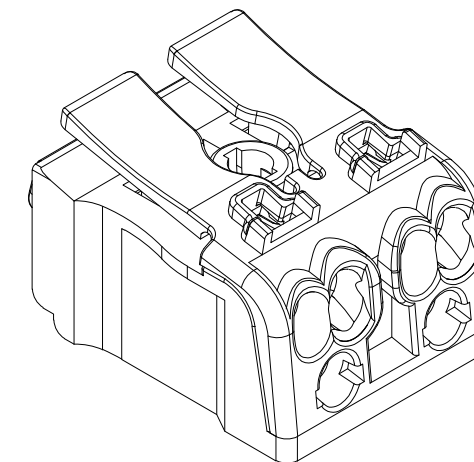
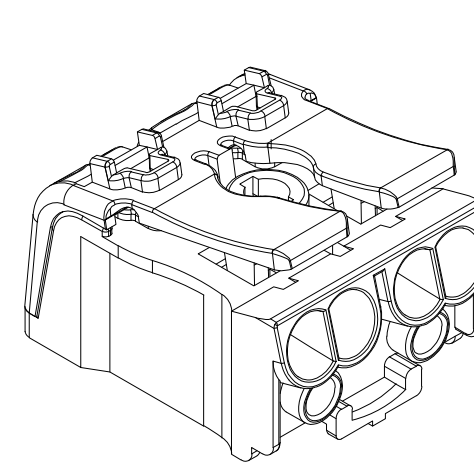
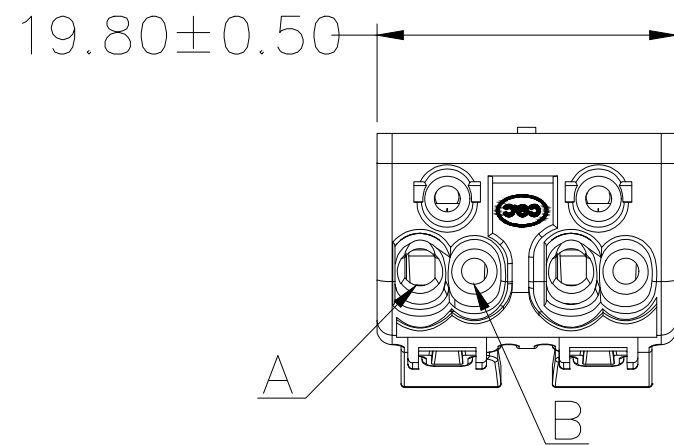
RELEASED FOR PUBLICATION

ALL RIGHTS RESERVED.

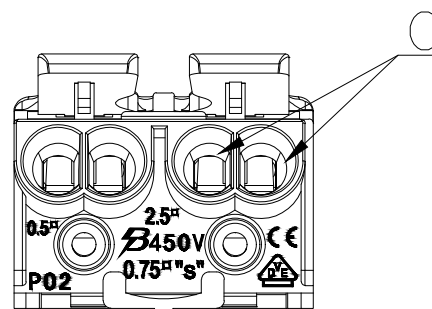
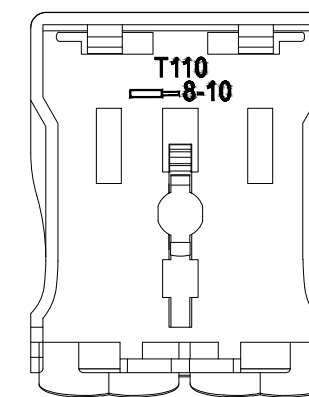
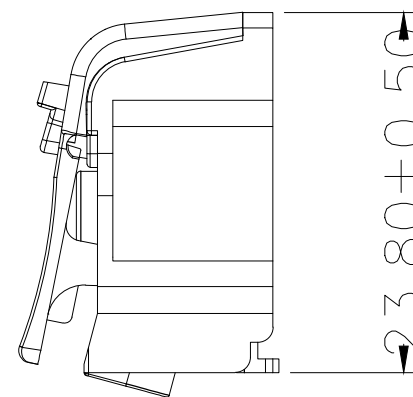
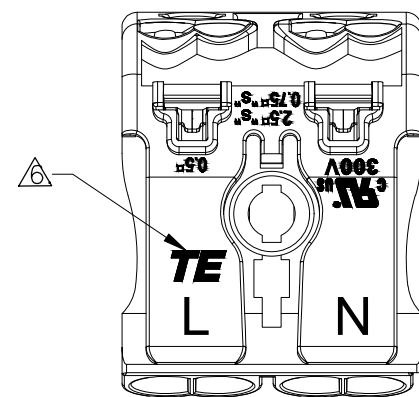
© COPYRIGHT - By -

REVISIONS

P	LTR	DESCRIPTION	DATE	DWN	APVD
-	-	SEE SHEET 1	-	-	-





11.60 ± 0.30



NOTE:

- PART NUMBER: SEE TABLE.
 - MATERIAL:
TERMINAL: BRASS & STAINLESS STEEL SPRING.
HOUSING: PA UL94-V2 & PC UL94-V2.
 - FINISH
TERMINAL: NICKEL PLATED.
 - PACKAGING: PLASTIC BAG.
 - APPLICABLE WIRE:
A: 0.5-2.5MM², 20-14AWG SOLID WIRE ONLY.
B: 0.5-1.5MM², 20-16AWG SOLID WIRE ONLY.
C: 0.5-2.5MM², 20-14AWG SOLID OR STRANDED WIRE.
- △ LOGO MARK APPROXIMATION LOCATION.

2-2834242-2	WHITE
PART NUMBER	PART COLOR

THIS DRAWING IS A CONTROLLED DOCUMENT.		DWN	ZHANG WEI	12DEC2016	 TE Connectivity
DIMENSIONS:		CHK	SHI MING	12DEC2016	
mm		APVD	XU XIANG	12DEC2016	
		PRODUCT SPEC	108-137270		
TOLERANCES UNLESS OTHERWISE SPECIFIED:		APPLICATION SPEC	114-137270		
0 PLC ± 1 1 PLC ± 1 2 PLC ± 1 3 PLC ± 1 4 PLC ± 1 ANGLES ± 5		WEIGHT	5.33g		
MATERIAL		CUSTOMER DRAWING		SCALE	2:1
				SHEET	2 OF 38
				REV	C

THIS DRAWING IS UNPUBLISHED.

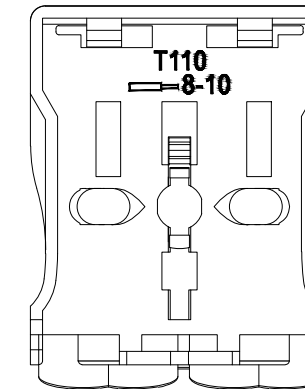
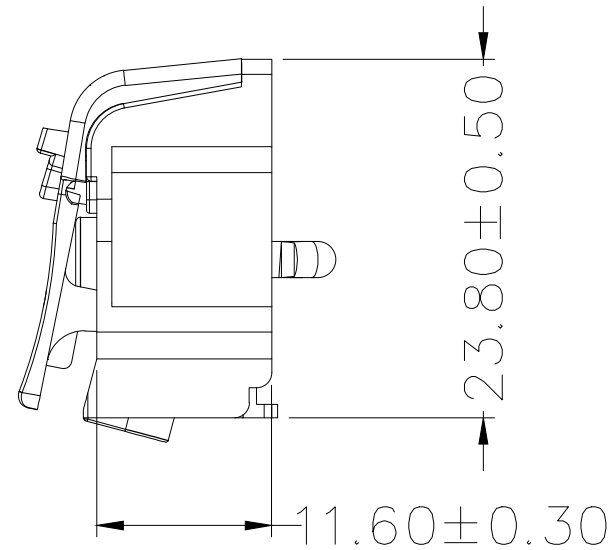
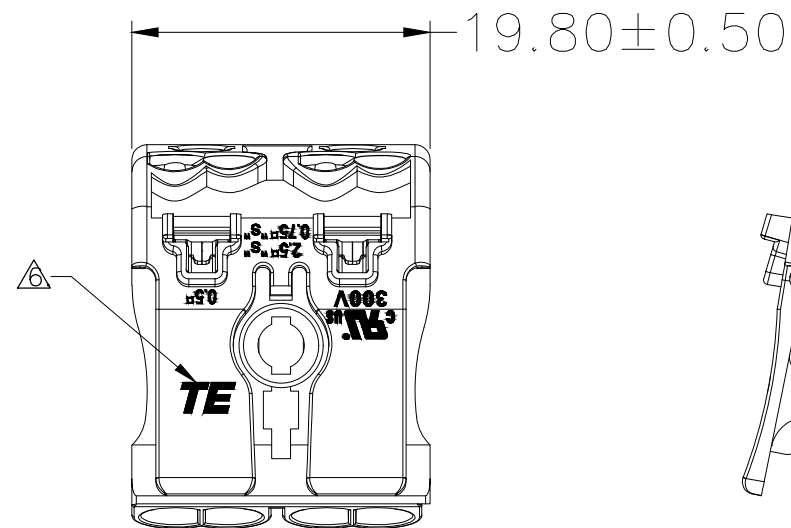
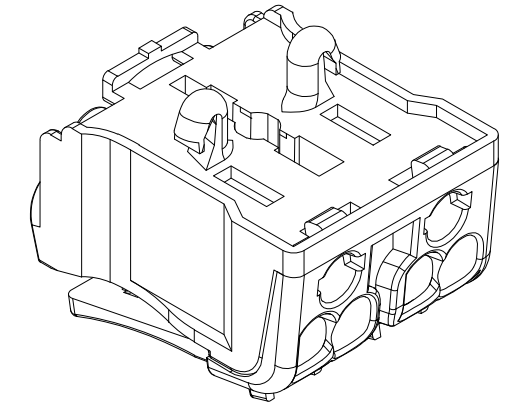
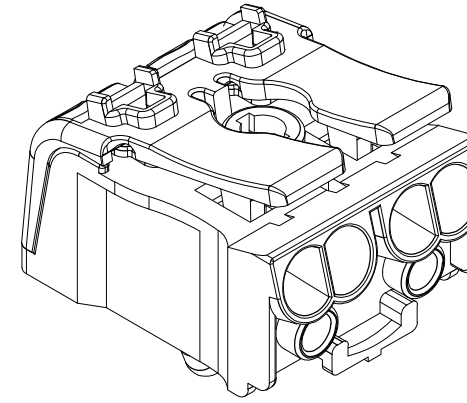
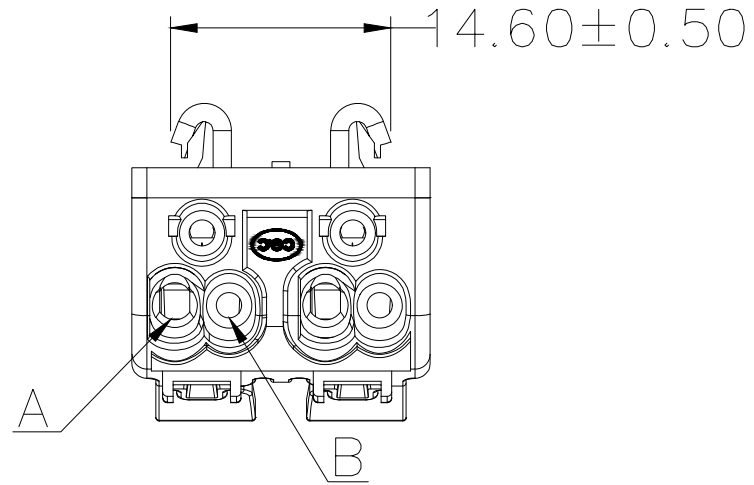
RELEASED FOR PUBLICATION

ALL RIGHTS RESERVED.

© COPYRIGHT - By -

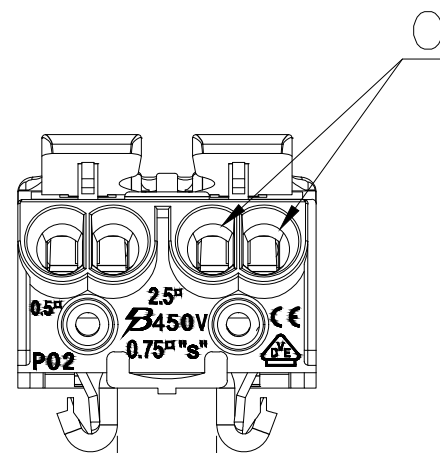
REVISIONS

P	LTR	DESCRIPTION	DATE	DWN	APVD
-	-	SEE SHEET 1	-	-	-




NOTE:

- PART NUMBER: SEE TABLE.
 - MATERIAL:
TERMINAL: BRASS & STAINLESS STEEL SPRING.
HOUSING: PA UL94-V2 & PC UL94-V2.
 - FINISH
TERMINAL: NICKEL PLATED.
 - PACKAGING: PLASTIC BAG.
 - APPLICABLE WIRE:
A:0.5-2.5MM²,20-14AWG SOLID WIRE ONLY.
B:0.5-1.5MM²,20-16AWG SOLID WIRE ONLY.
C:0.5-2.5MM²,20-14AWG SOLID OR STRANDED WIRE.
- △ LOGO MARK APPROXIMATION LOCATION.



6.60±0.50

THIS DRAWING IS A CONTROLLED DOCUMENT.		DWN ZHANG WEI 12DEC2016	 TE Connectivity														
DIMENSIONS: mm		CHK SHI MING 12DEC2016															
TOLERANCES UNLESS OTHERWISE SPECIFIED:		APVD XU XIANG 12DEC2016	NAME PUSH WIRE CONNECTOR														
<table border="1"> <tr><td>0 PLC</td><td>± 1</td></tr> <tr><td>1 PLC</td><td>± 1</td></tr> <tr><td>2 PLC</td><td>± 1</td></tr> <tr><td>3 PLC</td><td>± 1</td></tr> <tr><td>4 PLC</td><td>± 1</td></tr> <tr><td>ANGLES</td><td>± 5</td></tr> </table>		0 PLC	± 1	1 PLC	± 1	2 PLC	± 1	3 PLC	± 1	4 PLC	± 1	ANGLES	± 5	PRODUCT SPEC 108-137270	RESTRICTED TO		
0 PLC	± 1																
1 PLC	± 1																
2 PLC	± 1																
3 PLC	± 1																
4 PLC	± 1																
ANGLES	± 5																
MATERIAL		APPLICATION SPEC 114-137270	SIZE A3	CAGE CODE 00779	DRAWING NO C-2834242												
FINISH		WEIGHT 5.37g	SCALE 2:1														
		CUSTOMER DRAWING	SHEET 3 of 38														
			REV C														

THIS DRAWING IS UNPUBLISHED.

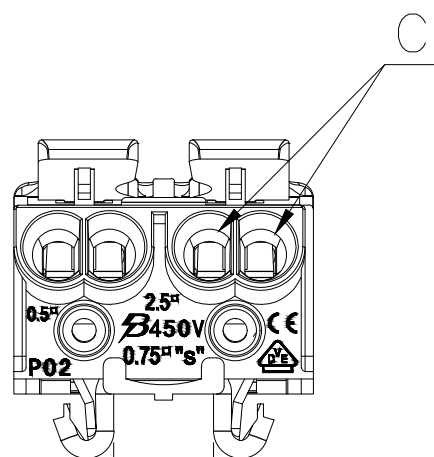
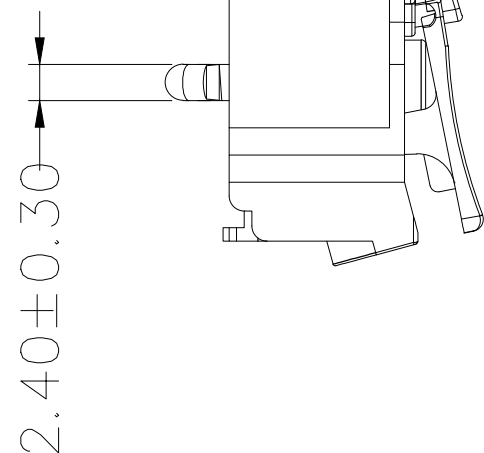
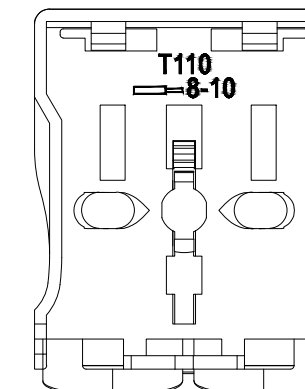
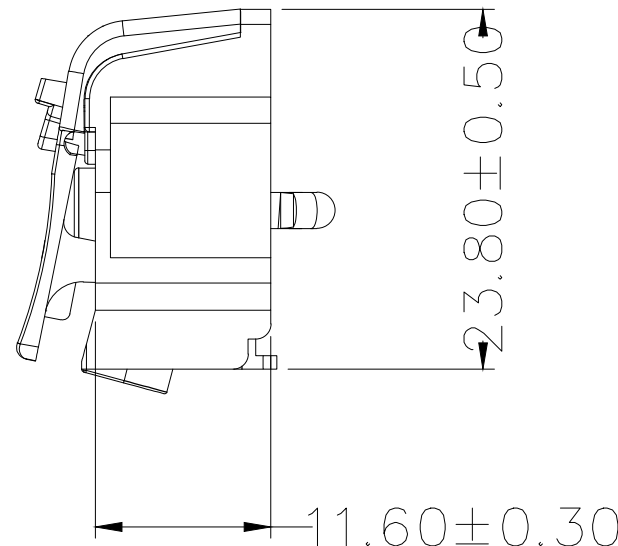
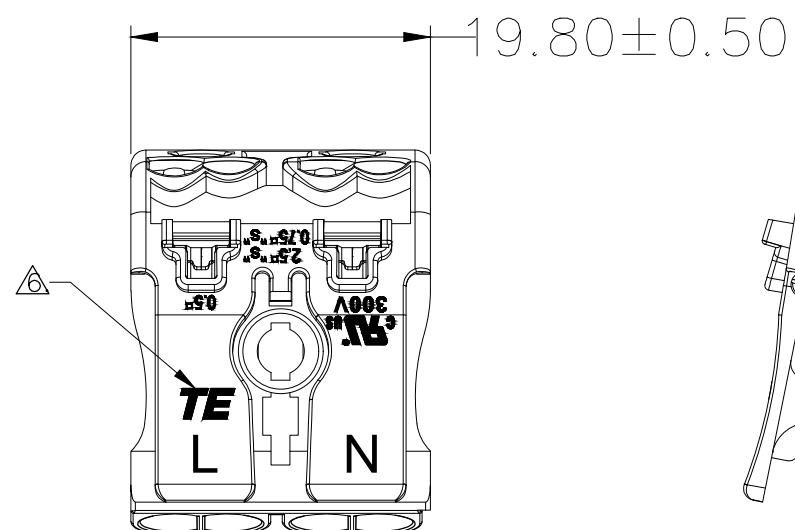
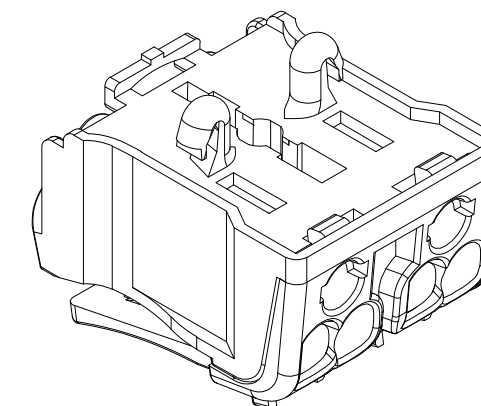
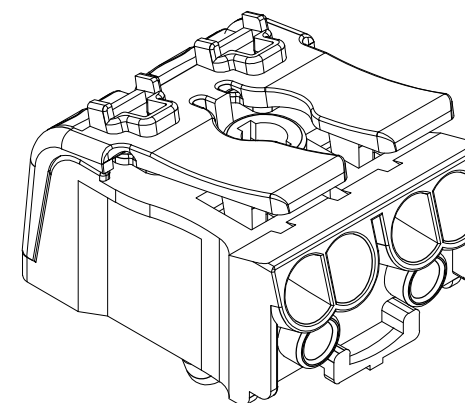
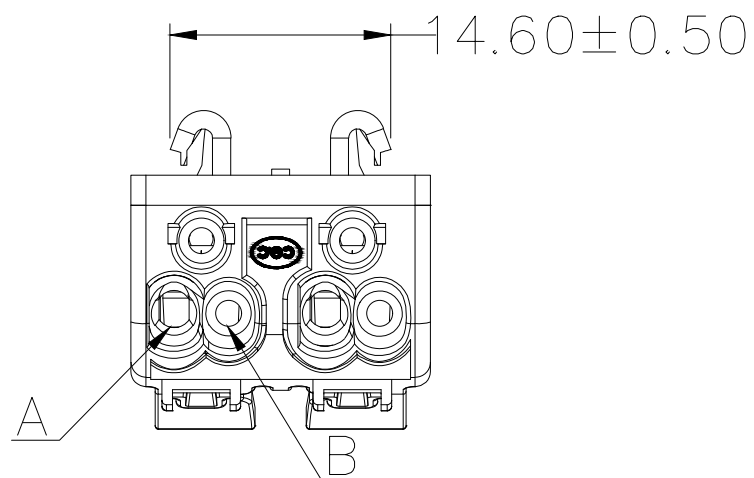
RELEASED FOR PUBLICATION

ALL RIGHTS RESERVED.

© COPYRIGHT - By -

REVISIONS


P	LTR	DESCRIPTION	DATE	DWN	APVD
-	-	SEE SHEET 1	-	-	-



NOTE:

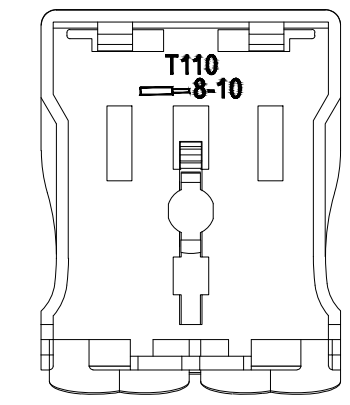
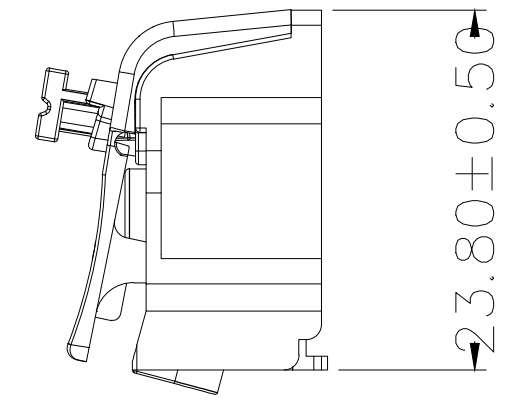
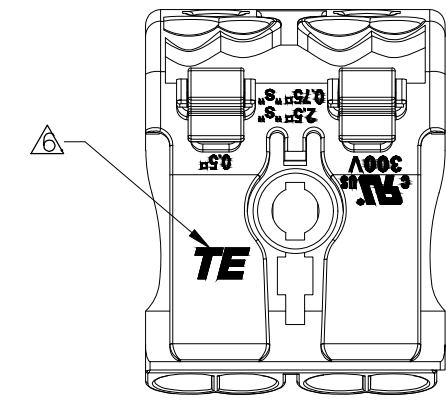
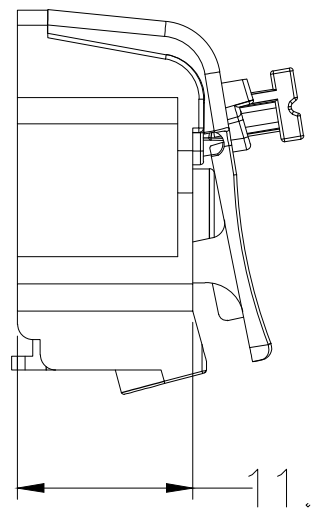
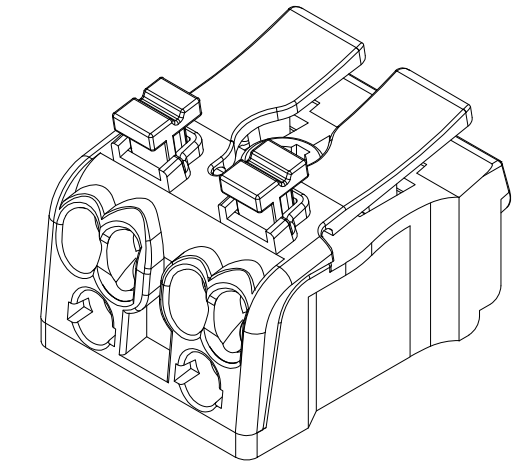
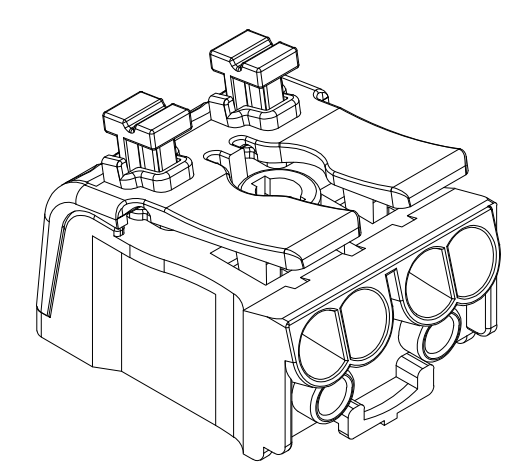
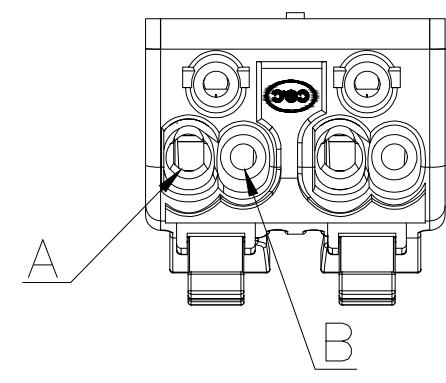
- PART NUMBER: SEE TABLE.
 - MATERIAL:
TERMINAL: BRASS & STAINLESS STEEL SPRING.
HOUSING: PA UL94-V2 & PC UL94-V2.
 - FINISH
TERMINAL: NICKEL PLATED.
 - PACKAGING: PLASTIC BAG.
 - APPLICABLE WIRE:
A: 0.5-2.5MM², 20-14AWG SOLID WIRE ONLY.
B: 0.5-1.5MM², 20-16AWG SOLID WIRE ONLY.
C: 0.5-2.5MM², 20-14AWG SOLID OR STRANDED WIRE.
- ⚠ LOGO MARK APPROXIMATION LOCATION.

2-2834242-4	WHITE
PART NUMBER	PART COLOR

THIS DRAWING IS A CONTROLLED DOCUMENT.		DWN	ZHANG WEI	12DEC2016	 TE Connectivity											
DIMENSIONS: mm		CHK	SHI MING	12DEC2016												
TOLERANCES UNLESS OTHERWISE SPECIFIED:		APVD	XU XIANG	12DEC2016												
<table border="1"> <tr><td>0 PLC</td><td>± 1</td></tr> <tr><td>1 PLC</td><td>± 1</td></tr> <tr><td>2 PLC</td><td>± 1</td></tr> <tr><td>3 PLC</td><td>± 1</td></tr> <tr><td>4 PLC</td><td>± 1</td></tr> <tr><td>ANGLES</td><td>± 5</td></tr> </table>		0 PLC	± 1	1 PLC		± 1	2 PLC	± 1	3 PLC	± 1	4 PLC	± 1	ANGLES	± 5	NAME	PUSH WIRE CONNECTOR
0 PLC	± 1															
1 PLC	± 1															
2 PLC	± 1															
3 PLC	± 1															
4 PLC	± 1															
ANGLES	± 5															
MATERIAL		PRODUCT SPEC	108-137270		SIZE	CAGE CODE	DRAWING NO	RESTRICTED TO								
-		FINISH	-		114-137270	A300779	C-2834242	-								
-		CUSTOMER DRAWING		WEIGHT	5.37g		SCALE	2:1								
-		-		SHEET		4 OF 38		REV								
-		-		-		-		C								

THIS DRAWING IS UNPUBLISHED. RELEASED FOR PUBLICATION
 © COPYRIGHT - By - ALL RIGHTS RESERVED.

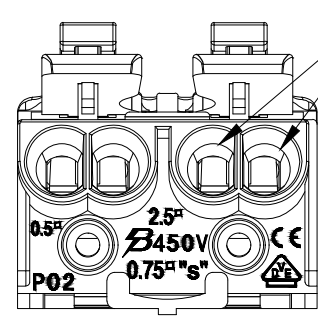
REVISIONS					
P	LTR	DESCRIPTION	DATE	DWN	APVD
-	-	SEE SHEET 1	-	-	-



11.60 ± 0.30

NOTE:

- PART NUMBER: SEE TABLE.
 - MATERIAL:
 TERMINAL: BRASS & STAINLESS STEEL SPRING.
 HOUSING: PA UL94-V2 & PC UL94-V2.
 - FINISH
 TERMINAL: NICKEL PLATED.
 - PACKAGING: PLASTIC BAG.
 - APPLICABLE WIRE:
 A: 0.5-2.5MM², 20-14AWG SOLID WIRE.
 0.5-1.5MM², 20-16AWG TIN-DIPPED OR WELL FERRULED STRANDED WIRE.
 B: 0.5-1.5MM², 20-16AWG SOLID WIRE.
 0.5-0.75MM², 20-18AWG TIN-DIPPED OR WELL FERRULED STRANDED WIRE.
 C: 0.5-2.5MM², 20-14AWG SOLID OR STRANDED WIRE.
- △ LOGO MARK APPROXIMATION LOCATION.



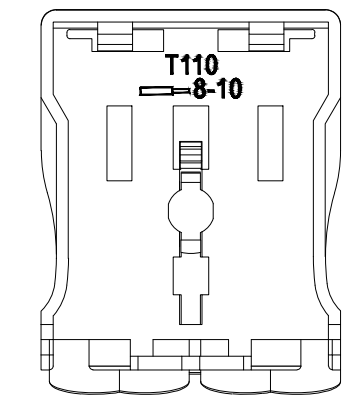
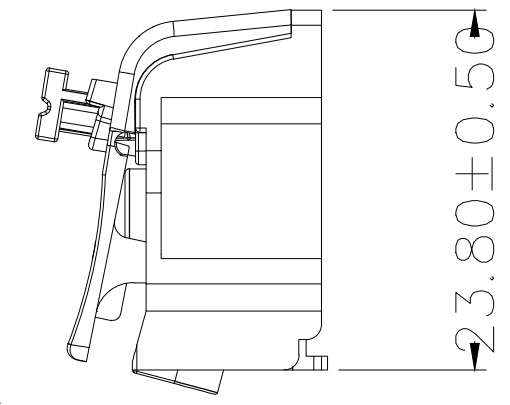
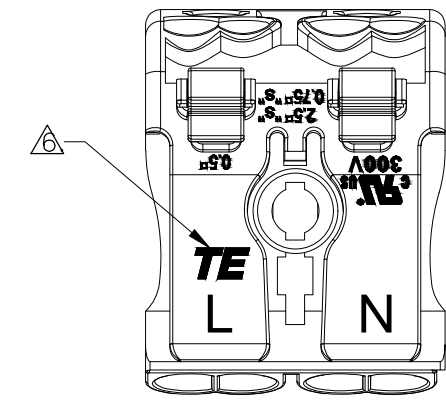
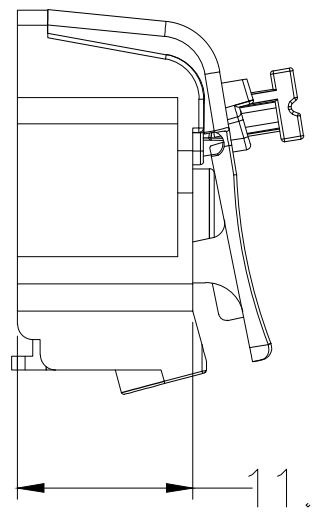
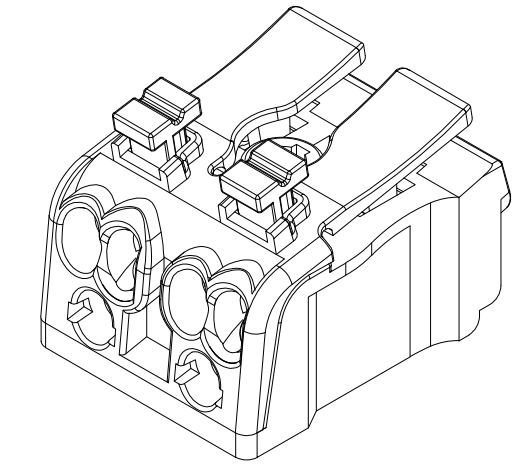
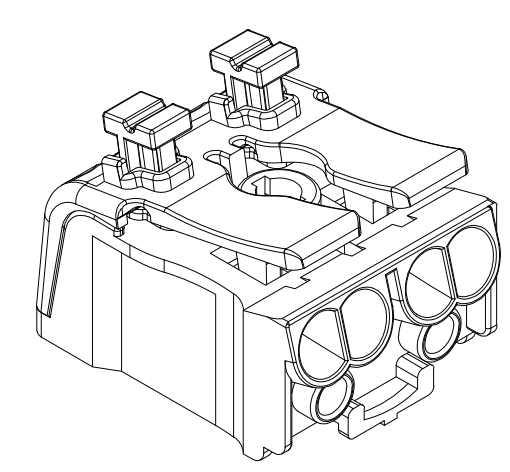
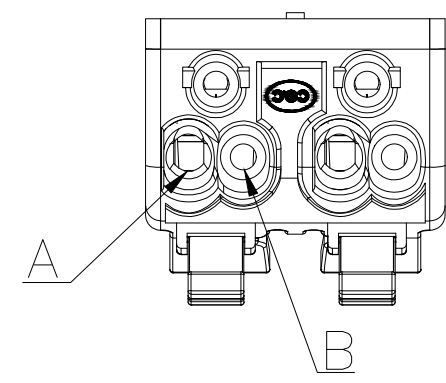
19.80 ± 0.50

2-2834242-5	WHITE
PART NUMBER	PART COLOR

THIS DRAWING IS A CONTROLLED DOCUMENT.		DWN	12DEC2016	TE Connectivity	
		CHK	12DEC2016		
		APVD	12DEC2016		
		APVD	12DEC2016		
DIMENSIONS:		TOLERANCES UNLESS OTHERWISE SPECIFIED:		NAME	
mm				PUSH WIRE CONNECTOR	
		0 PLC	± 1	PRODUCT SPEC	
		1 PLC	± 1	108-137270	
		2 PLC	± 1	APPLICATION SPEC	
		3 PLC	± 1	114-137270	
		4 PLC	± 1	SIZE	CAGE CODE
		ANGLES	± 5	DRAWING NO	
MATERIAL		FINISH		RESTRICTED TO	
-		-		-	
CUSTOMER DRAWING				WEIGHT	5.46g
				SIZE	A3
				CAGE CODE	00779
				DRAWING NO	C-2834242
				SCALE	2:1
				SHEET	5 OF 38
				REV	C

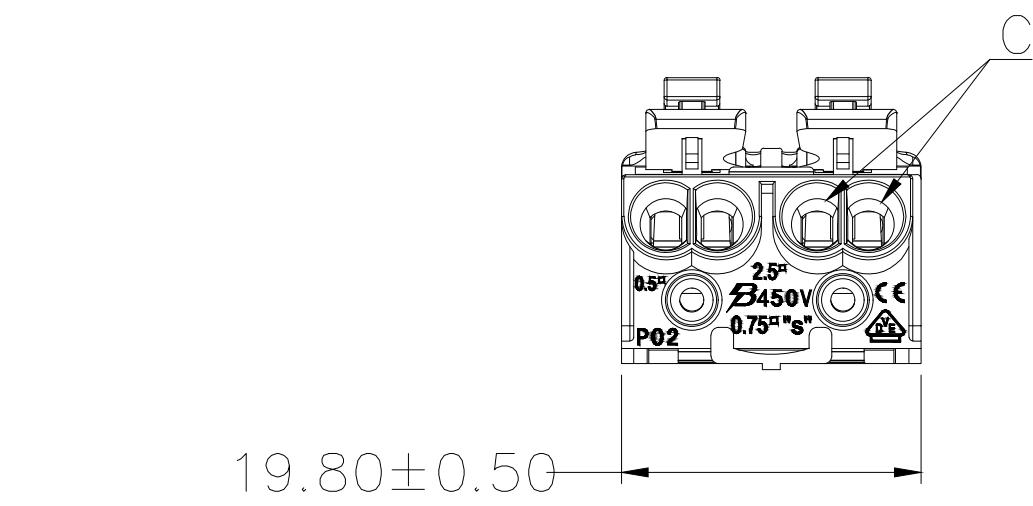
THIS DRAWING IS UNPUBLISHED. RELEASED FOR PUBLICATION
 © COPYRIGHT - By - ALL RIGHTS RESERVED.


REVISIONS					
P	LTR	DESCRIPTION	DATE	DWN	APVD
-	-	SEE SHEET 1	-	-	-



- NOTE:
- PART NUMBER: SEE TABLE.
 - MATERIAL:
TERMINAL: BRASS & STAINLESS STEEL SPRING.
HOUSING: PA UL94-V2 & PC UL94-V2.
 - FINISH
TERMINAL: NICKEL PLATED.
 - PACKAGING: PLASTIC BAG.
 - APPLICABLE WIRE:
A: 0.5-2.5MM², 20-14AWG SOLID WIRE.
0.5-1.5MM², 20-16AWG TIN-DIPPED OR WELL FERRULED STRANDED WIRE.
B: 0.5-1.5MM², 20-16AWG SOLID WIRE.
0.5-0.75MM², 20-18AWG TIN-DIPPED OR WELL FERRULED STRANDED WIRE.
C: 0.5-2.5MM², 20-14AWG SOLID OR STRANDED WIRE.
- △ LOGO MARK APPROXIMATION LOCATION.

2-2834242-6	WHITE
PART NUMBER	PART COLOR



THIS DRAWING IS A CONTROLLED DOCUMENT.		DWN	ZHANG WEI	12DEC2016	 TE Connectivity											
DIMENSIONS: mm		CHK	SHI MING	12DEC2016												
TOLERANCES UNLESS OTHERWISE SPECIFIED:		APVD	XU XIANG	12DEC2016												
<table border="1"> <tr><td>0 PLC</td><td>± 1</td></tr> <tr><td>1 PLC</td><td>± 1</td></tr> <tr><td>2 PLC</td><td>± 1</td></tr> <tr><td>3 PLC</td><td>± 1</td></tr> <tr><td>4 PLC</td><td>± 1</td></tr> <tr><td>ANGLES</td><td>± 5</td></tr> </table>		0 PLC	± 1	1 PLC		± 1	2 PLC	± 1	3 PLC	± 1	4 PLC	± 1	ANGLES	± 5	PRODUCT SPEC	
0 PLC	± 1															
1 PLC	± 1															
2 PLC	± 1															
3 PLC	± 1															
4 PLC	± 1															
ANGLES	± 5															
MATERIAL		APPLICATION SPEC		108-137270	PUSH WIRE CONNECTOR											
FINISH		WEIGHT		114-137270												
		CUSTOMER DRAWING		114-137270	RESTRICTED TO											
		SCALE		2:1												
		SHEET		6 OF 38	REV C											
		CAGE CODE		A300779												
		DRAWING NO		C-2834242												

THIS DRAWING IS UNPUBLISHED.

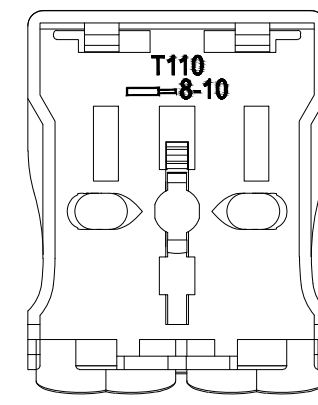
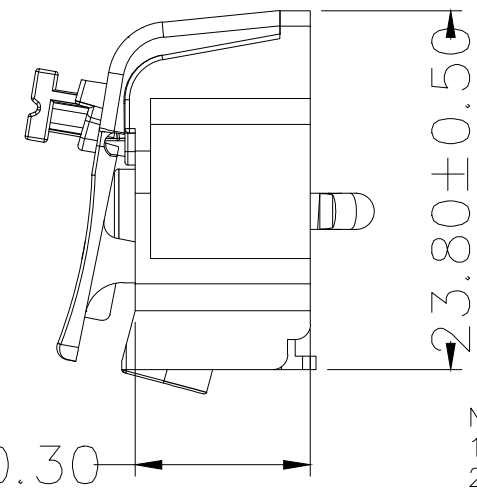
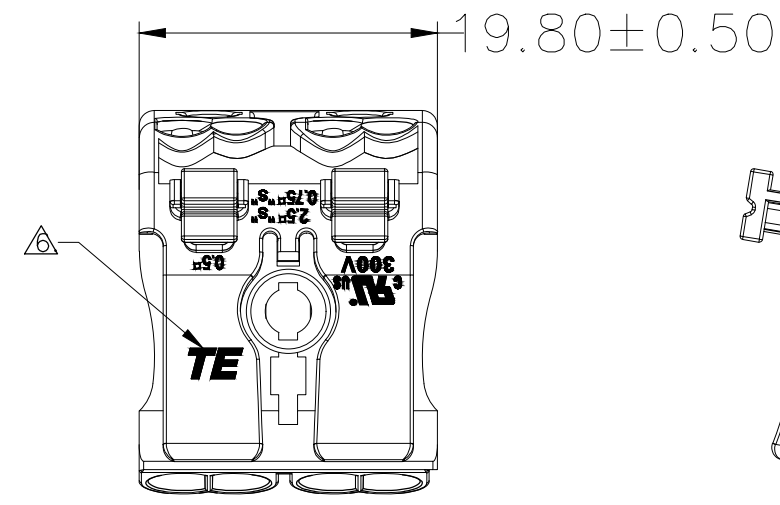
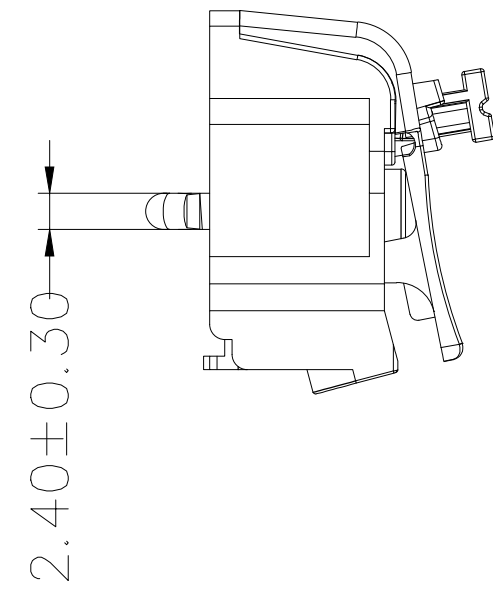
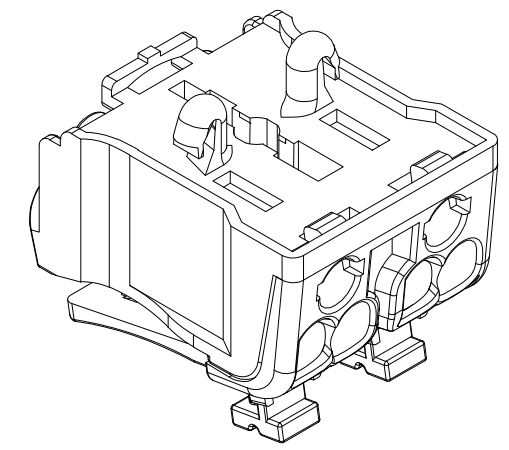
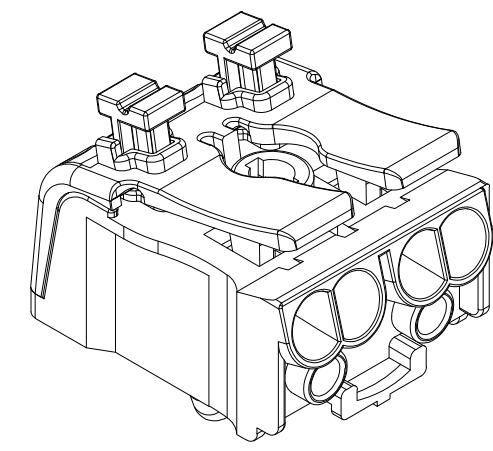
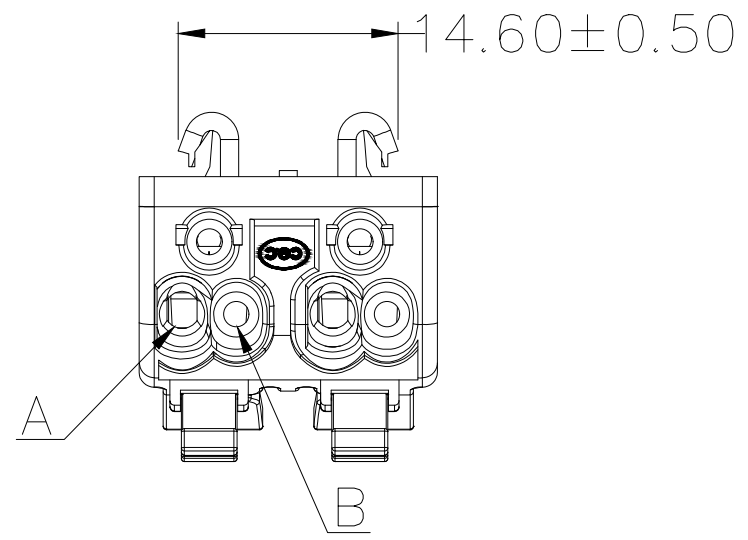
RELEASED FOR PUBLICATION

REVISIONS

© COPYRIGHT - By -

ALL RIGHTS RESERVED.

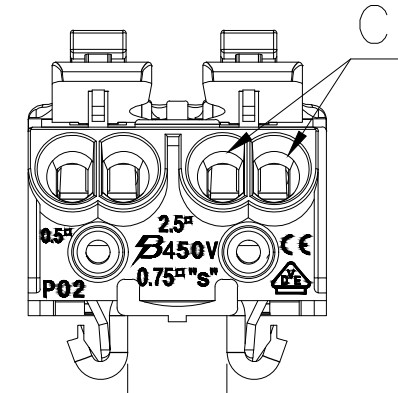
P	LTR	DESCRIPTION	DATE	DWN	APVD
-	-	SEE SHEET 1	-	-	-



- NOTE:
- PART NUMBER: SEE TABLE.
 - MATERIAL:
TERMINAL: BRASS & STAINLESS STEEL SPRING.
HOUSING: PA UL94-V2 & PC UL94-V2.
 - FINISH
TERMINAL: NICKEL PLATED.
 - PACKAGING: PLASTIC BAG.
 - APPLICABLE WIRE:
A: 0.5-2.5MM², 20-14AWG SOLID WIRE.
0.5-1.5MM², 20-16AWG TIN-DIPPED OR WELL FERRULED STRANDED WIRE.
B: 0.5-1.5MM², 20-16AWG SOLID WIRE.
0.5-0.75MM², 20-18AWG TIN-DIPPED OR WELL FERRULED STRANDED WIRE.
C: 0.5-2.5MM², 20-14AWG SOLID OR STRANDED WIRE.

△ LOGO MARK APPROXIMATION LOCATION.

2-2834242-7	WHITE
PART NUMBER	PART COLOR



THIS DRAWING IS A CONTROLLED DOCUMENT.

DIMENSIONS:	TOLERANCES UNLESS OTHERWISE SPECIFIED:
mm	
	0 PLC ± 1
	1 PLC ± 1
	2 PLC ± 1
	3 PLC ± 1
	4 PLC ± 1
	ANGLES ± 5
MATERIAL	FINISH
-	-

DWN	ZHANG WEI	12DEC2016
CHK	SHI MING	12DEC2016
APVD	XU XIANG	12DEC2016
PRODUCT SPEC	108-137270	
APPLICATION SPEC	114-137270	
WEIGHT	5.50g	
CUSTOMER DRAWING		

TE Connectivity		NAME	
		PUSH WIRE CONNECTOR	
SIZE	CAGE CODE	DRAWING NO	RESTRICTED TO
A3	00779	C-2834242	-
SCALE		SHEET	REV
2:1		7 of 38	C

THIS DRAWING IS UNPUBLISHED.

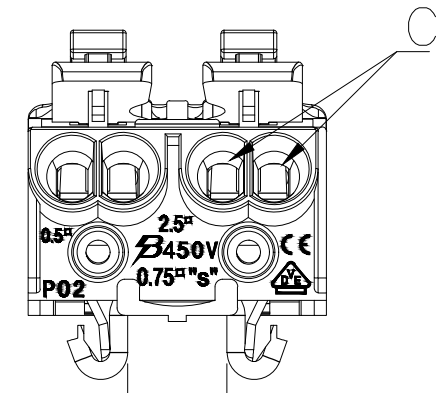
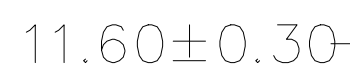
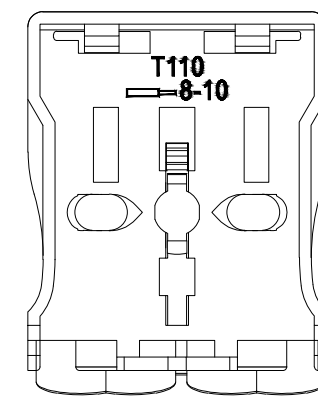
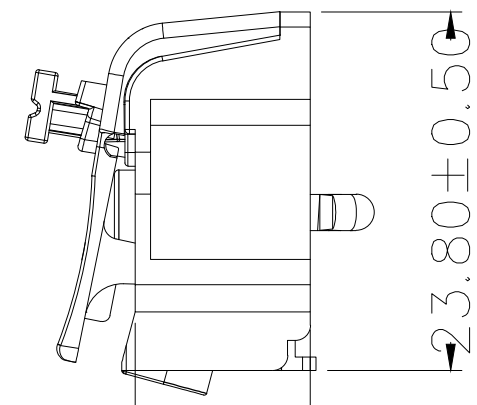
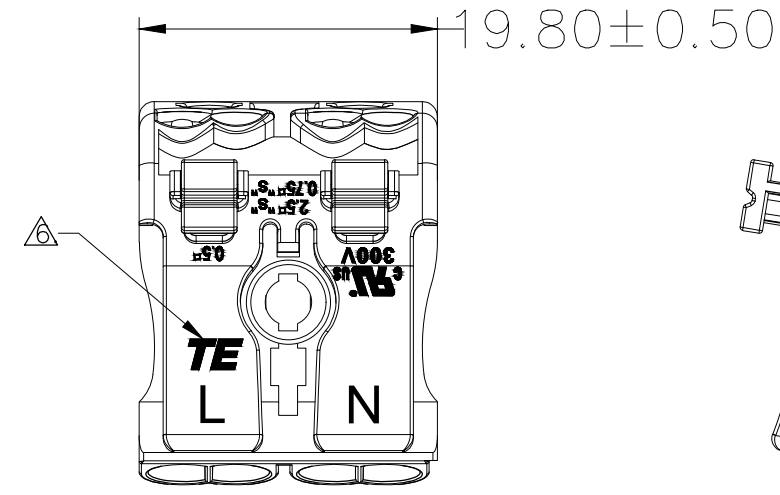
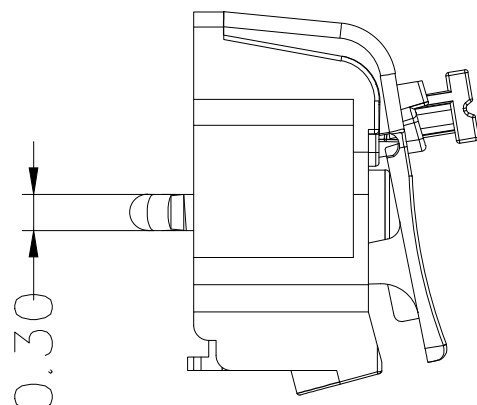
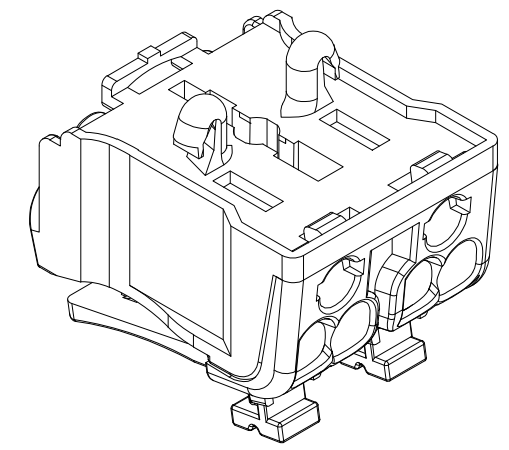
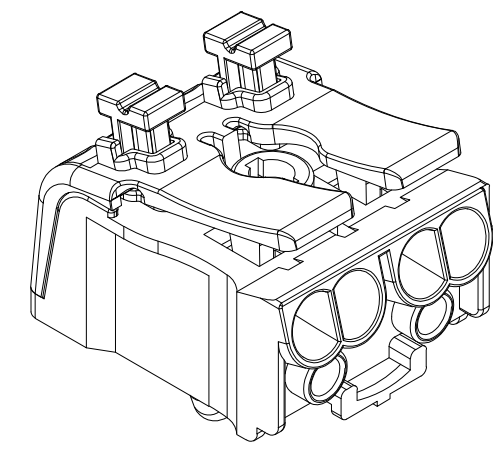
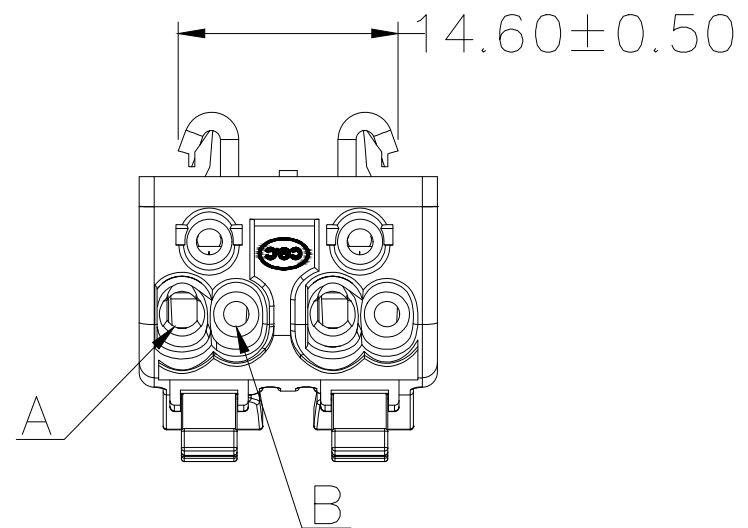
RELEASED FOR PUBLICATION

REVISIONS

© COPYRIGHT - By -


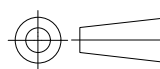
ALL RIGHTS RESERVED.

P	LTR	DESCRIPTION	DATE	DWN	APVD
-	-	SEE SHEET 1	-	-	-



- NOTE:
- PART NUMBER: SEE TABLE.
 - MATERIAL:
TERMINAL: BRASS & STAINLESS STEEL SPRING.
HOUSING: PA UL94-V2 & PC UL94-V2.
 - FINISH
TERMINAL: NICKEL PLATED.
 - PACKAGING: PLASTIC BAG.
 - APPLICABLE WIRE:
A: 0.5-2.5MM², 20-14AWG SOLID WIRE.
0.5-1.5MM², 20-16AWG TIN-DIPPED OR WELL FERRULED STRANDED WIRE.
B: 0.5-1.5MM², 20-16AWG SOLID WIRE.
0.5-0.75MM², 20-18AWG TIN-DIPPED OR WELL FERRULED STRANDED WIRE.
C: 0.5-2.5MM², 20-14AWG SOLID OR STRANDED WIRE.
- △ LOGO MARK APPROXIMATION LOCATION.

2-2834242-8	WHITE
PART NUMBER	PART COLOR

THIS DRAWING IS A CONTROLLED DOCUMENT.		DWN ZHANG WEI 12DEC2016	 TE Connectivity NAME PUSH WIRE CONNECTOR					
DIMENSIONS: mm	TOLERANCES UNLESS OTHERWISE SPECIFIED:	CHK SHI MING 12DEC2016				SIZE		
		APVD XU XIANG 12DEC2016				CAGE CODE		
		PRODUCT SPEC 108-137270				DRAWING NO A300779C-2834242		
MATERIAL		FINISH	APPLICATION SPEC 114-137270	RESTRICTED TO				
			WEIGHT 5.50g	SCALE 2:1				
CUSTOMER DRAWING			SHEET 8 of 38		REV C			

THIS DRAWING IS UNPUBLISHED.

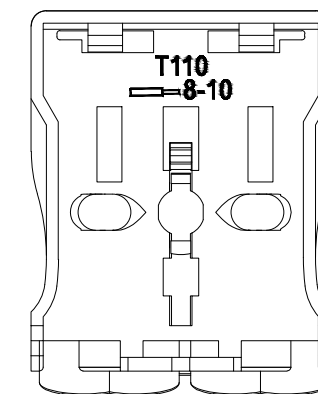
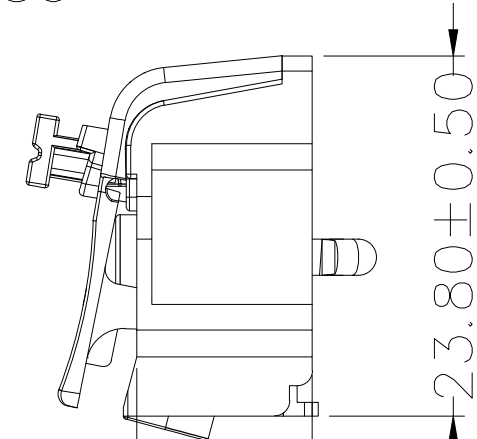
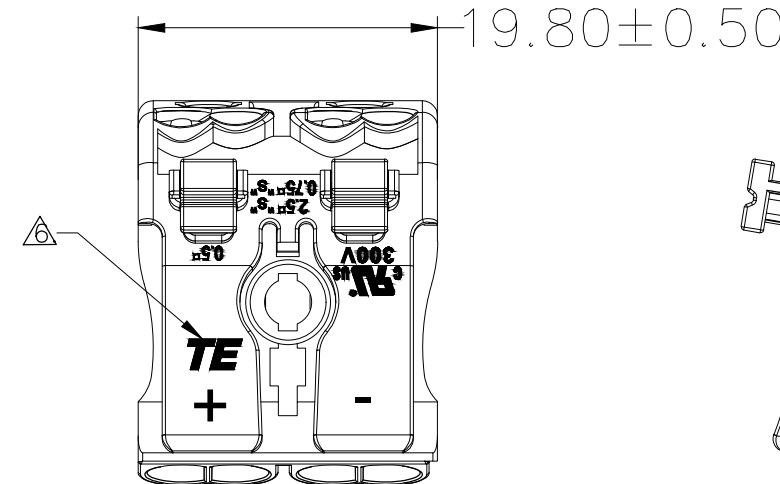
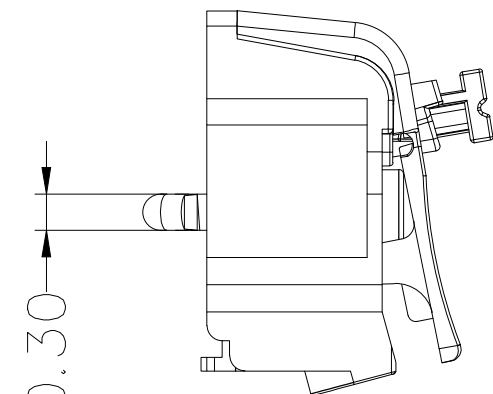
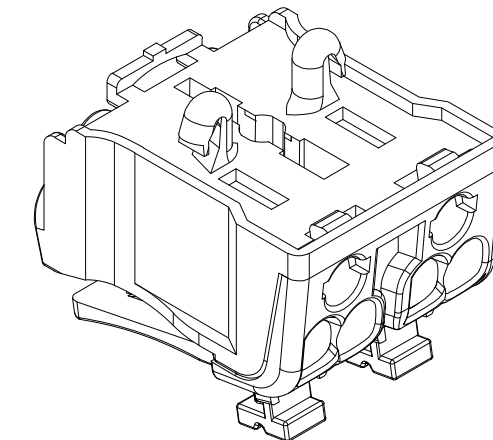
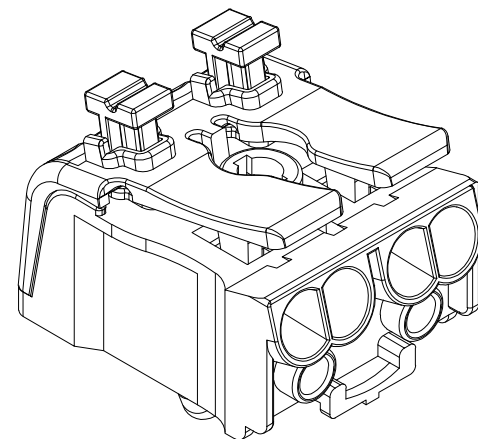
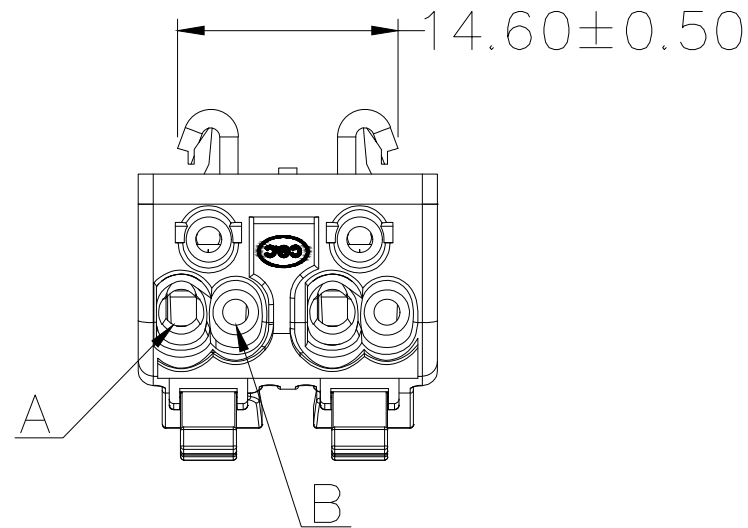
RELEASED FOR PUBLICATION

ALL RIGHTS RESERVED.

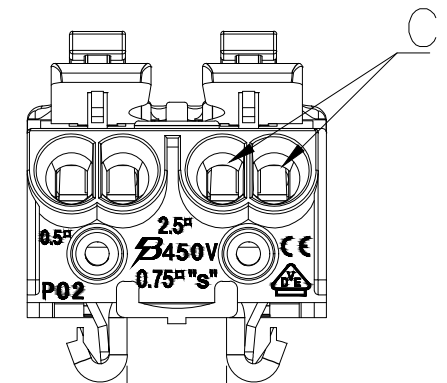
© COPYRIGHT - By -

REVISIONS


P	LTR	DESCRIPTION	DATE	DWN	APVD
-	-	SEE SHEET 1	-	-	-



- NOTE:
- PART NUMBER: SEE TABLE.
 - MATERIAL:
TERMINAL: BRASS & STAINLESS STEEL SPRING.
HOUSING: PA UL94-V2 & PC UL94-V2.
 - FINISH
TERMINAL: NICKEL PLATED.
 - PACKAGING: PLASTIC BAG.
 - APPLICABLE WIRE:
A: 0.5-2.5MM², 20-14AWG SOLID WIRE.
0.5-1.5MM², 20-16AWG TIN-DIPPED OR WELL FERRULED STRANDED WIRE.
B: 0.5-1.5MM², 20-16AWG SOLID WIRE.
0.5-0.75MM², 20-18AWG TIN-DIPPED OR WELL FERRULED STRANDED WIRE.
C: 0.5-2.5MM², 20-14AWG SOLID OR STRANDED WIRE.
- △ LOGO MARK APPROXIMATION LOCATION.



© 2-2834242-9	WHITE
PART NUMBER	PART COLOR

THIS DRAWING IS A CONTROLLED DOCUMENT.		DWN	ZHANG WEI	12APR2018	 TE Connectivity		
DIMENSIONS: mm		CHK	FU XIAOZHI	12APR2018			
TOLERANCES UNLESS OTHERWISE SPECIFIED:		APVD	SHI MING	12APR2018	NAME		
0 PLC ± 1		PRODUCT SPEC		108-137270			PUSH WIRE CONNECTOR
1 PLC ± 1		APPLICATION SPEC		114-137270			
2 PLC ± 1		SIZE	A3	CAGE CODE	00779	DRAWING NO	©-2834242
3 PLC ± 1		WEIGHT	5.50g	RESTRICTED TO			-
4 PLC ± 1		CUSTOMER DRAWING		SCALE	2:1	SHEET	9 OF 38
ANGLES ± 5				REV			C
FINISH							

THIS DRAWING IS UNPUBLISHED.

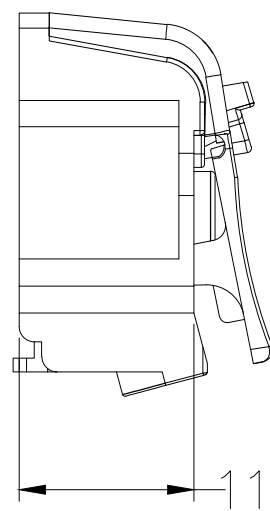
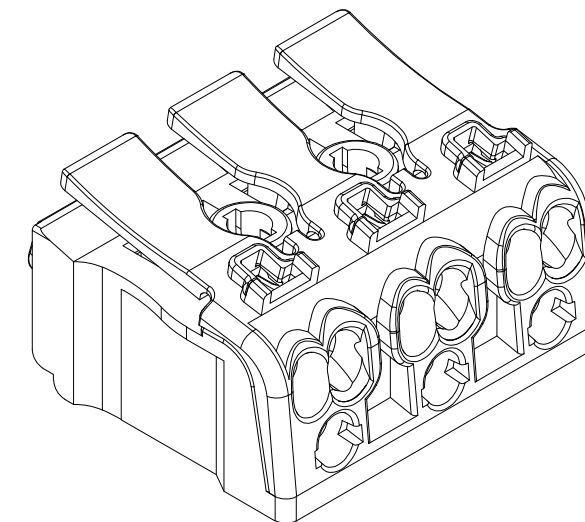
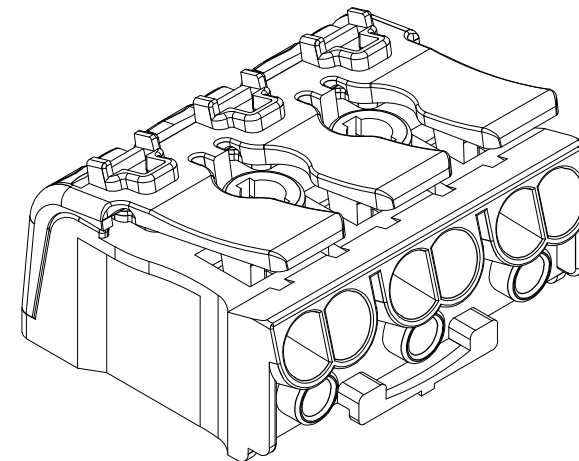
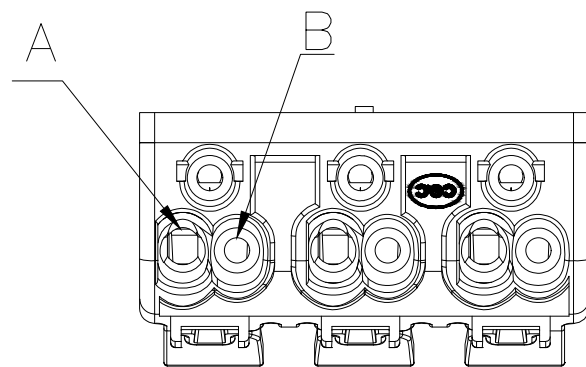
RELEASED FOR PUBLICATION

REVISIONS

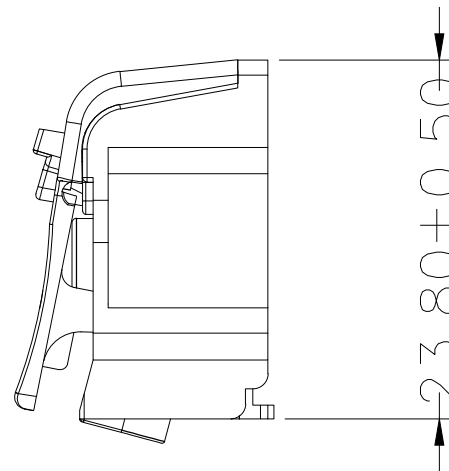
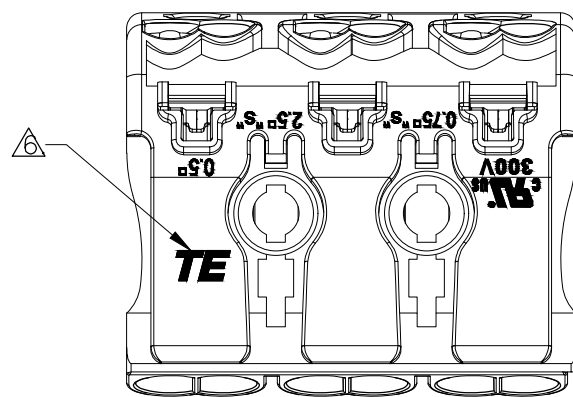
© COPYRIGHT - By -

ALL RIGHTS RESERVED.

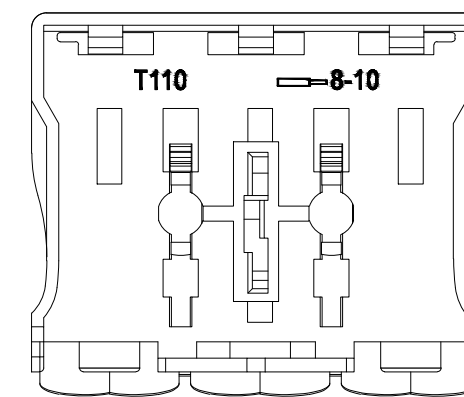
P	LTR	DESCRIPTION	DATE	DWN	APVD
-	-	SEE SHEET 1	-	-	-



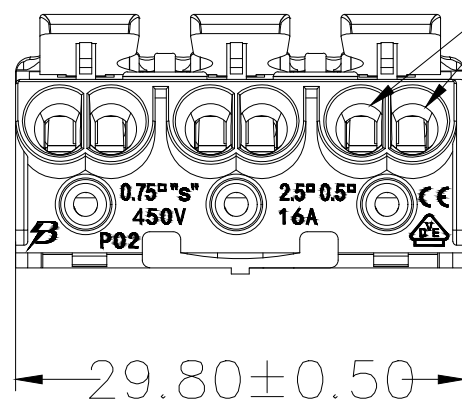
11.60 ± 0.30



23.80 ± 0.50



- NOTE:
- PART NUMBER: SEE TABLE.
 - MATERIAL:
TERMINAL: BRASS & STAINLESS STEEL SPRING.
HOUSING: PA UL94-V2 & PC UL94-V2.
 - FINISH
TERMINAL: NICKEL PLATED.
 - PACKAGING: PLASTIC BAG.
 - APPLICABLE WIRE:
A: 0.5-2.5MM², 20-14AWG SOLID WIRE ONLY.
B: 0.5-1.5MM², 20-16AWG SOLID WIRE ONLY.
C: 0.5-2.5MM², 20-14AWG SOLID OR STRANDED WIRE.
- △ LOGO MARK APPROXIMATION LOCATION.



29.80 ± 0.50

THIS DRAWING IS A CONTROLLED DOCUMENT.

DIMENSIONS:	TOLERANCES UNLESS OTHERWISE SPECIFIED:
mm	
	0 PLC ± 1
	1 PLC ± 1
	2 PLC ± 1
	3 PLC ± 1
	4 PLC ± 1
	ANGLES ± 5
MATERIAL	FINISH
-	-

DWN	12DEC2016
ZHANG WEI	
CHK	12DEC2016
SHI MING	
APVD	12DEC2016
XU XIANG	
PRODUCT SPEC	108-137270
APPLICATION SPEC	114-137270
WEIGHT	7.95g
CUSTOMER DRAWING	

3-2834242-1		WHITE	
PART NUMBER		PART COLOR	
STE TE Connectivity			
PUSH WIRE CONNECTOR			
NAME	-		
SIZE	CAGE CODE	DRAWING NO	RESTRICTED TO
A3	00779	C-2834242	-
SCALE		SHEET	REV
2:1		10 of 38	C

THIS DRAWING IS UNPUBLISHED.

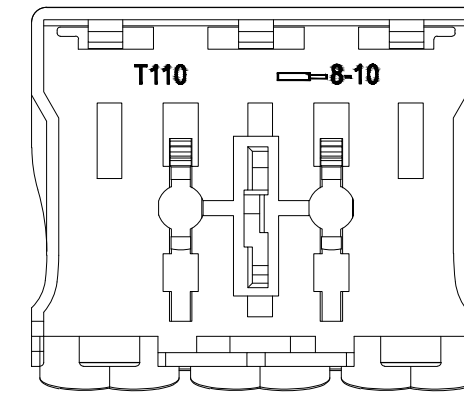
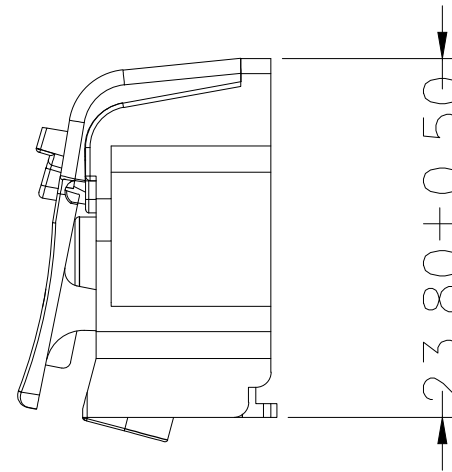
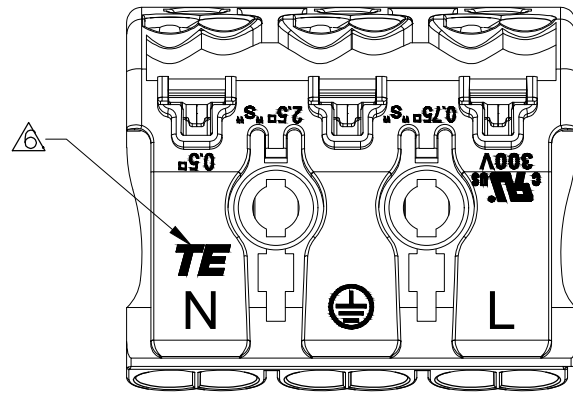
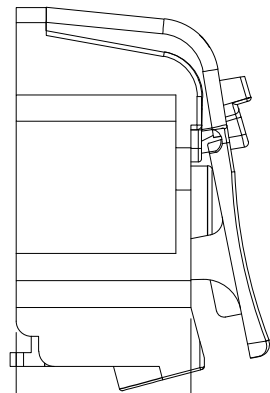
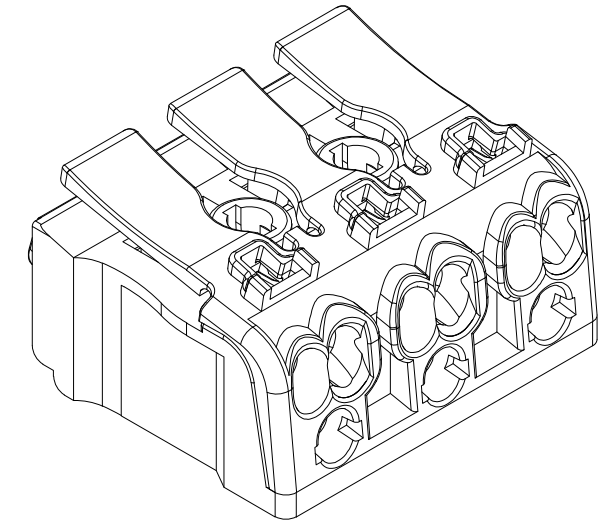
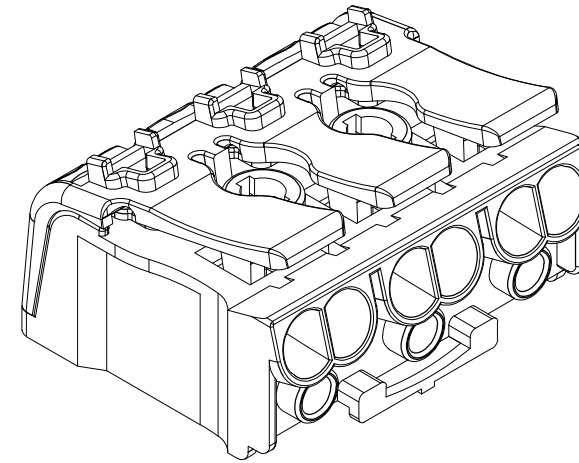
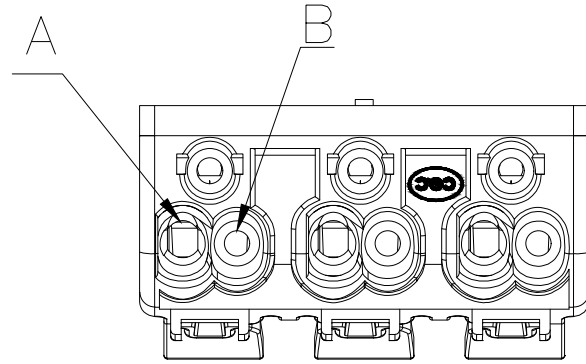
RELEASED FOR PUBLICATION

REVISIONS

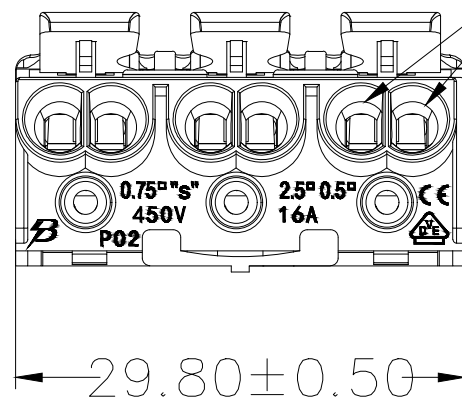
© COPYRIGHT - By -

ALL RIGHTS RESERVED.

P	LTR	DESCRIPTION	DATE	DWN	APVD
-	-	SEE SHEET 1	-	-	-




11.60 ± 0.30



29.80 ± 0.50

- NOTE:
- PART NUMBER: SEE TABLE.
 - MATERIAL:
TERMINAL: BRASS & STAINLESS STEEL SPRING.
HOUSING: PA UL94-V2 & PC UL94-V2.
 - FINISH
TERMINAL: NICKEL PLATED.
 - PACKAGING: PLASTIC BAG.
 - APPLICABLE WIRE:
A: 0.5-2.5MM², 20-14AWG SOLID WIRE ONLY.
B: 0.5-1.5MM², 20-16AWG SOLID WIRE ONLY.
C: 0.5-2.5MM², 20-14AWG SOLID OR STRANDED WIRE.
- △ LOGO MARK APPROXIMATION LOCATION.

3-2834242-2	WHITE
PART NUMBER	PART COLOR

THIS DRAWING IS A CONTROLLED DOCUMENT.		DWN ZHANG WEI 12DEC2016	 TE Connectivity													
DIMENSIONS: mm		CHK SHI MING 12DEC2016														
TOLERANCES UNLESS OTHERWISE SPECIFIED:		APVD XU XIANG 12DEC2016	NAME PUSH WIRE CONNECTOR													
<table border="1"> <tr><td>0 PLC</td><td>± 1</td></tr> <tr><td>1 PLC</td><td>± 1</td></tr> <tr><td>2 PLC</td><td>± 1</td></tr> <tr><td>3 PLC</td><td>± 1</td></tr> <tr><td>4 PLC</td><td>± 1</td></tr> <tr><td>ANGLES</td><td>± 5</td></tr> </table>		0 PLC	± 1	1 PLC	± 1	2 PLC	± 1	3 PLC	± 1	4 PLC	± 1	ANGLES	± 5	PRODUCT SPEC 108-137270	RESTRICTED TO	
0 PLC	± 1															
1 PLC	± 1															
2 PLC	± 1															
3 PLC	± 1															
4 PLC	± 1															
ANGLES	± 5															
MATERIAL		APPLICATION SPEC 114-137270	SIZE A3	CAGE CODE 00779	DRAWING NO C-2834242											
FINISH		WEIGHT 7.95g	SCALE 2:1													
		CUSTOMER DRAWING	SHEET 11 of 38													
			REV C													

THIS DRAWING IS UNPUBLISHED.

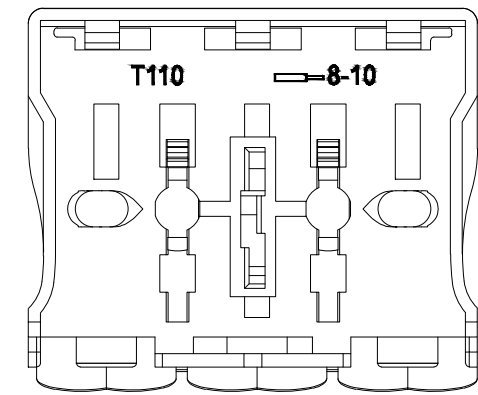
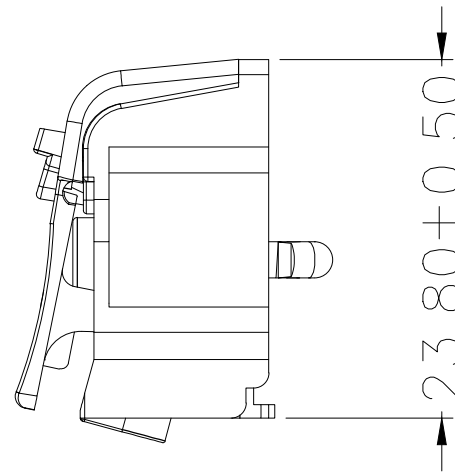
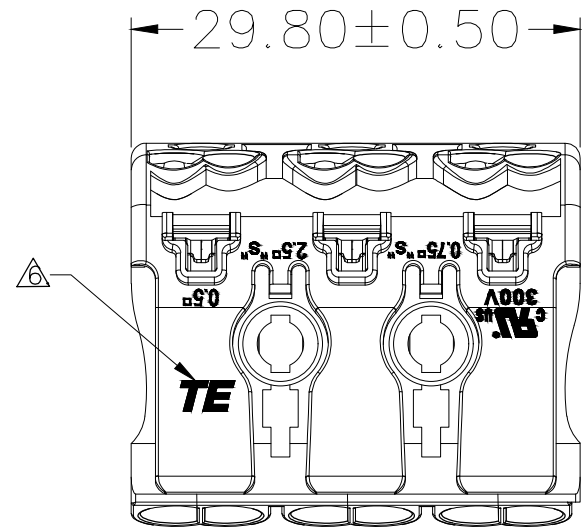
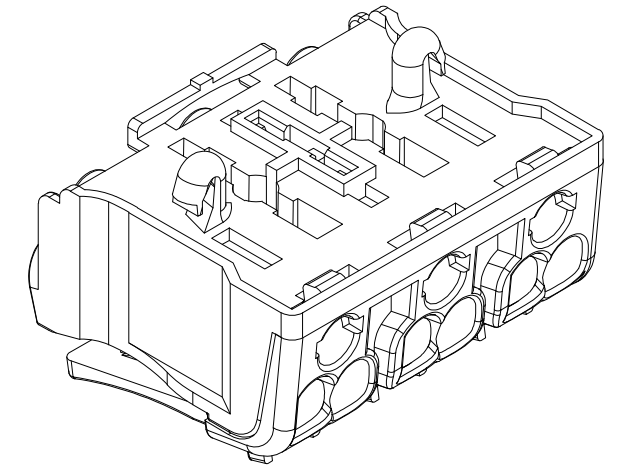
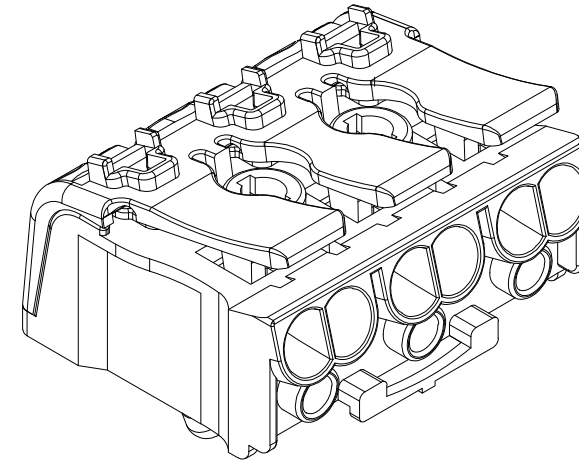
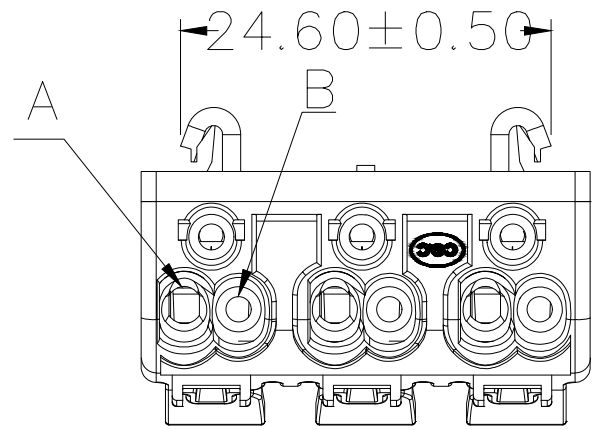
RELEASED FOR PUBLICATION

© COPYRIGHT - By -

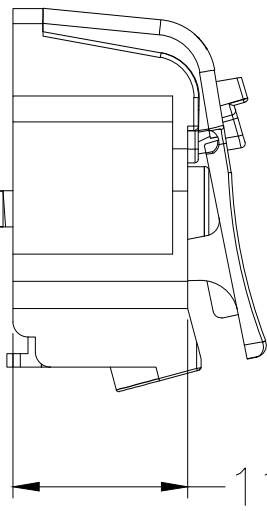
ALL RIGHTS RESERVED.

REVISIONS

P	LTR	DESCRIPTION	DATE	DWN	APVD
-	-	SEE SHEET 1	-	-	-



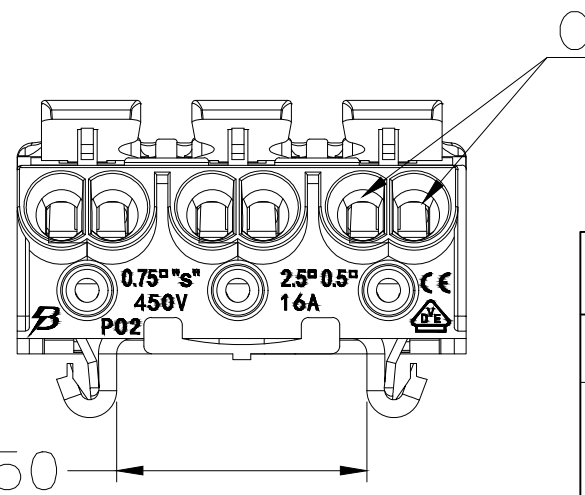
2.40±0.30



11.60±0.30


NOTE:

- PART NUMBER: SEE TABLE.
 - MATERIAL:
TERMINAL: BRASS & STAINLESS STEEL SPRING.
HOUSING: PA UL94-V2 & PC UL94-V2.
 - FINISH
TERMINAL: NICKEL PLATED.
 - PACKAGING: PLASTIC BAG.
 - APPLICABLE WIRE:
A: 0.5-2.5MM², 20-14AWG SOLID WIRE ONLY.
B: 0.5-1.5MM², 20-16AWG SOLID WIRE ONLY.
C: 0.5-2.5MM², 20-14AWG SOLID OR STRANDED WIRE.
- △ LOGO MARK APPROXIMATION LOCATION.



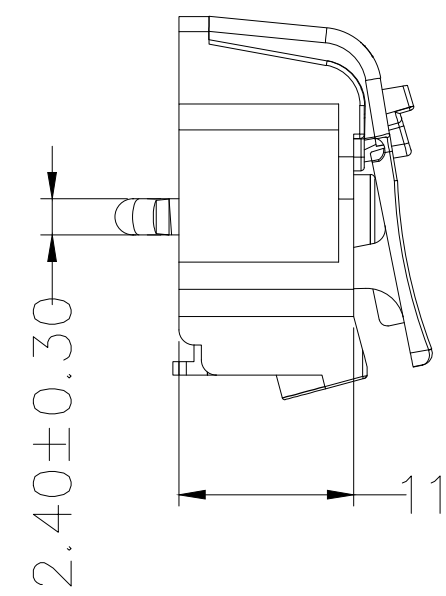
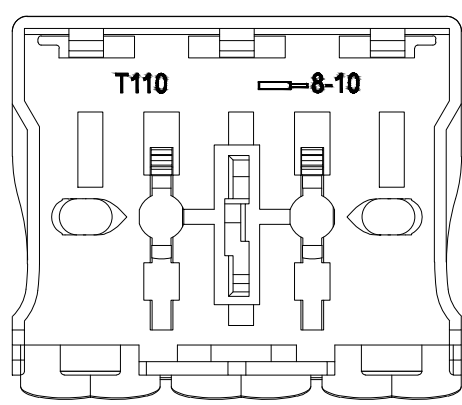
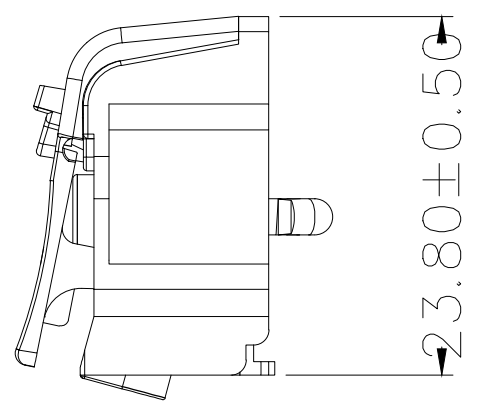
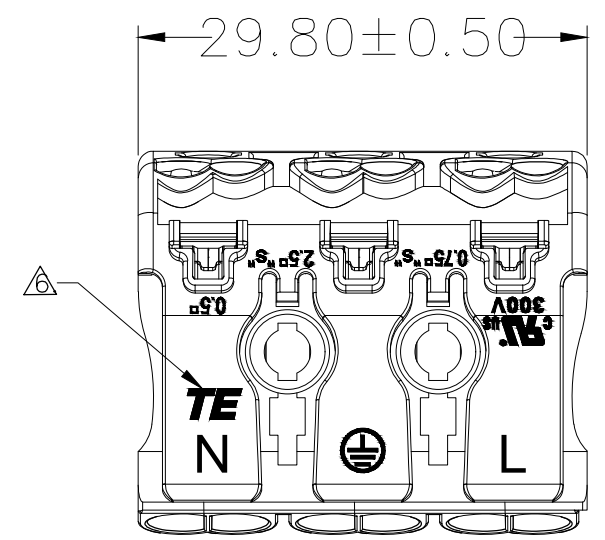
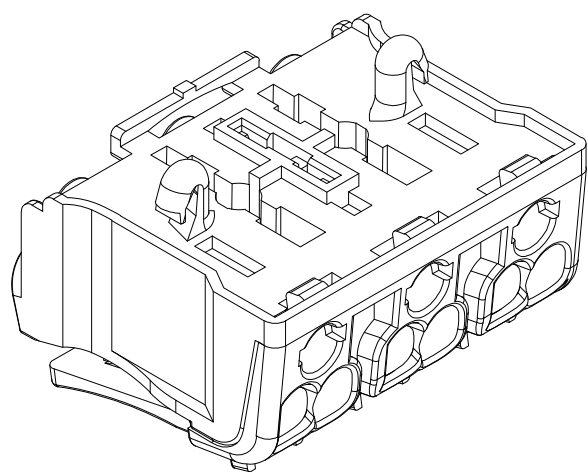
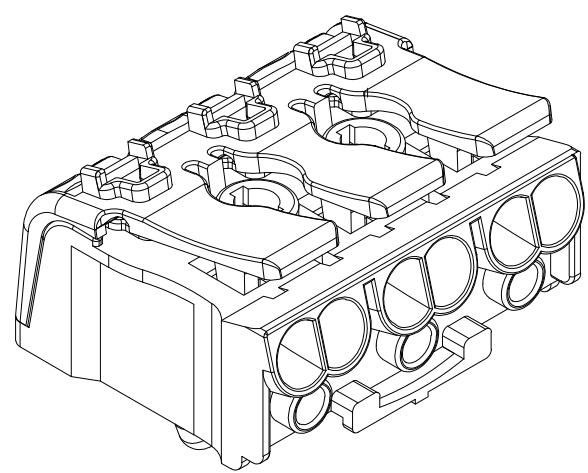
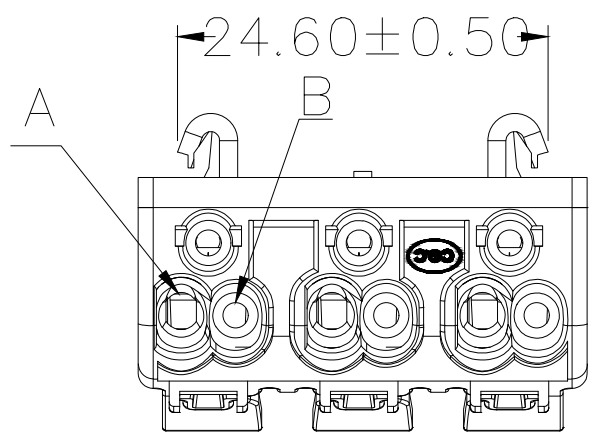
16.60±0.50

3-2834242-3	WHITE
PART NUMBER	PART COLOR

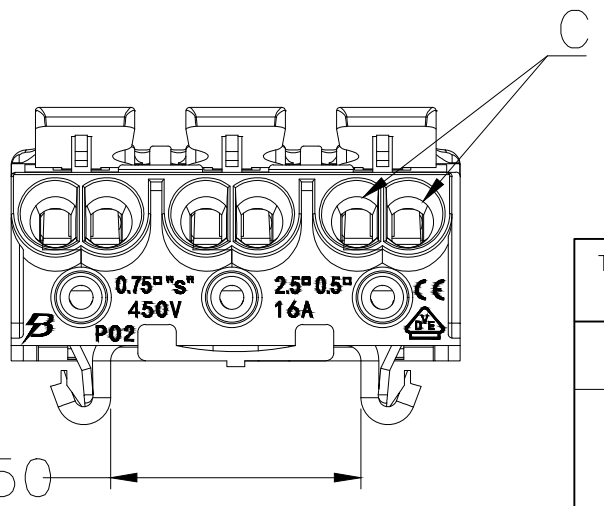
THIS DRAWING IS A CONTROLLED DOCUMENT.		DWN ZHANG WEI 12DEC2016	 TE Connectivity														
DIMENSIONS: mm		CHK SHI MING 12DEC2016															
TOLERANCES UNLESS OTHERWISE SPECIFIED:		APVD XU XIANG 12DEC2016	NAME PUSH WIRE CONNECTOR														
<table border="1"> <tr> <td>0 PLC</td> <td>± 1</td> </tr> <tr> <td>1 PLC</td> <td>± 1</td> </tr> <tr> <td>2 PLC</td> <td>± 1</td> </tr> <tr> <td>3 PLC</td> <td>± 1</td> </tr> <tr> <td>4 PLC</td> <td>± 1</td> </tr> <tr> <td>ANGLES</td> <td>± 5</td> </tr> </table>		0 PLC	± 1	1 PLC	± 1	2 PLC	± 1	3 PLC	± 1	4 PLC	± 1	ANGLES	± 5	PRODUCT SPEC 108-137270	SIZE A3		
0 PLC	± 1																
1 PLC	± 1																
2 PLC	± 1																
3 PLC	± 1																
4 PLC	± 1																
ANGLES	± 5																
MATERIAL -		FINISH -	APPLICATION SPEC 114-137270	CAGE CODE 00779	DRAWING NO C-2834242												
		WEIGHT 8.02g	RESTRICTED TO -														
		CUSTOMER DRAWING	SCALE 2:1	SHEET 12 of 38	REV C												

THIS DRAWING IS UNPUBLISHED. RELEASED FOR PUBLICATION
 © COPYRIGHT - By - ALL RIGHTS RESERVED.

REVISIONS					
P	LTR	DESCRIPTION	DATE	DWN	APVD
-	-	SEE SHEET 1	-	-	-



- NOTE:
- PART NUMBER: SEE TABLE.
 - MATERIAL:
 TERMINAL: BRASS & STAINLESS STEEL SPRING.
 HOUSING: PA UL94-V2 & PC UL94-V2.
 - FINISH
 TERMINAL: NICKEL PLATED.
 - PACKAGING: PLASTIC BAG.
 - APPLICABLE WIRE:
 A: 0.5-2.5MM², 20-14AWG SOLID WIRE ONLY.
 B: 0.5-1.5MM², 20-16AWG SOLID WIRE ONLY.
 C: 0.5-2.5MM², 20-14AWG SOLID OR STRANDED WIRE.
- △ LOGO MARK APPROXIMATION LOCATION.



3-2834242-4	WHITE
PART NUMBER	PART COLOR

THIS DRAWING IS A CONTROLLED DOCUMENT.		DWN	ZHANG WEI	12DEC2016	 TE Connectivity	NAME			RESTRICTED TO	
DIMENSIONS:		CHK	SHI MING	12DEC2016		PUSH WIRE CONNECTOR				
mm		APVD	XU XIANG	12DEC2016		-				
TOLERANCES UNLESS OTHERWISE SPECIFIED:		PRODUCT SPEC		-						
0 PLC	± 1	APPLICATION SPEC		-			SIZE	CAGE CODE	DRAWING NO	-
1 PLC	± 1	108-137270		A3			00779	C-2834242		
2 PLC	± 1	114-137270		WEIGHT			8.02g		SCALE	2:1
3 PLC	± 1	MATERIAL		CUSTOMER DRAWING		SHEET		13 of 38	REV	C
4 PLC	± 1	FINISH								
ANGLES	± 5									

THIS DRAWING IS UNPUBLISHED.

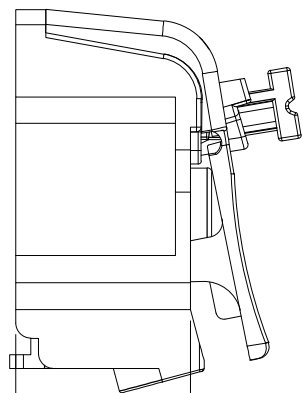
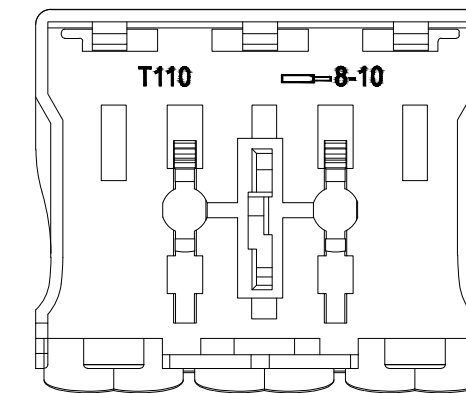
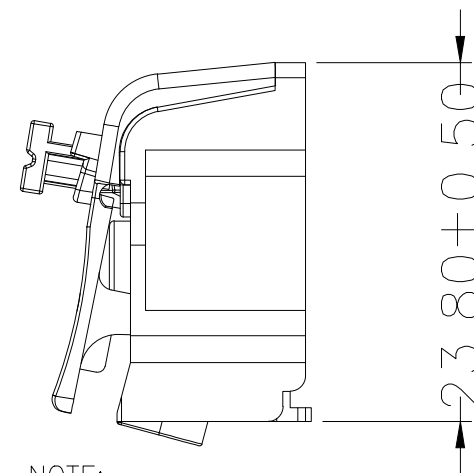
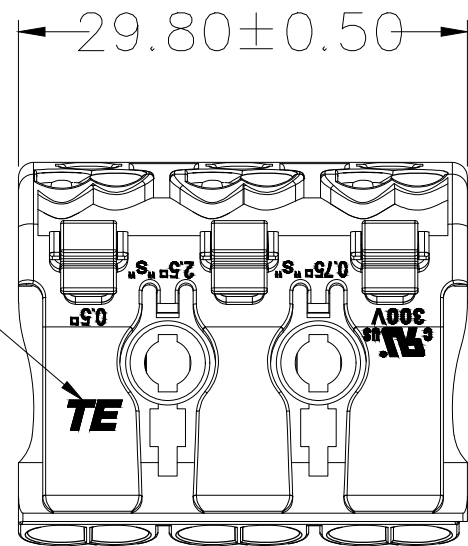
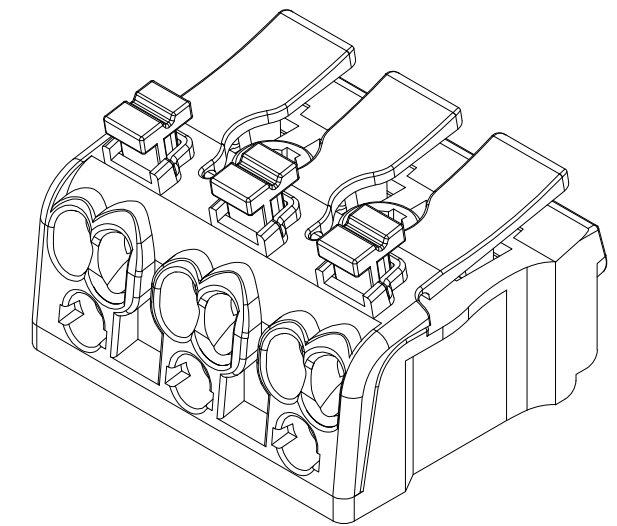
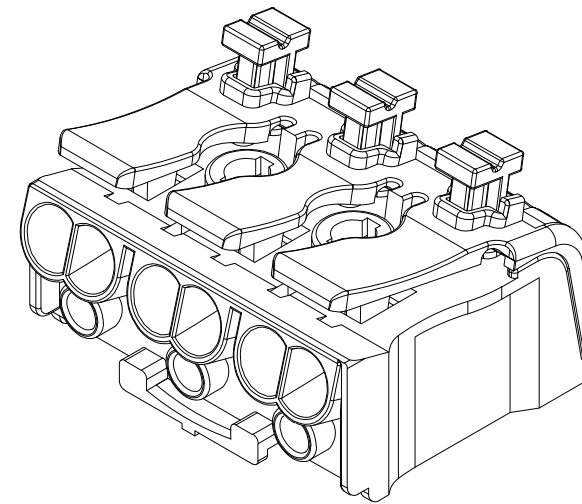
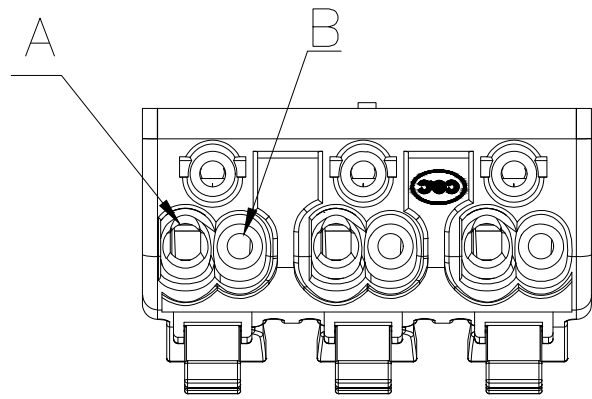
RELEASED FOR PUBLICATION

REVISIONS

© COPYRIGHT - By -

ALL RIGHTS RESERVED.

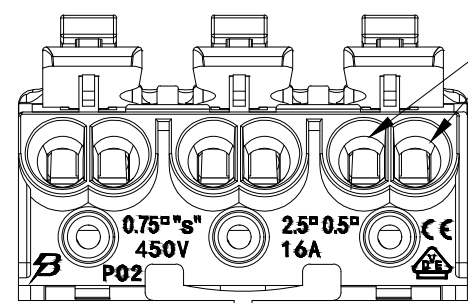
P	LTR	DESCRIPTION	DATE	DWN	APVD
-	-	SEE SHEET 1	-	-	-



11.60±0.30

NOTE:

- PART NUMBER: SEE TABLE.
 - MATERIAL:
TERMINAL: BRASS & STAINLESS STEEL SPRING.
HOUSING: PA UL94-V2 & PC UL94-V2.
 - FINISH
TERMINAL: NICKEL PLATED.
 - PACKAGING: PLASTIC BAG.
 - APPLICABLE WIRE:
A: 0.5-2.5MM², 20-14AWG SOLID WIRE.
0.5-1.5MM², 20-16AWG TIN-DIPPED OR WELL FERRULED STRANDED WIRE.
B: 0.5-1.5MM², 20-16AWG SOLID WIRE.
0.5-0.75MM², 20-18AWG TIN-DIPPED OR WELL FERRULED STRANDED WIRE.
C: 0.5-2.5MM², 20-14AWG SOLID OR STRANDED WIRE.
- △ LOGO MARK APPROXIMATION LOCATION.



3-2834242-5	WHITE
PART NUMBER	PART COLOR

THIS DRAWING IS A CONTROLLED DOCUMENT.		DWN	ZHANG WEI	12DEC2016	TE Connectivity								
		CHK	SHI MING	12DEC2016									
		APVD	XU XIANG	12DEC2016	NAME								
		PRODUCT SPEC			PUSH WIRE CONNECTOR								
		APPLICATION SPEC			-								
		WEIGHT			8.15g	SIZE	A3	CAGE CODE	00779	DRAWING NO	C-2834242	RESTRICTED TO	-
		CUSTOMER DRAWING			SCALE	2:1	SHEET	14 of 38	REV	C			

DIMENSIONS:		TOLERANCES UNLESS OTHERWISE SPECIFIED:	
mm			
		0 PLC	± 1
		1 PLC	± 1
		2 PLC	± 1
		3 PLC	± 1
		4 PLC	± 1
		ANGLES	± 5
MATERIAL		FINISH	
-		-	

THIS DRAWING IS UNPUBLISHED.

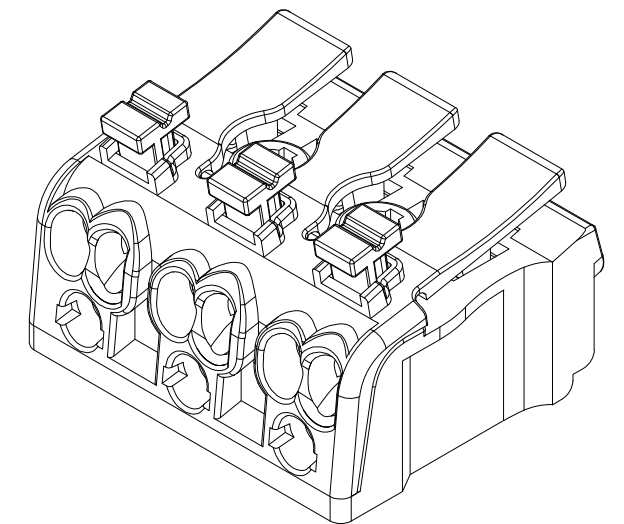
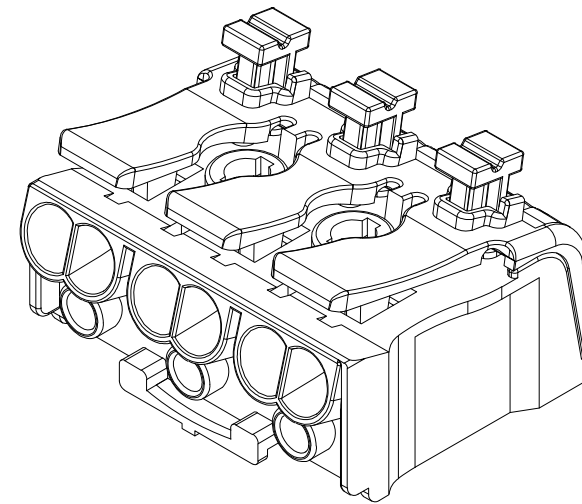
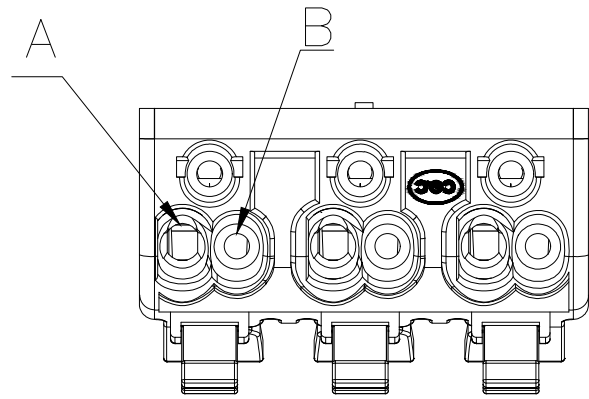
RELEASED FOR PUBLICATION

ALL RIGHTS RESERVED.

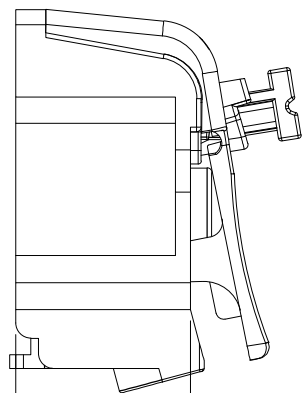
© COPYRIGHT - By -

REVISIONS

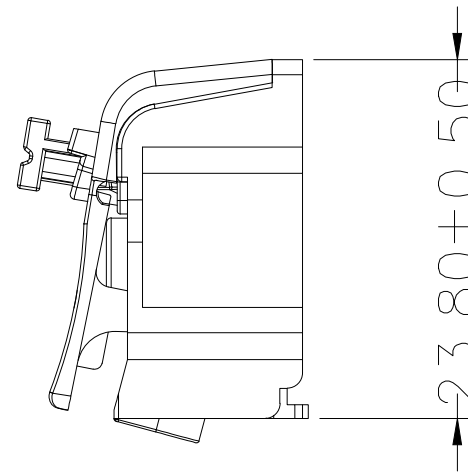
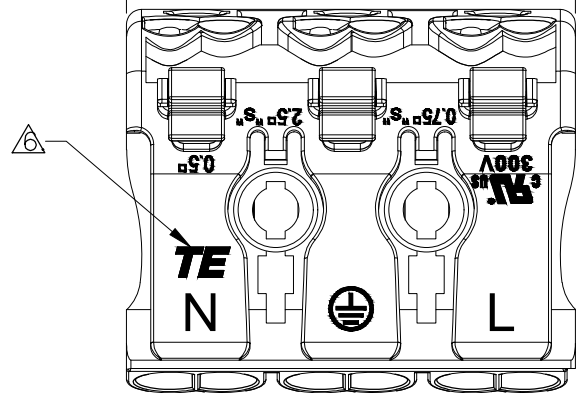
P	LTR	DESCRIPTION	DATE	DWN	APVD
-	-	SEE SHEET 1	-	-	-



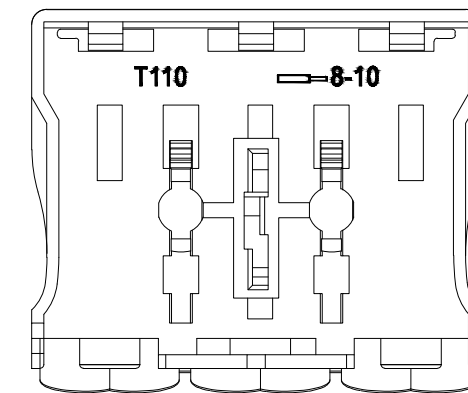
29.80 ± 0.50



11.60 ± 0.30



23.80 ± 0.50

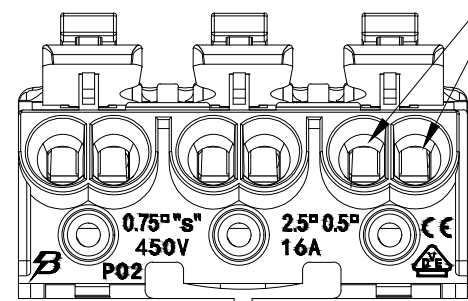


NOTE:

- PART NUMBER: SEE TABLE.
- MATERIAL:
TERMINAL: BRASS & STAINLESS STEEL SPRING.
HOUSING: PA UL94-V2 & PC UL94-V2.
- FINISH
TERMINAL: NICKEL PLATED.
- PACKAGING: PLASTIC BAG.
- APPLICABLE WIRE:
A: 0.5-2.5MM², 20-14AWG SOLID WIRE.
0.5-1.5MM², 20-16AWG TIN-DIPPED OR WELL FERRULED STRANDED WIRE.
B: 0.5-1.5MM², 20-16AWG SOLID WIRE.
0.5-0.75MM², 20-18AWG TIN-DIPPED OR WELL FERRULED STRANDED WIRE.
C: 0.5-2.5MM², 20-14AWG SOLID OR STRANDED WIRE.

△ LOGO MARK APPROXIMATION LOCATION.

3-2834242-6	WHITE
PART NUMBER	PART COLOR



THIS DRAWING IS A CONTROLLED DOCUMENT.

DIMENSIONS:	TOLERANCES UNLESS OTHERWISE SPECIFIED:
mm	
	0 PLC ± 1
	1 PLC ± 1
	2 PLC ± 1
	3 PLC ± 1
	4 PLC ± 1
	ANGLES ± 5
MATERIAL	FINISH
-	-

DWN	12DEC2016
ZHANG WEI	
CHK	12DEC2016
SHI MING	
APVD	12DEC2016
XU XIANG	
PRODUCT SPEC	108-137270
APPLICATION SPEC	114-137270
WEIGHT	8.15g
CUSTOMER DRAWING	

TE Connectivity		NAME	
		PUSH WIRE CONNECTOR	
SIZE	CAGE CODE	DRAWING NO	RESTRICTED TO
A3	00779	C-2834242	-
SCALE		SHEET	REV
2:1		15 of 38	C

THIS DRAWING IS UNPUBLISHED.

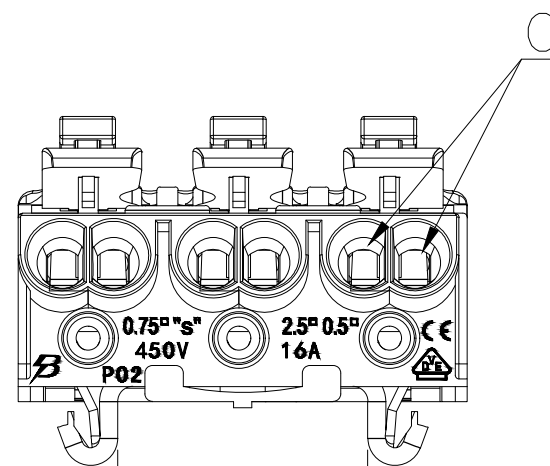
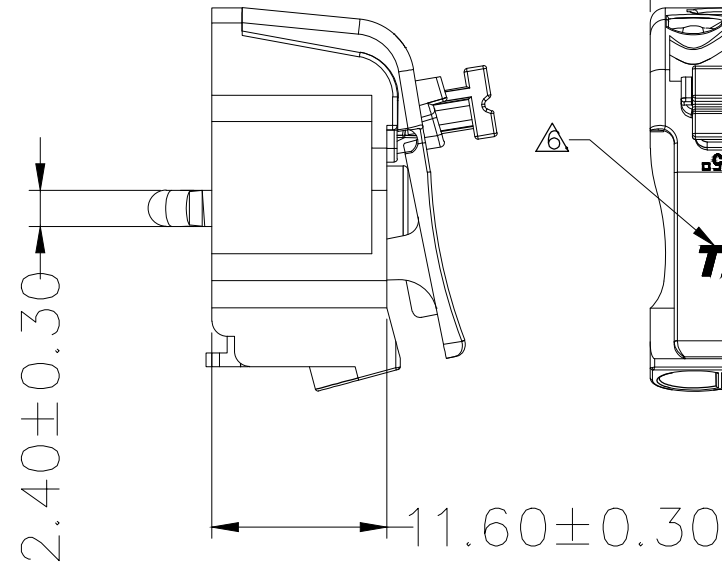
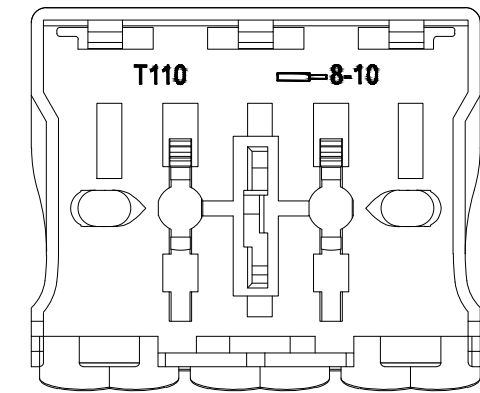
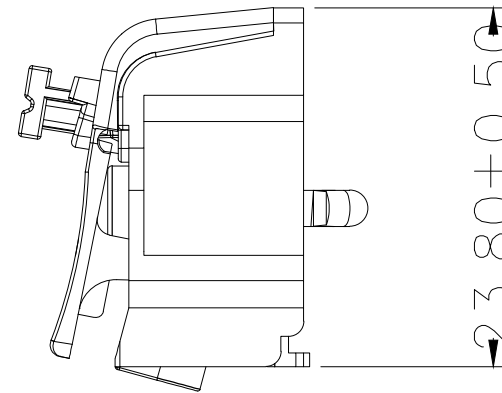
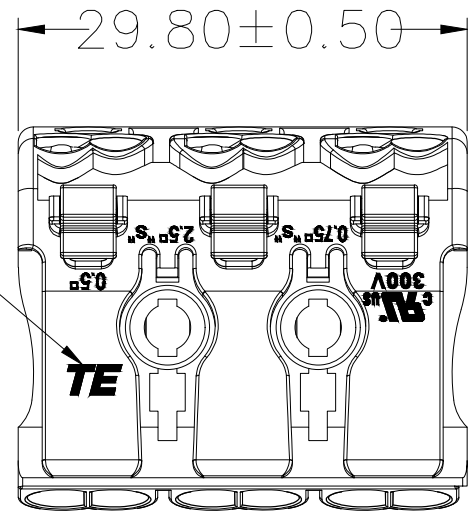
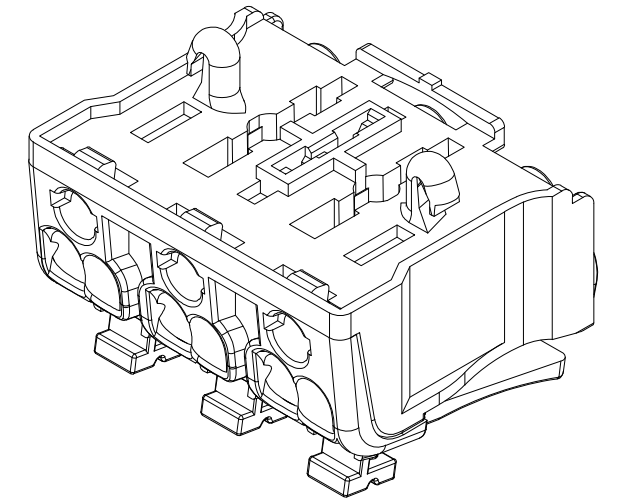
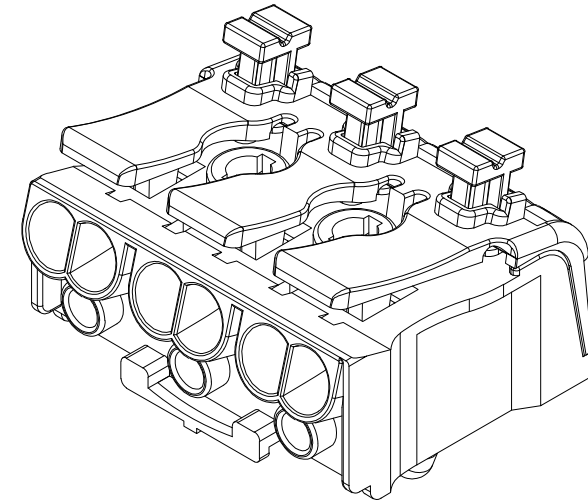
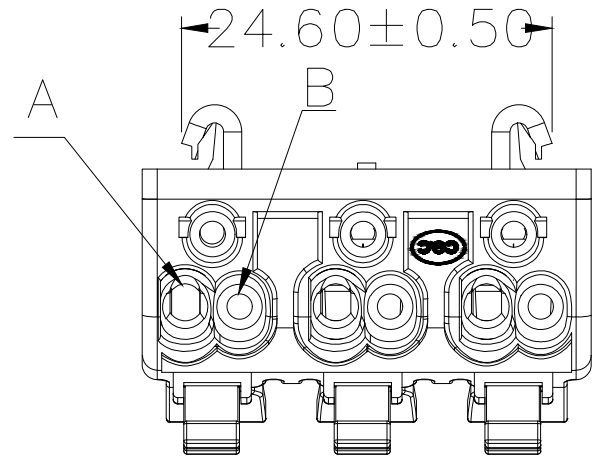
RELEASED FOR PUBLICATION

ALL RIGHTS RESERVED.

© COPYRIGHT - By -

REVISIONS

P	LTR	DESCRIPTION	DATE	DWN	APVD
-	-	SEE SHEET 1	-	-	-




NOTE:

- PART NUMBER: SEE TABLE.
- MATERIAL:
TERMINAL: BRASS & STAINLESS STEEL SPRING.
HOUSING: PA UL94-V2 & PC UL94-V2.
- FINISH
TERMINAL: NICKEL PLATED.
- PACKAGING: PLASTIC BAG.
- APPLICABLE WIRE:
A: 0.5-2.5MM², 20-14AWG SOLID WIRE.
0.5-1.5MM², 20-16AWG TIN-DIPPED OR WELL FERRULED STRANDED WIRE.
B: 0.5-1.5MM², 20-16AWG SOLID WIRE.
0.5-0.75MM², 20-18AWG TIN-DIPPED OR WELL FERRULED STRANDED WIRE.
C: 0.5-2.5MM², 20-14AWG SOLID OR STRANDED WIRE.

△ LOGO MARK APPROXIMATION LOCATION.

3-2834242-7	WHITE
PART NUMBER	PART COLOR

THIS DRAWING IS A CONTROLLED DOCUMENT.		DWN	ZHANG WEI	12DEC2016	 TE Connectivity	NAME			RESTRICTED TO
DIMENSIONS:		CHK	SHI MING	12DEC2016		PUSH WIRE CONNECTOR			
mm		APVD	XU XIANG	12DEC2016		-			
TOLERANCES UNLESS OTHERWISE SPECIFIED:		PRODUCT SPEC	108-137270			-			
0 PLC	± 1	APPLICATION SPEC	114-137270		SIZE	CAGE CODE	DRAWING NO	RESTRICTED TO	
1 PLC	± 1	WEIGHT	8.22g		A3	00779	C-2834242	-	
2 PLC	± 1	CUSTOMER DRAWING		SCALE	2:1		SHEET	16 of 38	
3 PLC	± 1						REV	C	
4 PLC	± 1								
ANGLES	± 5								
MATERIAL	-								
FINISH	-								

THIS DRAWING IS UNPUBLISHED.

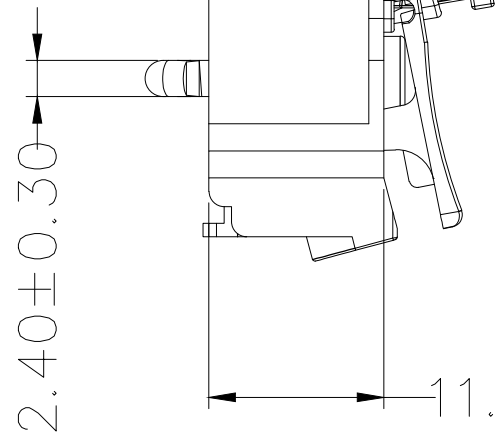
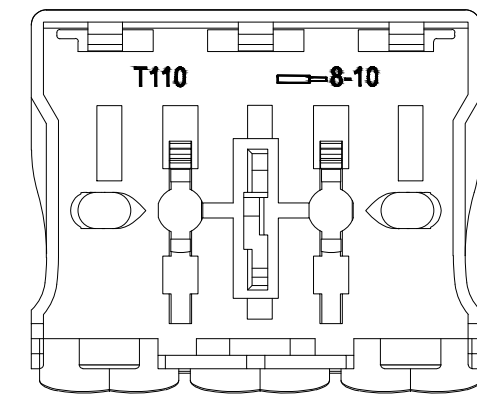
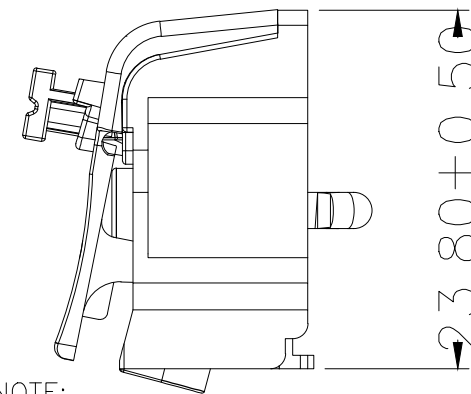
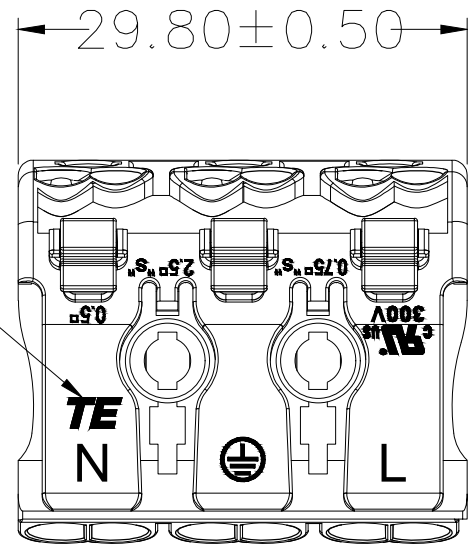
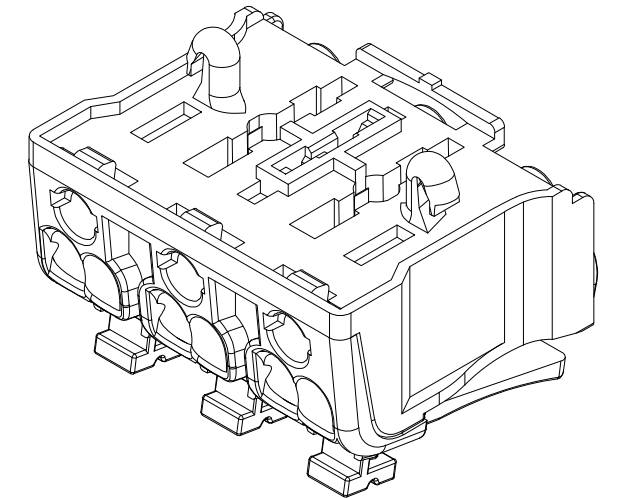
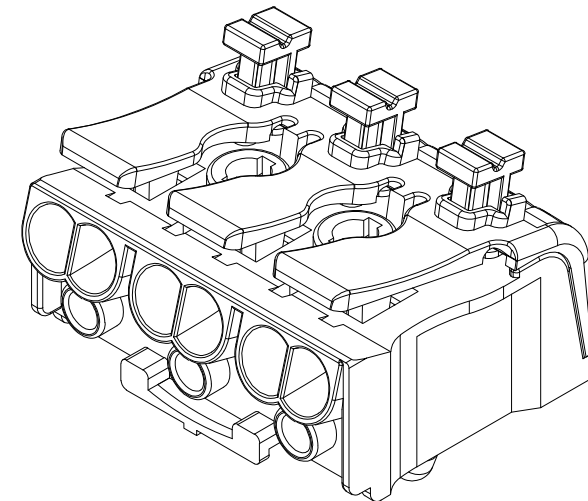
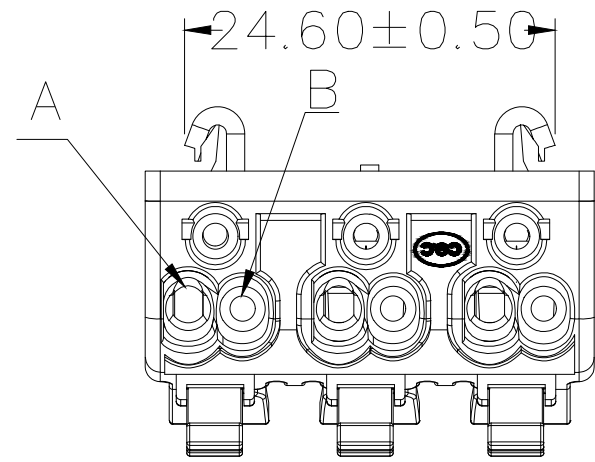
RELEASED FOR PUBLICATION

REVISIONS

© COPYRIGHT - By -

ALL RIGHTS RESERVED.

P	LTR	DESCRIPTION	DATE	DWN	APVD
-	-	SEE SHEET 1	-	-	-

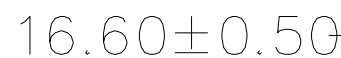
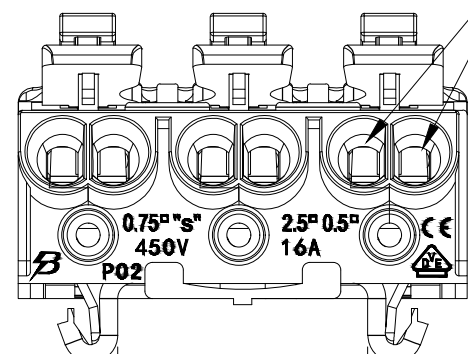


NOTE:

- PART NUMBER: SEE TABLE.
- MATERIAL:
TERMINAL: BRASS & STAINLESS STEEL SPRING.
HOUSING: PA UL94-V2 & PC UL94-V2.
- FINISH
TERMINAL: NICKEL PLATED.
- PACKAGING: PLASTIC BAG.
- APPLICABLE WIRE:
A: 0.5-2.5MM², 20-14AWG SOLID WIRE.
0.5-1.5MM², 20-16AWG TIN-DIPPED OR WELL FERRULED STRANDED WIRE.
B: 0.5-1.5MM², 20-16AWG SOLID WIRE.
0.5-0.75MM², 20-18AWG TIN-DIPPED OR WELL FERRULED STRANDED WIRE.
C: 0.5-2.5MM², 20-14AWG SOLID OR STRANDED WIRE.

△ LOGO MARK APPROXIMATION LOCATION.

3-2834242-8	WHITE
PART NUMBER	PART COLOR



THIS DRAWING IS A CONTROLLED DOCUMENT.		DWN	ZHANG WEI	12DEC2016	 TE Connectivity	NAME			RESTRICTED TO
DIMENSIONS:		CHK	SHI MING	12DEC2016		PUSH WIRE CONNECTOR			
mm		APVD	XU XIANG	12DEC2016		-			
TOLERANCES UNLESS OTHERWISE SPECIFIED:		PRODUCT SPEC	108-137270			-			
0 PLC	± 1	APPLICATION SPEC	114-137270		SIZE	CAGE CODE	DRAWING NO	RESTRICTED TO	
1 PLC	± 1	WEIGHT	8.22g		A3	00779	C-2834242	-	
2 PLC	± 1	CUSTOMER DRAWING		SCALE	2:1		SHEET	17 of 38	
3 PLC	± 1						REV	C	
4 PLC	± 1								
ANGLES	± 5								
MATERIAL	-								
FINISH	-								

THIS DRAWING IS UNPUBLISHED.

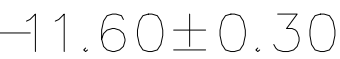
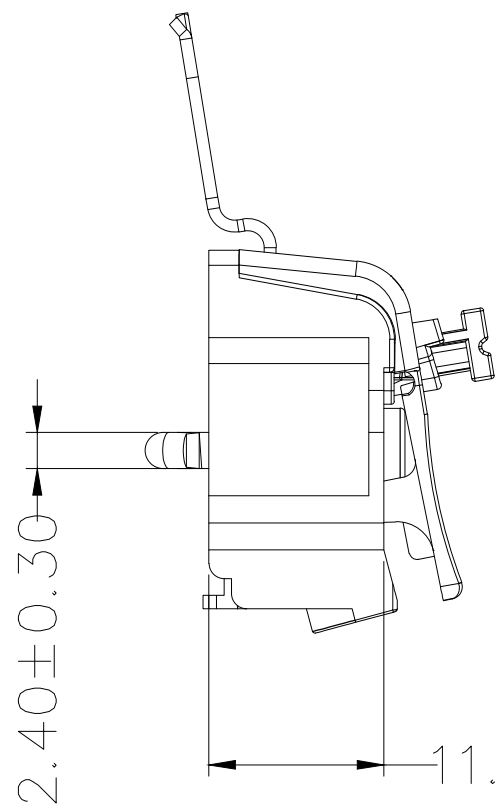
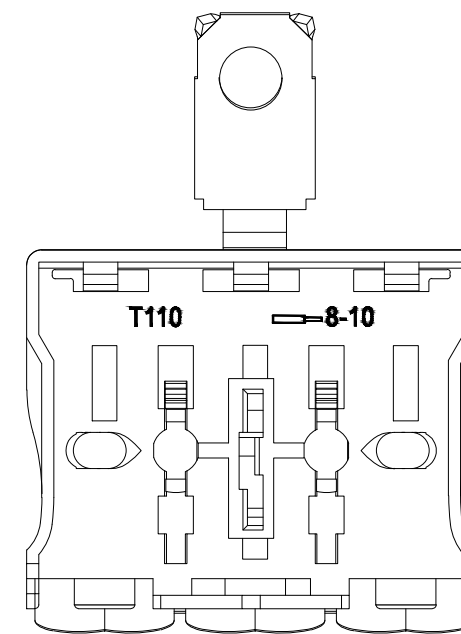
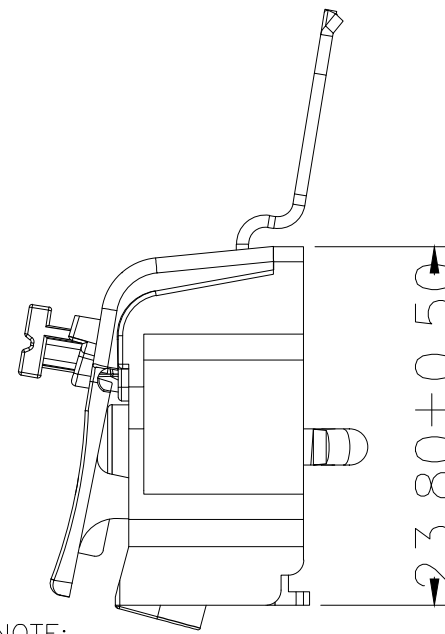
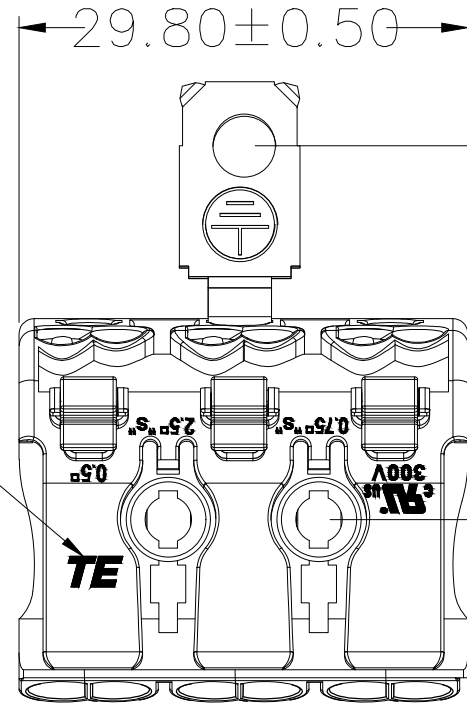
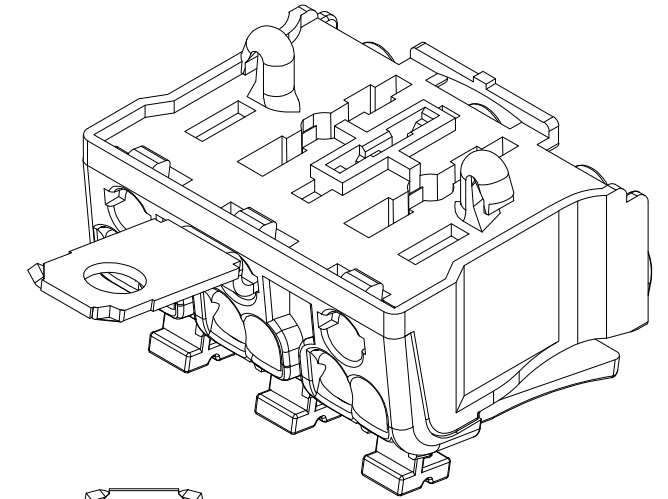
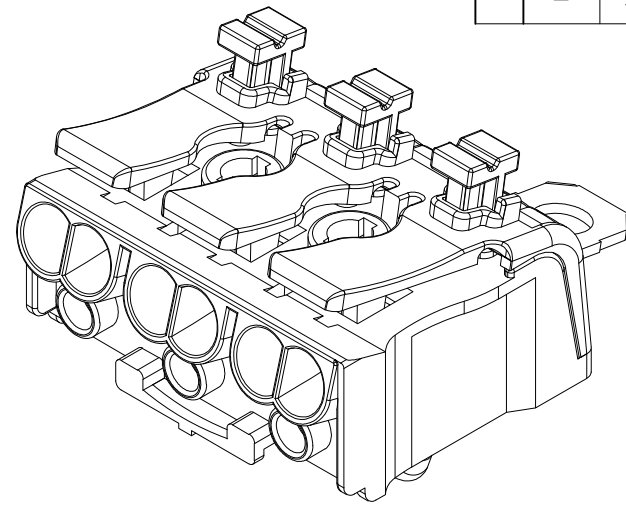
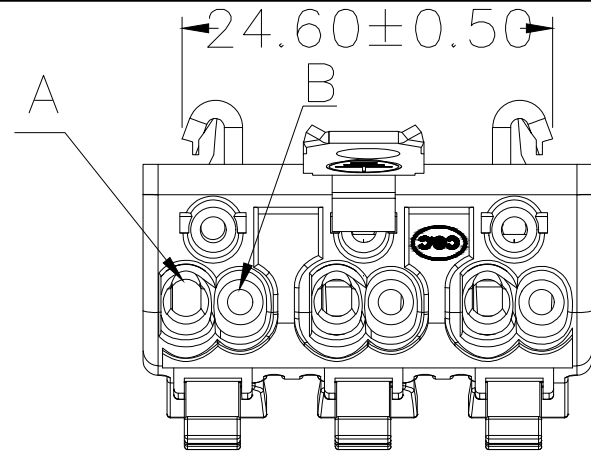
RELEASED FOR PUBLICATION

ALL RIGHTS RESERVED.

© COPYRIGHT - By -

REVISIONS

P	LTR	DESCRIPTION	DATE	DWN	APVD
-	-	SEE SHEET 1	-	-	-

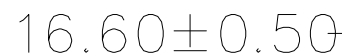
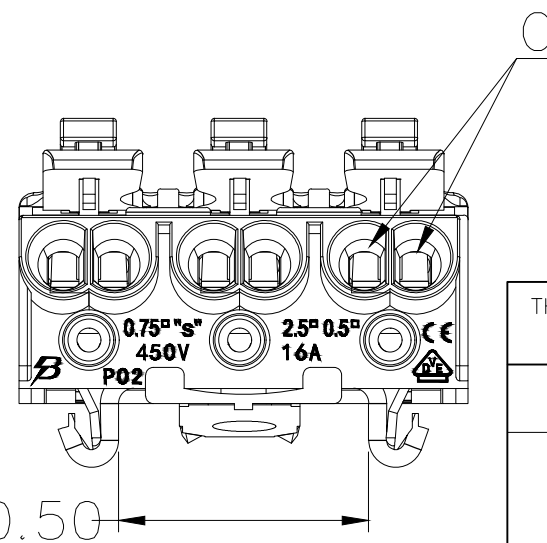


NOTE:

- PART NUMBER: SEE TABLE.
- MATERIAL:
TERMINAL: BRASS & STAINLESS STEEL SPRING.
HOUSING: PA UL94-V2 & PC UL94-V2.
- FINISH
TERMINAL: NICKEL PLATED.
- PACKAGING: PLASTIC BAG.
- APPLICABLE WIRE:
A: 0.5-2.5MM², 20-14AWG SOLID WIRE.
0.5-1.5MM², 20-16AWG TIN-DIPPED OR WELL FERRULED STRANDED WIRE.
B: 0.5-1.5MM², 20-16AWG SOLID WIRE.
0.5-0.75MM², 20-18AWG TIN-DIPPED OR WELL FERRULED STRANDED WIRE.
C: 0.5-2.5MM², 20-14AWG SOLID OR STRANDED WIRE.

△ LOGO MARK APPROXIMATION LOCATION.

3-2834242-9	WHITE
PART NUMBER	PART COLOR



THIS DRAWING IS A CONTROLLED DOCUMENT.

DIMENSIONS:	TOLERANCES UNLESS OTHERWISE SPECIFIED:
mm	
0 PLC	± 1
1 PLC	± 1
2 PLC	± 1
3 PLC	± 1
4 PLC	± 1
ANGLES	± 5
MATERIAL	FINISH
-	-

DWN	ZHANG WEI	12DEC2016
CHK	SHI MING	12DEC2016
APVD	XU XIANG	12DEC2016
PRODUCT SPEC	108-137270	
APPLICATION SPEC	114-137270	
WEIGHT	9.070g	
CUSTOMER DRAWING		

TE Connectivity			PUSH WIRE CONNECTOR		
					SIZE
A3			00779	C-2834242	-
SCALE			2:1	SHEET	18 of 38
				REV	C

THIS DRAWING IS UNPUBLISHED.

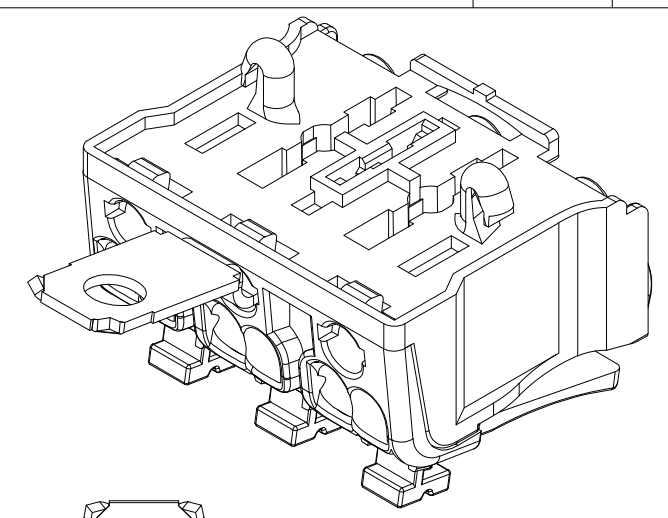
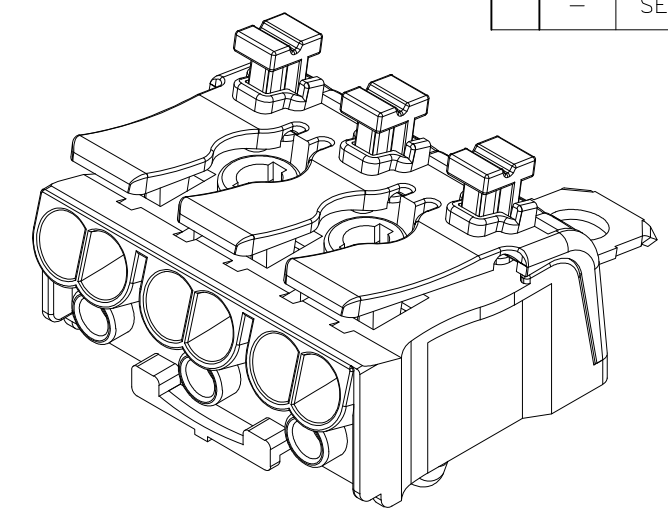
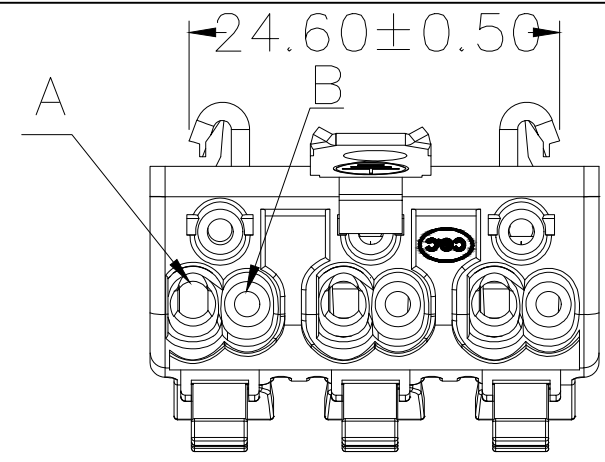
RELEASED FOR PUBLICATION

ALL RIGHTS RESERVED.

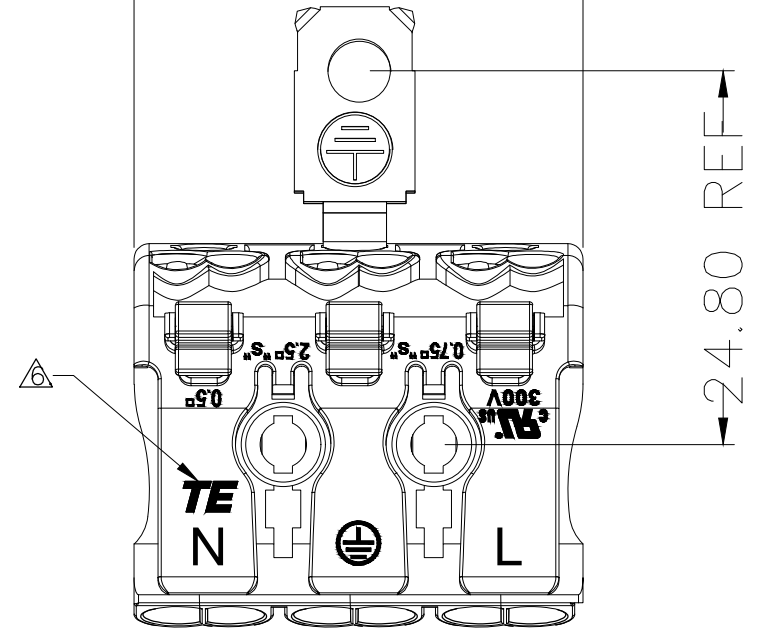
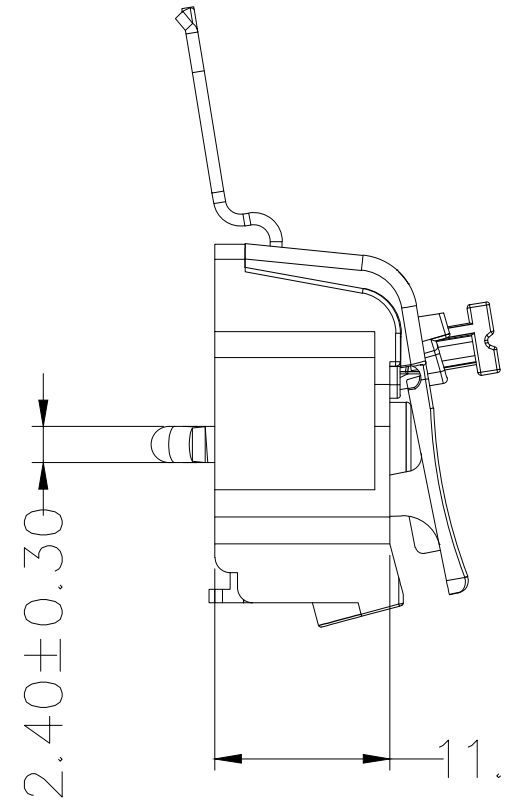
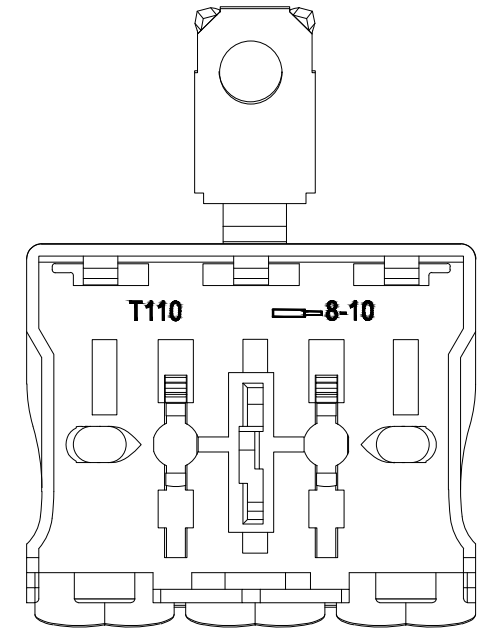
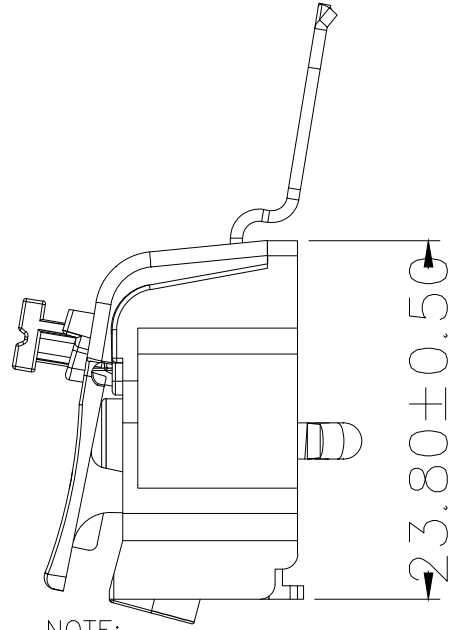
© COPYRIGHT - By -

REVISIONS

P	LTR	DESCRIPTION	DATE	DWN	APVD
-	-	SEE SHEET 1	-	-	-

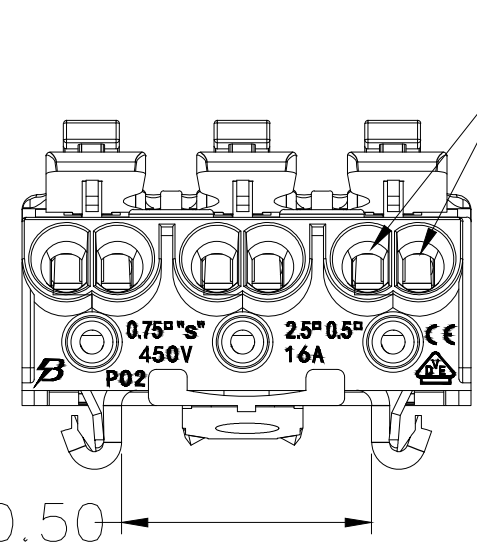


29.80±0.50



- NOTE:
- PART NUMBER: SEE TABLE.
 - MATERIAL:
TERMINAL: BRASS & STAINLESS STEEL SPRING.
HOUSING: PA UL94-V2 & PC UL94-V2.
 - FINISH
TERMINAL: NICKEL PLATED.
 - PACKAGING: PLASTIC BAG.
 - APPLICABLE WIRE:
A: 0.5-2.5MM², 20-14AWG SOLID WIRE.
0.5-1.5MM², 20-16AWG TIN-DIPPED OR WELL FERRULED STRANDED WIRE.
B: 0.5-1.5MM², 20-16AWG SOLID WIRE.
0.5-0.75MM², 20-18AWG TIN-DIPPED OR WELL FERRULED STRANDED WIRE.
C: 0.5-2.5MM², 20-14AWG SOLID OR STRANDED WIRE.
- ⚠ LOGO MARK APPROXIMATION LOCATION.

3-2834242-0	WHITE
PART NUMBER	PART COLOR



16.60±0.50

THIS DRAWING IS A CONTROLLED DOCUMENT.

DIMENSIONS:	TOLERANCES UNLESS OTHERWISE SPECIFIED:
mm	
0 PLC	± 1
1 PLC	± 1
2 PLC	± 1
3 PLC	± 1
4 PLC	± 1
ANGLES	± 5
MATERIAL	FINISH
-	-

DWN	ZHANG WEI	12DEC2016
CHK	SHI MING	12DEC2016
APVD	XU XIANG	12DEC2016
PRODUCT SPEC	108-137270	
APPLICATION SPEC	114-137270	
WEIGHT	9.070g	
CUSTOMER DRAWING		

		TE Connectivity	
		PUSH WIRE CONNECTOR	
SIZE	CAGE CODE	DRAWING NO	RESTRICTED TO
A3	00779	C-2834242	-
SCALE		SHEET	REV
2:1		19 of 38	C

THIS DRAWING IS UNPUBLISHED.

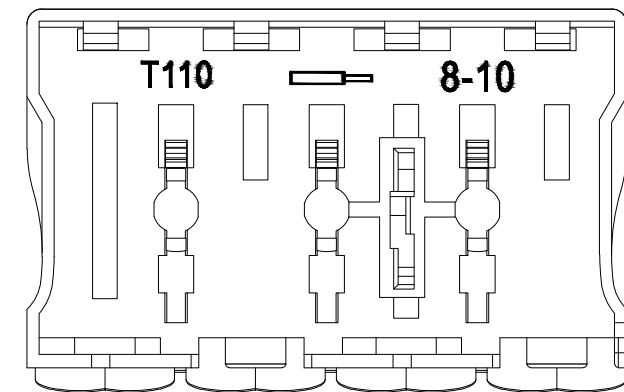
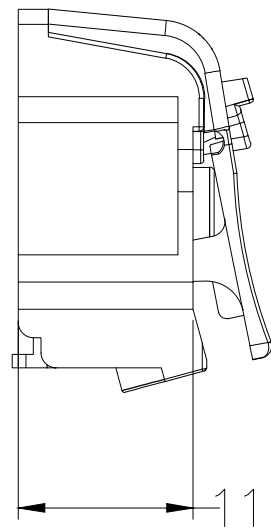
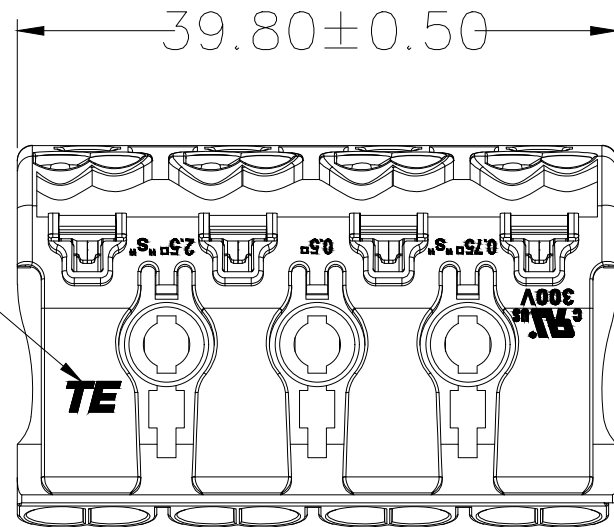
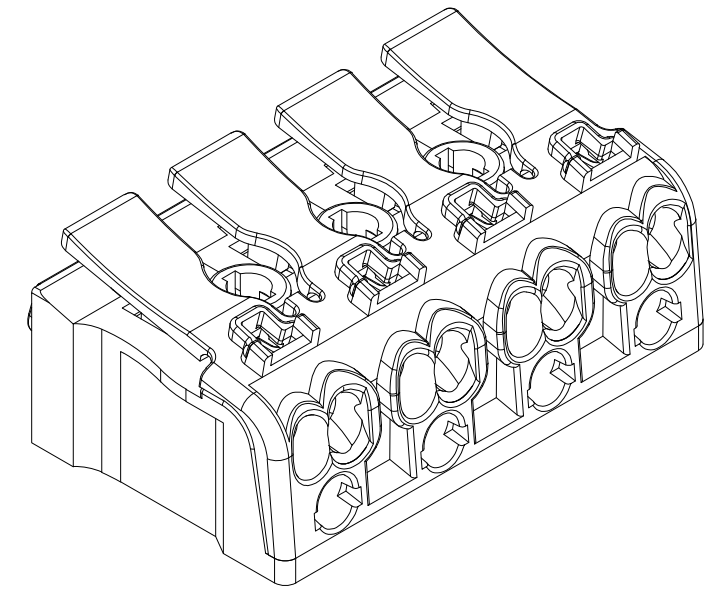
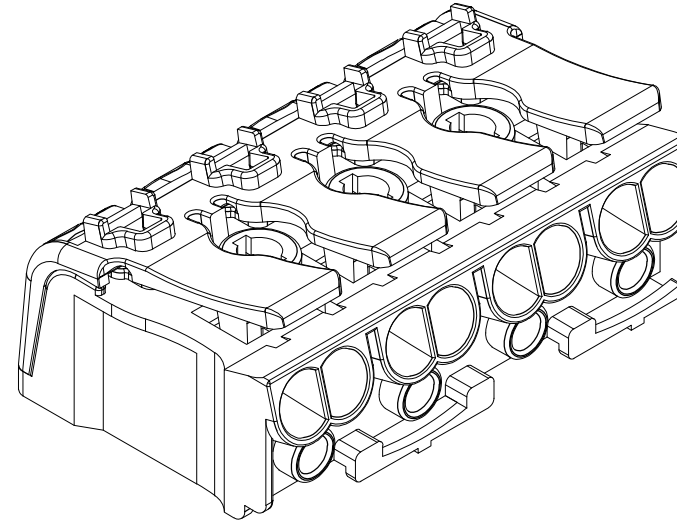
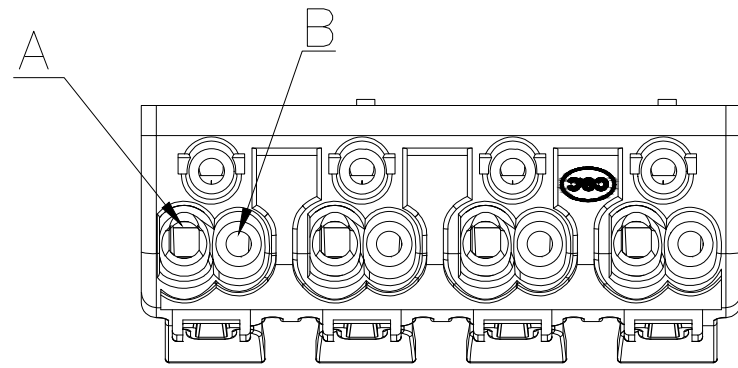
RELEASED FOR PUBLICATION

ALL RIGHTS RESERVED.

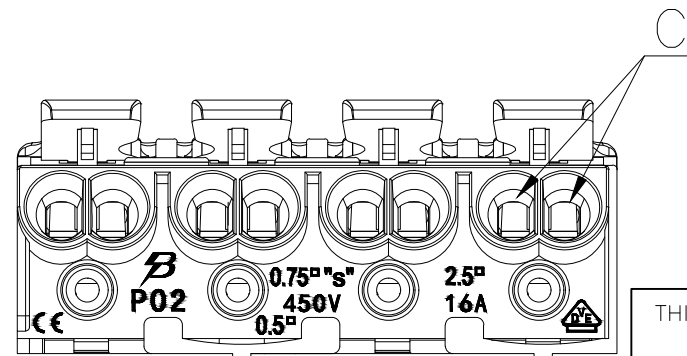
© COPYRIGHT - By -

REVISIONS

P	LTR	DESCRIPTION	DATE	DWN	APVD
-	-	SEE SHEET 1	-	-	-



- NOTE:
- PART NUMBER: SEE TABLE.
 - MATERIAL:
TERMINAL: BRASS & STAINLESS STEEL SPRING.
HOUSING: PA UL94-V2 & PC UL94-V2.
 - FINISH
TERMINAL: NICKEL PLATED.
 - PACKAGING: PLASTIC BAG.
 - APPLICABLE WIRE:
A: 0.5-2.5MM², 20-14AWG SOLID WIRE ONLY.
B: 0.5-1.5MM², 20-16AWG SOLID WIRE ONLY.
C: 0.5-2.5MM², 20-14AWG SOLID OR STRANDED WIRE.
- △ LOGO MARK APPROXIMATION LOCATION.



THIS DRAWING IS A CONTROLLED DOCUMENT.

DIMENSIONS:	TOLERANCES UNLESS OTHERWISE SPECIFIED:
mm	
	0 PLC ± 1
	1 PLC ± 1
	2 PLC ± 1
	3 PLC ± 1
	4 PLC ± 1
	ANGLES ± 5
MATERIAL	FINISH
-	-

DWN	ZHANG WEI	12DEC2016
CHK	SHI MING	12DEC2016
APVD	XU XIANG	12DEC2016
PRODUCT SPEC	108-137270	
APPLICATION SPEC	114-137270	
WEIGHT	10.49g	
CUSTOMER DRAWING		

4-2834242-1		WHITE	
PART NUMBER		PART COLOR	
STE TE Connectivity			
PUSH WIRE CONNECTOR			
SIZE	CAGE CODE	DRAWING NO	RESTRICTED TO
A3	00779	C-2834242	-
SCALE		SHEET	REV
2:1		20 of 38	C

THIS DRAWING IS UNPUBLISHED.

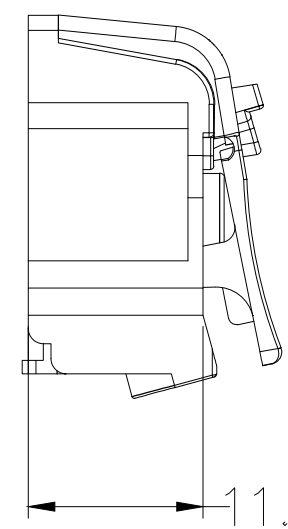
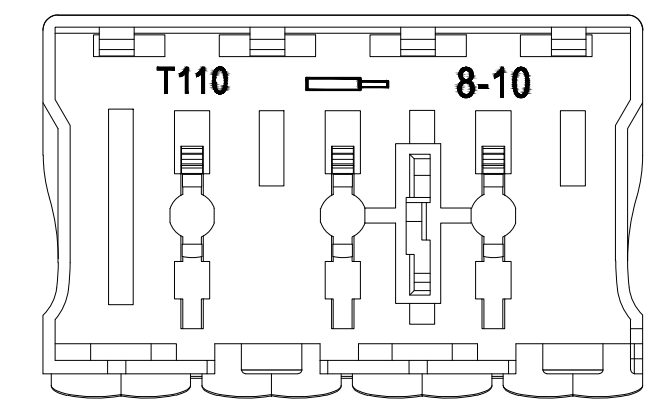
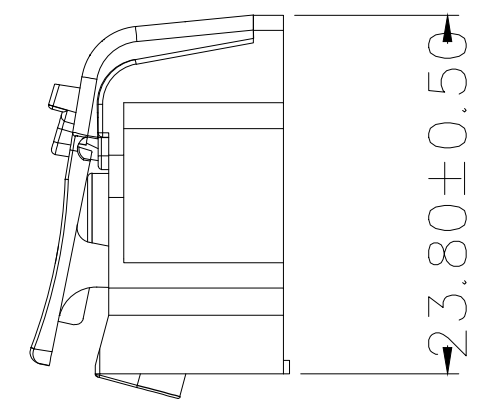
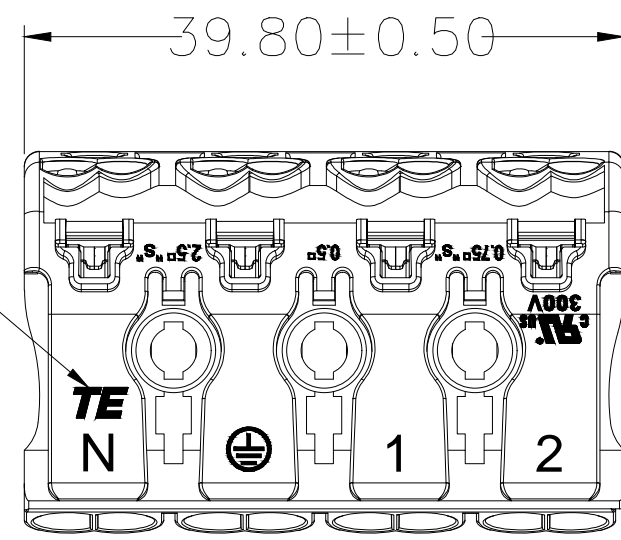
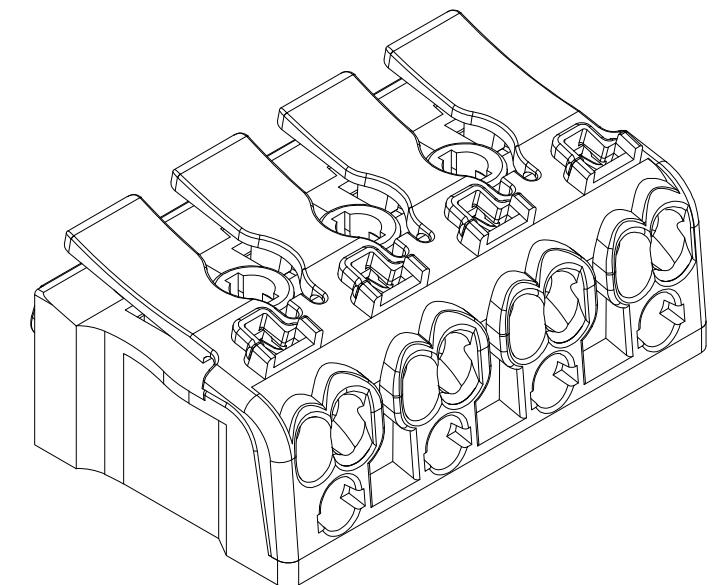
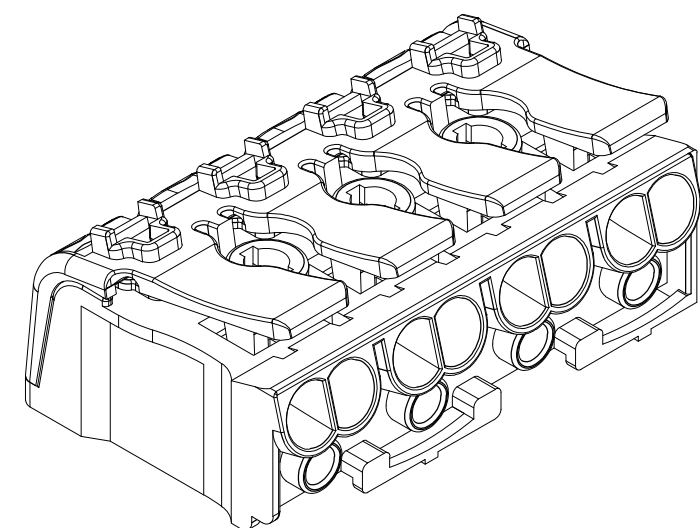
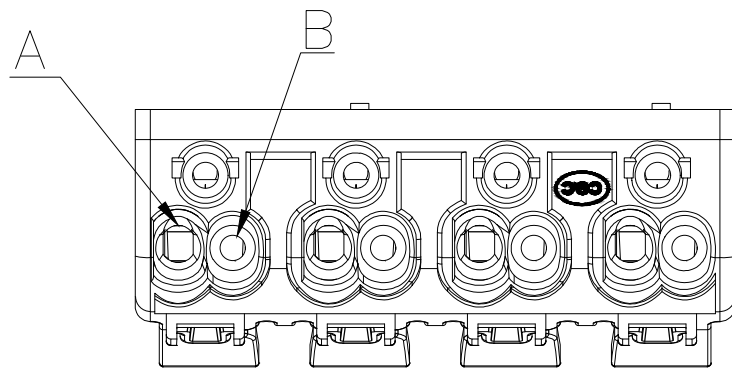
RELEASED FOR PUBLICATION

ALL RIGHTS RESERVED.

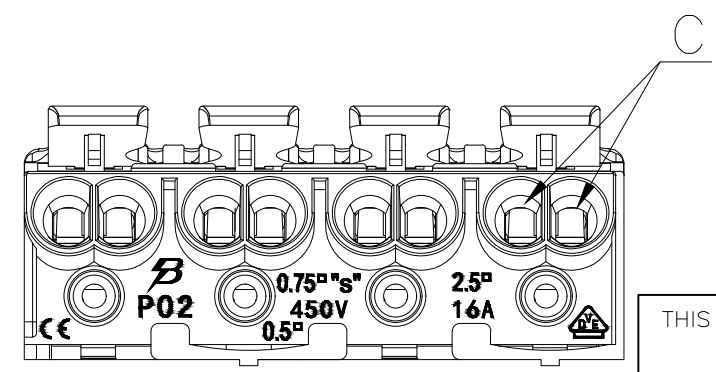
© COPYRIGHT - By -

REVISIONS

P	LTR	DESCRIPTION	DATE	DWN	APVD
-	-	SEE SHEET 1	-	-	-



- NOTE:
- PART NUMBER: SEE TABLE.
 - MATERIAL:
TERMINAL: BRASS & STAINLESS STEEL SPRING.
HOUSING: PA UL94-V2 & PC UL94-V2.
 - FINISH
TERMINAL: NICKEL PLATED.
 - PACKAGING: PLASTIC BAG.
 - APPLICABLE WIRE:
A: 0.5-2.5MM², 20-14AWG SOLID WIRE ONLY.
B: 0.5-1.5MM², 20-16AWG SOLID WIRE ONLY.
C: 0.5-2.5MM², 20-14AWG SOLID OR STRANDED WIRE.
- △ LOGO MARK APPROXIMATION LOCATION.



THIS DRAWING IS A CONTROLLED DOCUMENT.

DIMENSIONS:	TOLERANCES UNLESS OTHERWISE SPECIFIED:
mm	
	0 PLC ±1
	1 PLC ±1
	2 PLC ±1
	3 PLC ±1
	4 PLC ±1
	ANGLES ±5
MATERIAL	FINISH
-	-

DWN	ZHANG WEI	12DEC2016
CHK	SHI MING	12DEC2016
APVD	XU XIANG	12DEC2016
PRODUCT SPEC	108-137270	
APPLICATION SPEC	114-137270	
WEIGHT	10.49g	
CUSTOMER DRAWING		

4-2834242-2		WHITE	
PART NUMBER		PART COLOR	
STE TE Connectivity			
NAME PUSH WIRE CONNECTOR			
SIZE	CAGE CODE	DRAWING NO	RESTRICTED TO
A3	00779	C-2834242	-
SCALE		SHEET	REV
2:1		21 of 38	C

THIS DRAWING IS UNPUBLISHED.

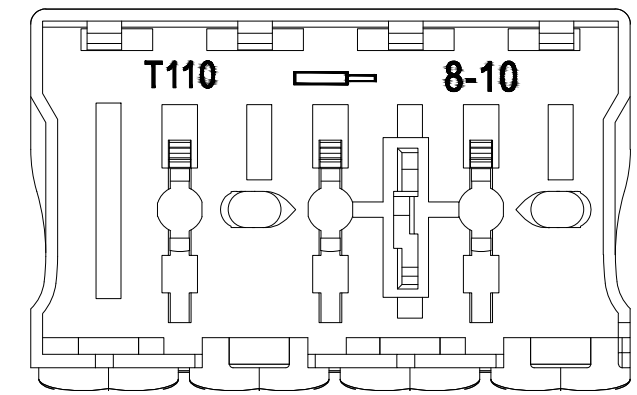
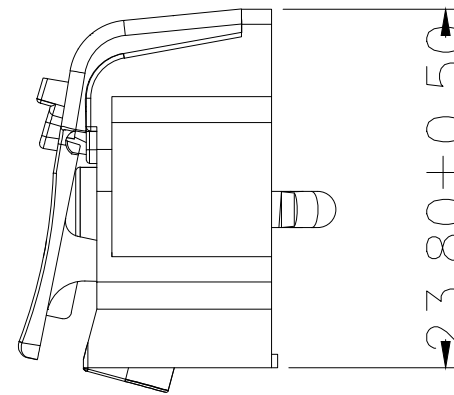
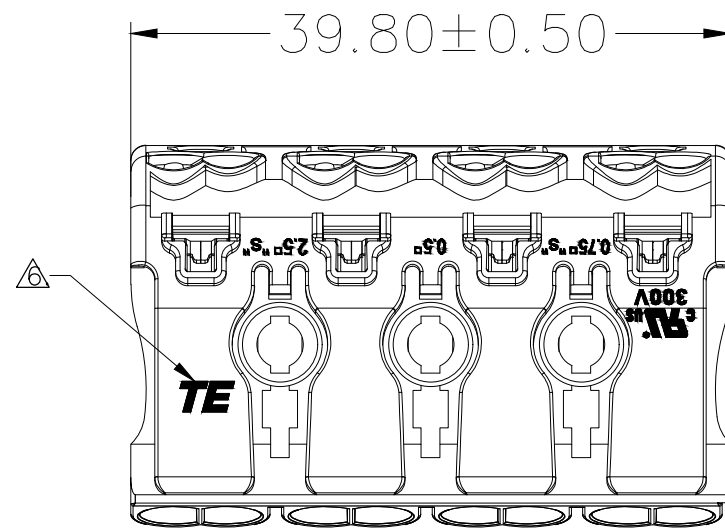
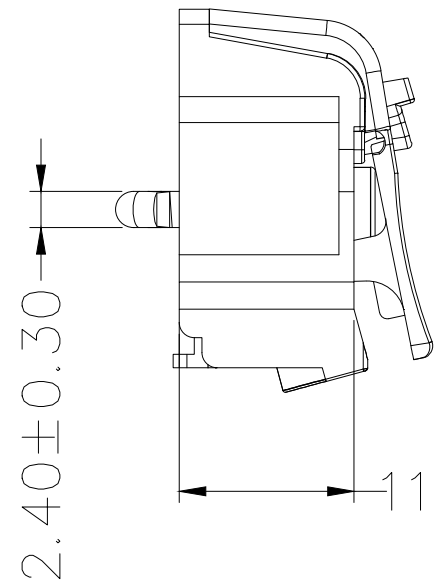
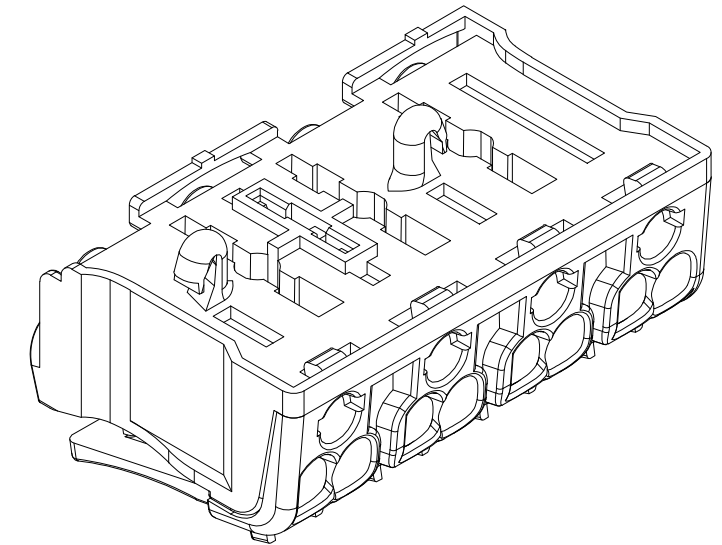
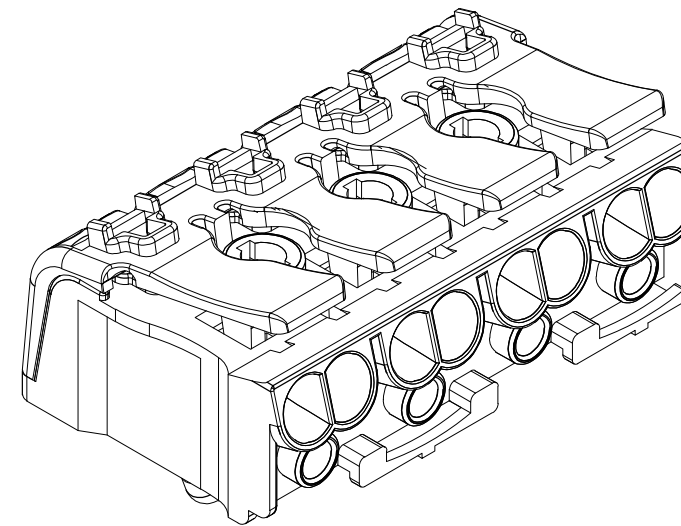
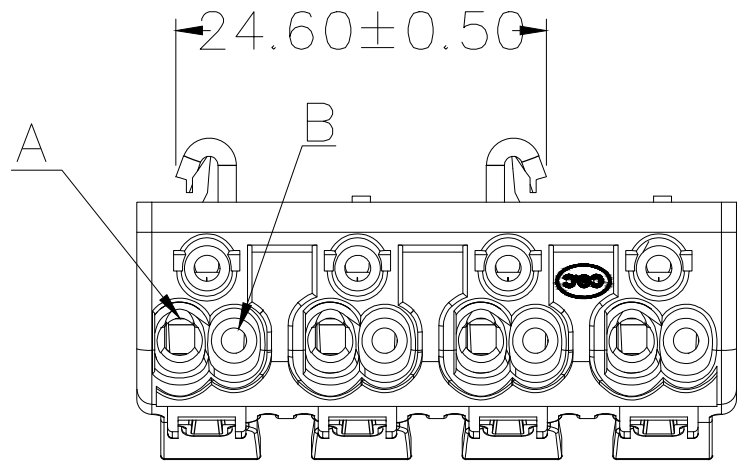
RELEASED FOR PUBLICATION

ALL RIGHTS RESERVED.

© COPYRIGHT - By -

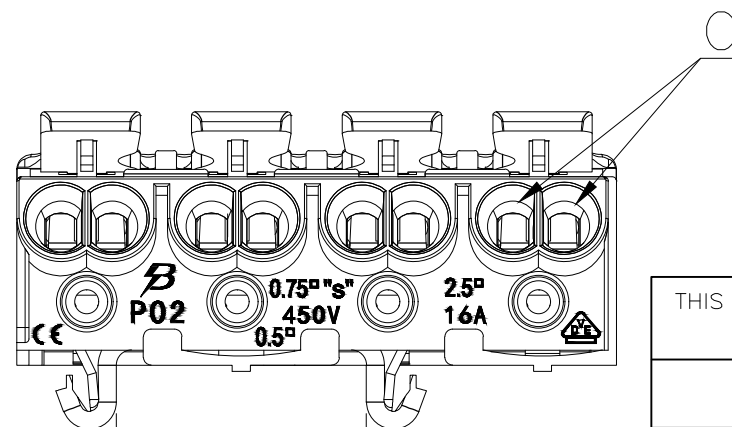
REVISIONS

P	LTR	DESCRIPTION	DATE	DWN	APVD
-	-	SEE SHEET 1	-	-	-



NOTE:

- PART NUMBER: SEE TABLE.
 - MATERIAL:
TERMINAL: BRASS & STAINLESS STEEL SPRING.
HOUSING: PA UL94-V2 & PC UL94-V2.
 - FINISH
TERMINAL: NICKEL PLATED.
 - PACKAGING: PLASTIC BAG.
 - APPLICABLE WIRE:
A: 0.5-2.5MM², 20-14AWG SOLID WIRE ONLY.
B: 0.5-1.5MM², 20-16AWG SOLID WIRE ONLY.
C: 0.5-2.5MM², 20-14AWG SOLID OR STRANDED WIRE.
- △ LOGO MARK APPROXIMATION LOCATION.



16.60 ± 0.50

THIS DRAWING IS A CONTROLLED DOCUMENT.

DIMENSIONS:	TOLERANCES UNLESS OTHERWISE SPECIFIED:
mm	
	0 PLC ± 1
	1 PLC ± 1
	2 PLC ± 1
	3 PLC ± 1
	4 PLC ± 1
	ANGLES ± 5
MATERIAL	FINISH
-	-

DWN	ZHANG WEI	12DEC2016
CHK	SHI MING	12DEC2016
APVD	XU XIANG	12DEC2016
PRODUCT SPEC	108-137270	
APPLICATION SPEC	114-137270	
WEIGHT	10.55g	
CUSTOMER DRAWING		

4-2834242-3		WHITE	
PART NUMBER		PART COLOR	
STE TE Connectivity			
NAME PUSH WIRE CONNECTOR			
SIZE	CAGE CODE	DRAWING NO	RESTRICTED TO
A3	00779	C-2834242	-
SCALE		SHEET	REV
2:1		22 of 38	C

THIS DRAWING IS UNPUBLISHED.

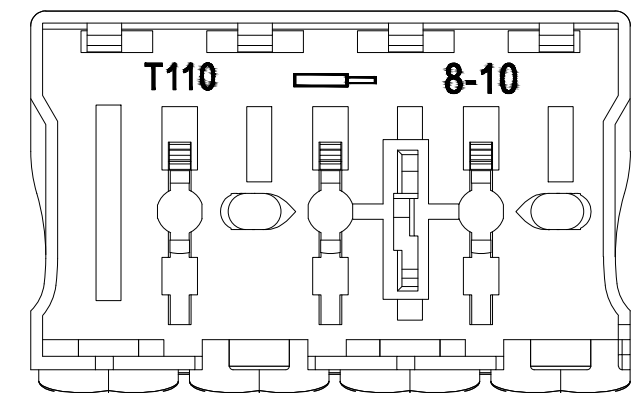
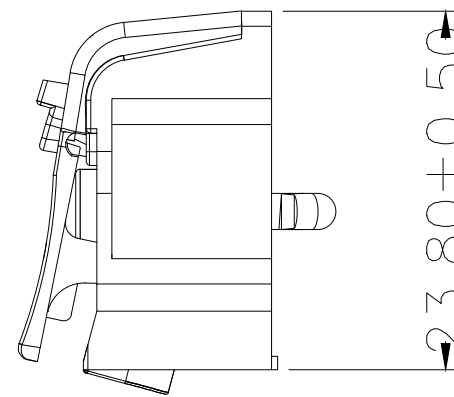
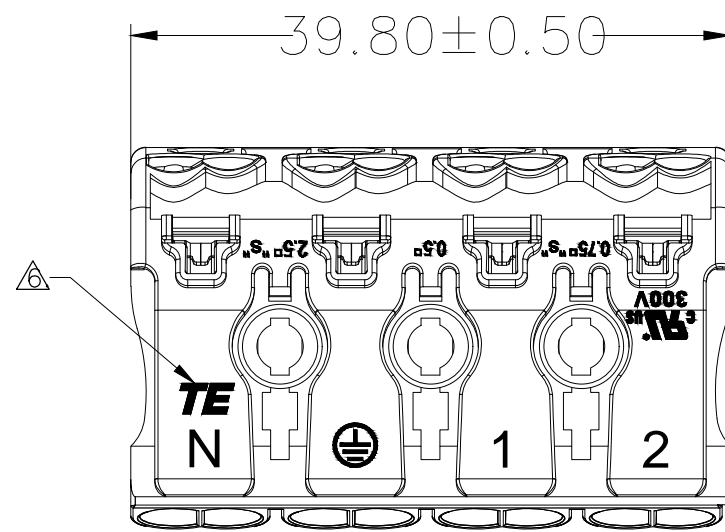
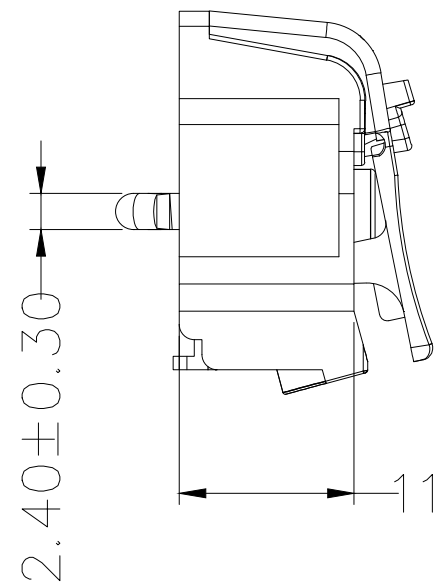
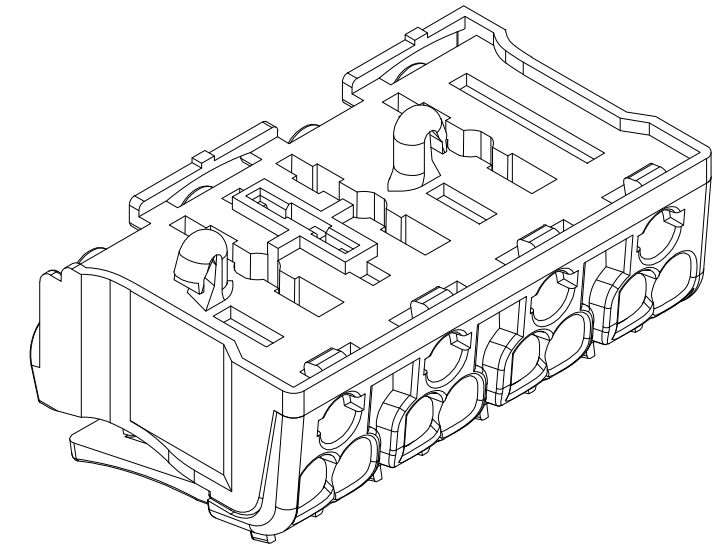
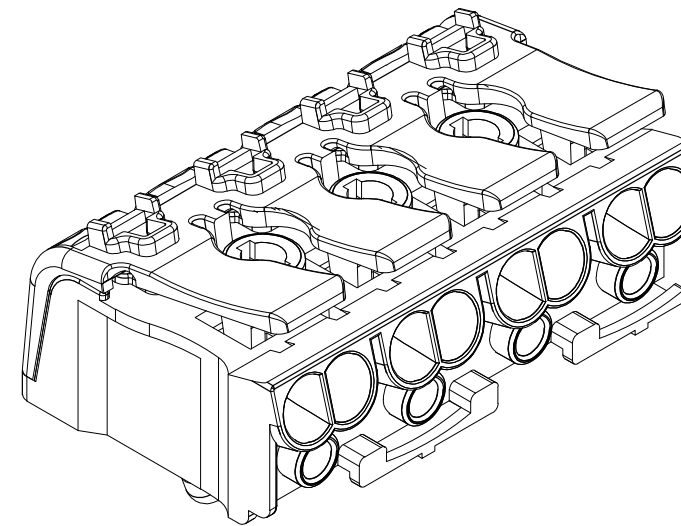
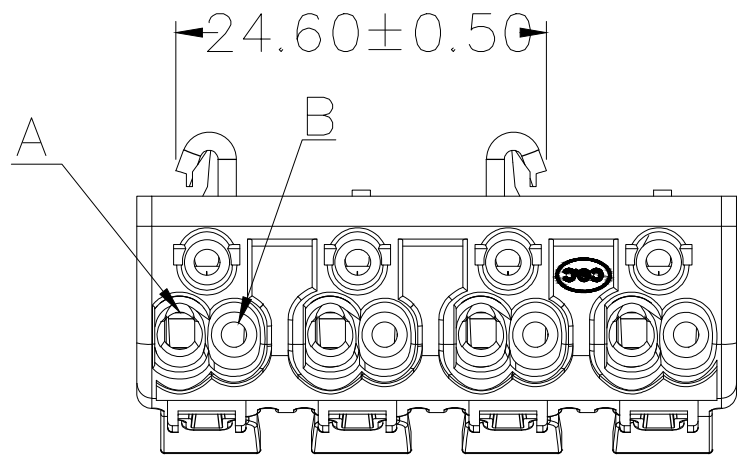
RELEASED FOR PUBLICATION

ALL RIGHTS RESERVED.

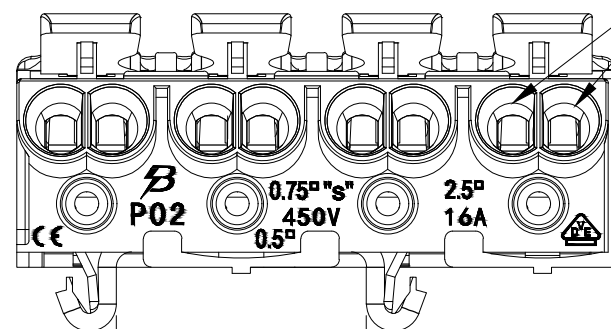
© COPYRIGHT - By -

REVISIONS

P	LTR	DESCRIPTION	DATE	DWN	APVD
-	-	SEE SHEET 1	-	-	-



- NOTE:
- PART NUMBER: SEE TABLE.
 - MATERIAL:
TERMINAL: BRASS & STAINLESS STEEL SPRING.
HOUSING: PA UL94-V2 & PC UL94-V2.
 - FINISH
TERMINAL: NICKEL PLATED.
 - PACKAGING: PLASTIC BAG.
 - APPLICABLE WIRE:
A: 0.5-2.5MM², 20-14AWG SOLID WIRE ONLY.
B: 0.5-1.5MM², 20-16AWG SOLID WIRE ONLY.
C: 0.5-2.5MM², 20-14AWG SOLID OR STRANDED WIRE.
- △ LOGO MARK APPROXIMATION LOCATION.



THIS DRAWING IS A CONTROLLED DOCUMENT.

DIMENSIONS:	TOLERANCES UNLESS OTHERWISE SPECIFIED:
mm	
	0 PLC ± 1
	1 PLC ± 1
	2 PLC ± 1
	3 PLC ± 1
	4 PLC ± 1
	ANGLES ± 5
MATERIAL	FINISH
-	-

DWN	ZHANG WEI	12DEC2016
CHK	SHI MING	12DEC2016
APVD	XU XIANG	12DEC2016
PRODUCT SPEC	108-137270	
APPLICATION SPEC	114-137270	
WEIGHT	10.55g	
CUSTOMER DRAWING		

4-2834242-4		WHITE	
PART NUMBER		PART COLOR	
STE TE Connectivity			
NAME PUSH WIRE CONNECTOR			
SIZE	CAGE CODE	DRAWING NO	RESTRICTED TO
A3	00779	C-2834242	-
SCALE		SHEET	REV
2:1		23 of 38	C

4

3

2

1

THIS DRAWING IS UNPUBLISHED.

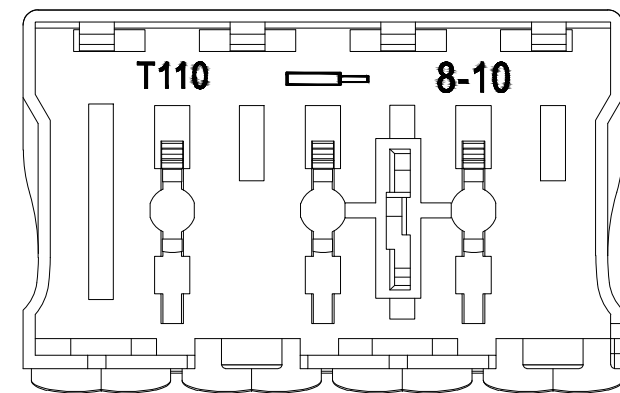
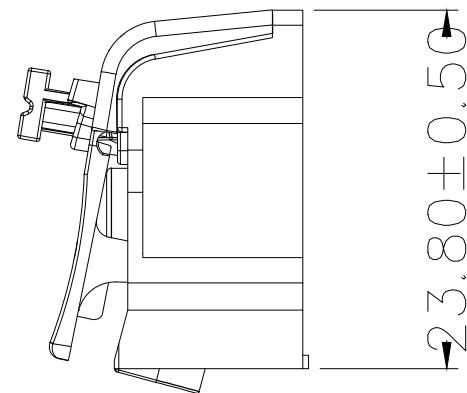
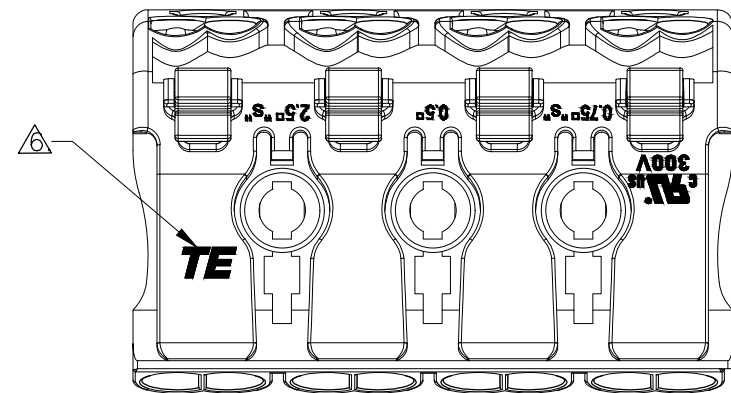
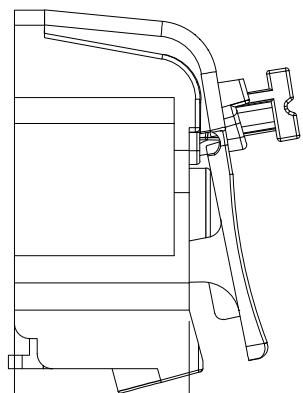
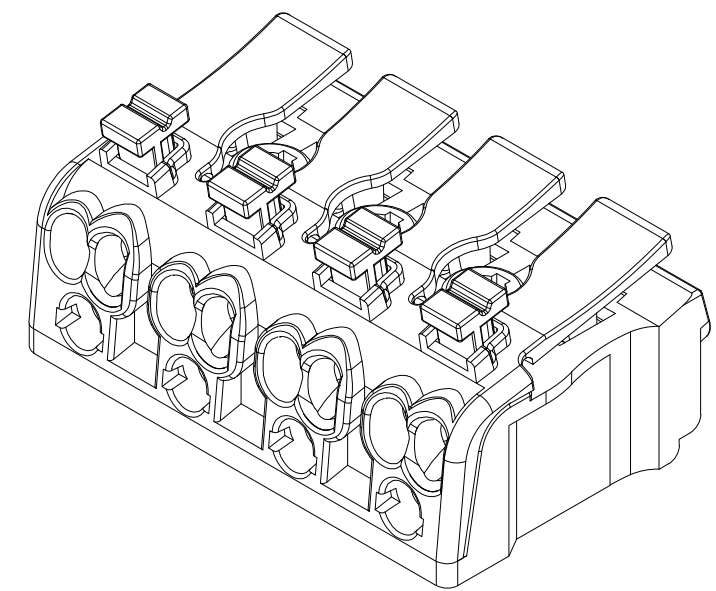
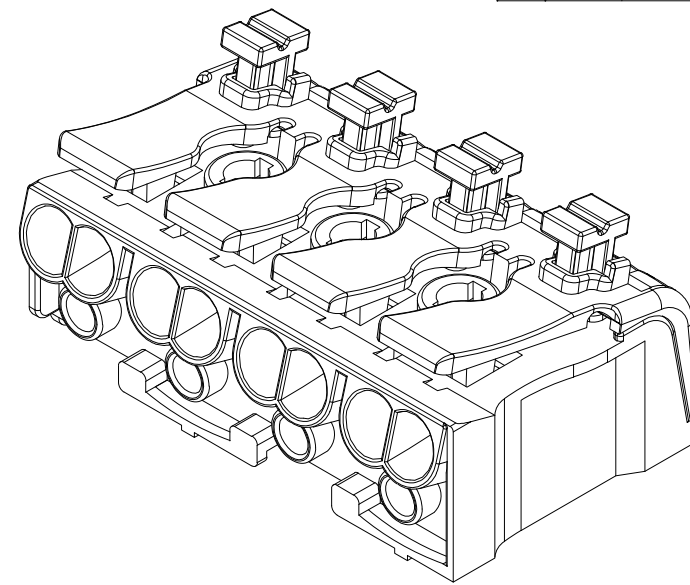
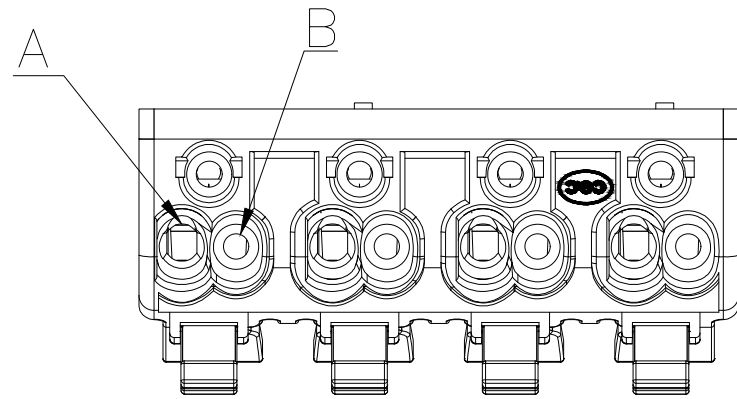
RELEASED FOR PUBLICATION

ALL RIGHTS RESERVED.

© COPYRIGHT - By -

REVISIONS

P	LTR	DESCRIPTION	DATE	DWN	APVD
-	-	SEE SHEET 1	-	-	-



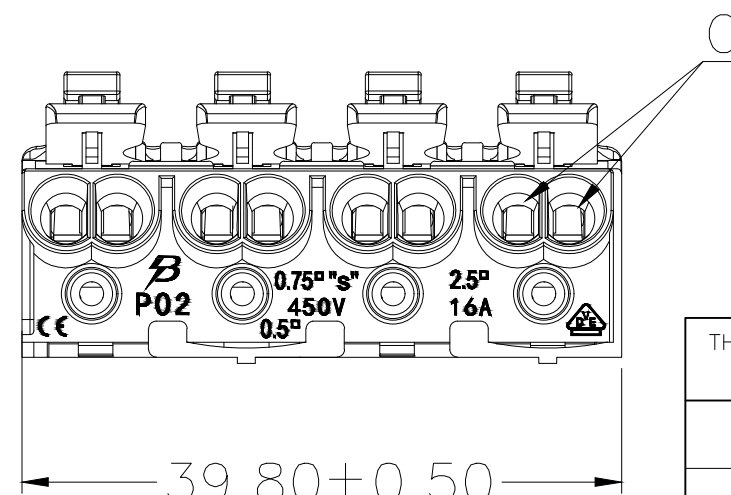
11.60 ± 0.30

NOTE:

- PART NUMBER: SEE TABLE.
- MATERIAL:
TERMINAL: BRASS & STAINLESS STEEL SPRING.
HOUSING: PA UL94-V2 & PC UL94-V2.
- FINISH
TERMINAL: NICKEL PLATED.
- PACKAGING: PLASTIC BAG.
- APPLICABLE WIRE:
A: 0.5-2.5MM², 20-14AWG SOLID WIRE.
0.5-1.5MM², 20-16AWG TIN-DIPPED OR WELL FERRULED STRANDED WIRE.
B: 0.5-1.5MM², 20-16AWG SOLID WIRE.
0.5-0.75MM², 20-18AWG TIN-DIPPED OR WELL FERRULED STRANDED WIRE.
C: 0.5-2.5MM², 20-14AWG SOLID OR STRANDED WIRE.

△ LOGO MARK APPROXIMATION LOCATION.

4-2834242-5	WHITE
PART NUMBER	PART COLOR



39.80 ± 0.50

THIS DRAWING IS A CONTROLLED DOCUMENT.

DIMENSIONS:	TOLERANCES UNLESS OTHERWISE SPECIFIED:
mm	
	0 PLC ± 1
	1 PLC ± 1
	2 PLC ± 1
	3 PLC ± 1
	4 PLC ± 1
	ANGLES ± 5
MATERIAL	FINISH
-	-

DWN	ZHANG WEI	12DEC2016
CHK	SHI MING	12DEC2016
APVD	XU XIANG	12DEC2016
PRODUCT SPEC	108-137270	
APPLICATION SPEC	114-137270	
WEIGHT	10.75g	
CUSTOMER DRAWING		

TE Connectivity		NAME		RESTRICTED TO
		PUSH WIRE CONNECTOR		
SIZE	CAGE CODE	DRAWING NO	-	
A3	00779	C-2834242	-	
SCALE		SHEET	REV	
2:1		24 of 38	C	

THIS DRAWING IS UNPUBLISHED.

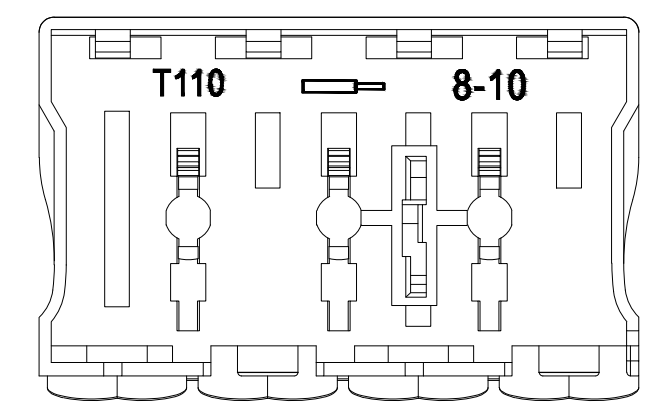
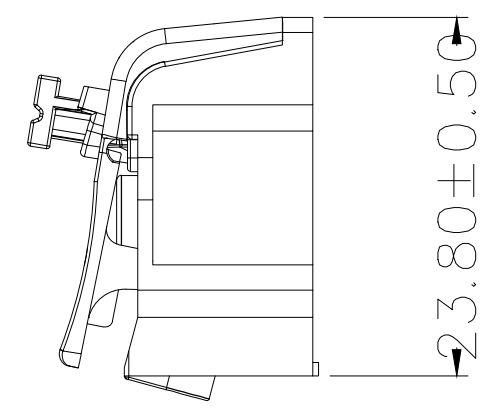
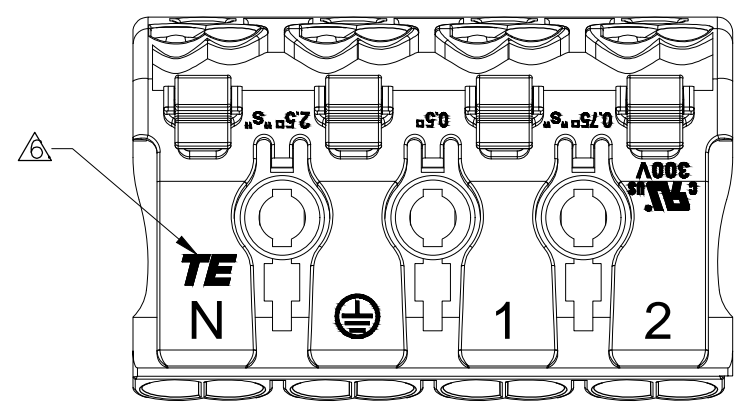
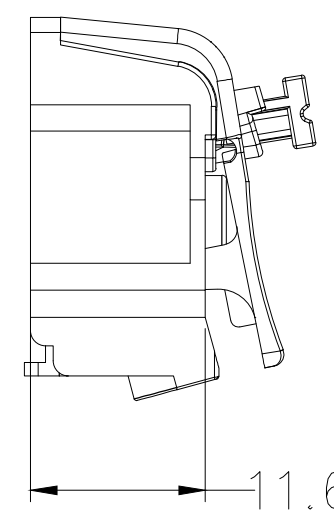
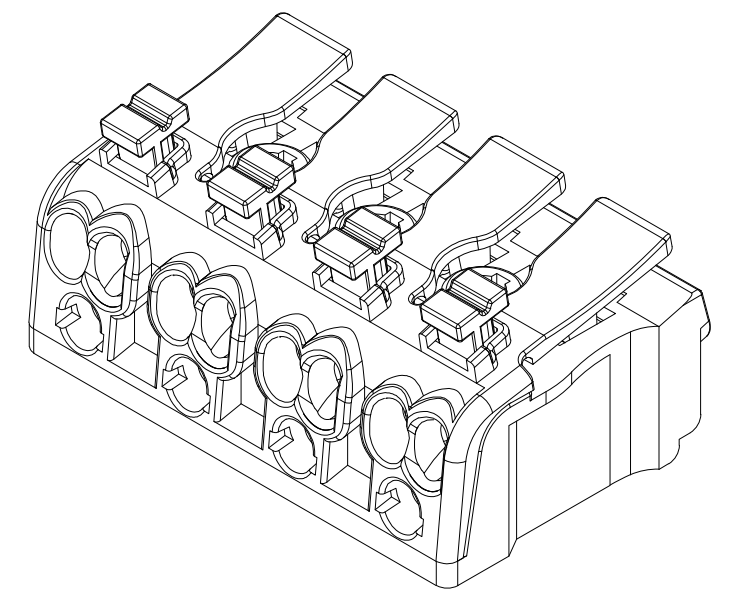
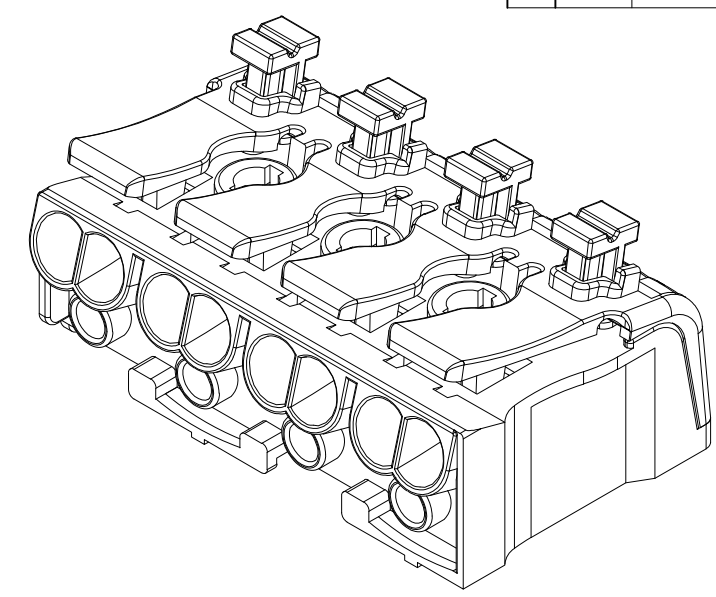
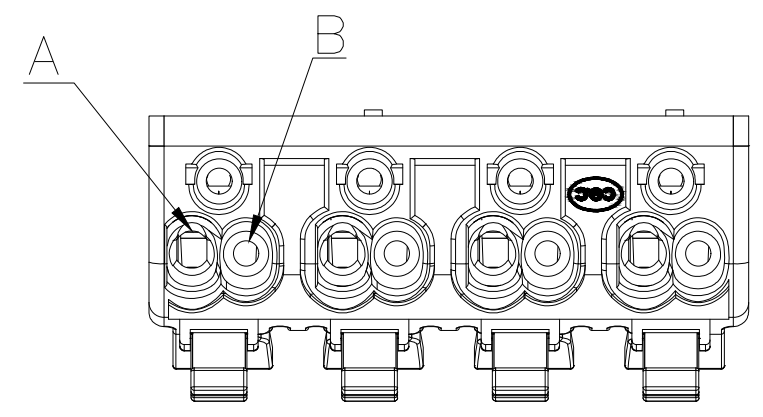
RELEASED FOR PUBLICATION

REVISIONS

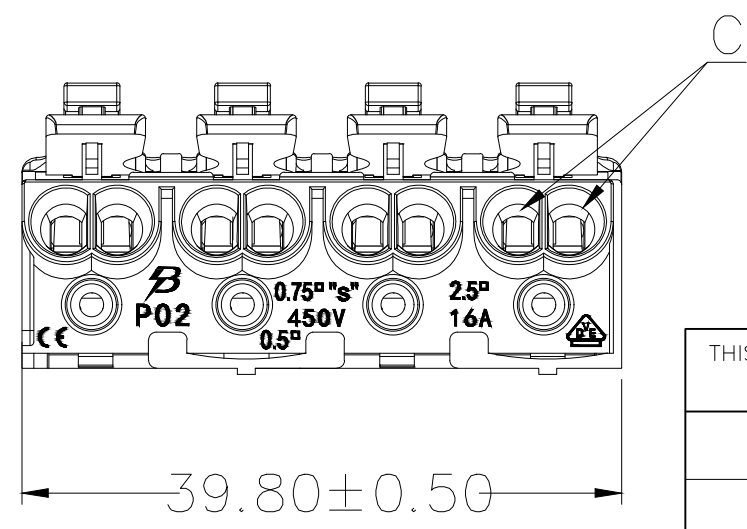
© COPYRIGHT - By -

ALL RIGHTS RESERVED.

P	LTR	DESCRIPTION	DATE	DWN	APVD
-	-	SEE SHEET 1	-	-	-



- NOTE:
- PART NUMBER: SEE TABLE.
 - MATERIAL:
TERMINAL: BRASS & STAINLESS STEEL SPRING.
HOUSING: PA UL94-V2 & PC UL94-V2.
 - FINISH
TERMINAL: NICKEL PLATED.
 - PACKAGING: PLASTIC BAG.
 - APPLICABLE WIRE:
A: 0.5-2.5MM², 20-14AWG SOLID WIRE.
0.5-1.5MM², 20-16AWG TIN-DIPPED OR WELL FERRULED STRANDED WIRE.
B: 0.5-1.5MM², 20-16AWG SOLID WIRE.
0.5-0.75MM², 20-18AWG TIN-DIPPED OR WELL FERRULED STRANDED WIRE.
C: 0.5-2.5MM², 20-14AWG SOLID OR STRANDED WIRE.
- △ LOGO MARK APPROXIMATION LOCATION.



4-2834242-6	WHITE
PART NUMBER	PART COLOR

THIS DRAWING IS A CONTROLLED DOCUMENT.		DWN	ZHANG WEI	12DEC2016	 TE Connectivity	NAME		PUSH WIRE CONNECTOR	
DIMENSIONS:		CHK	SHI MING	12DEC2016		PRODUCT SPEC		108-137270	
TOLERANCES UNLESS OTHERWISE SPECIFIED:		APVD	XU XIANG	12DEC2016		APPLICATION SPEC		114-137270	
mm		MATERIAL		WEIGHT		10.75g	RESTRICTED TO		-
0 PLC ±1 1 PLC ±1 2 PLC ±1 3 PLC ±1 4 PLC ±1 ANGLES ±5		FINISH		CUSTOMER DRAWING		SCALE	2:1	SHEET	25 of 38
						SIZE	A3	CAGE CODE	00779
						DRAWING NO	C-2834242		REV
								C	

THIS DRAWING IS UNPUBLISHED.

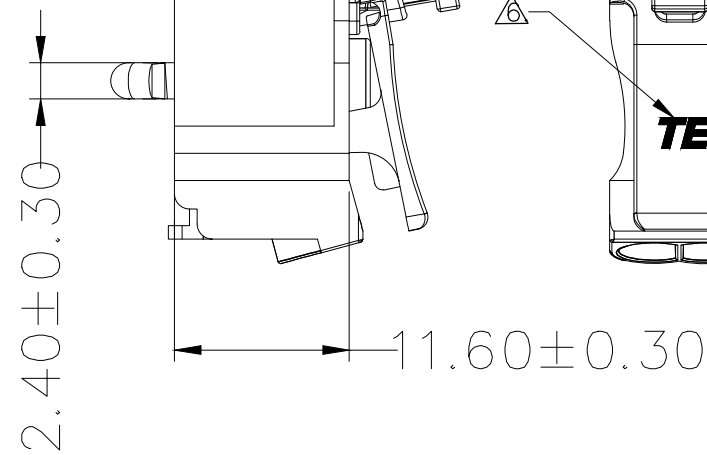
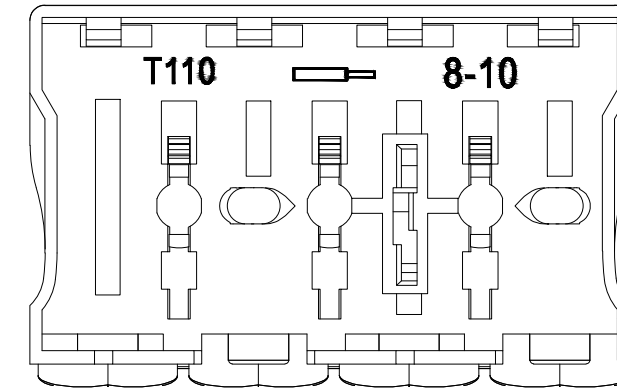
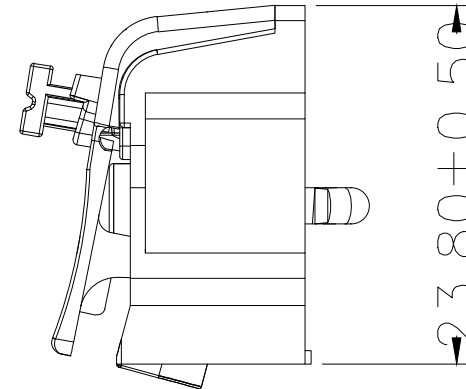
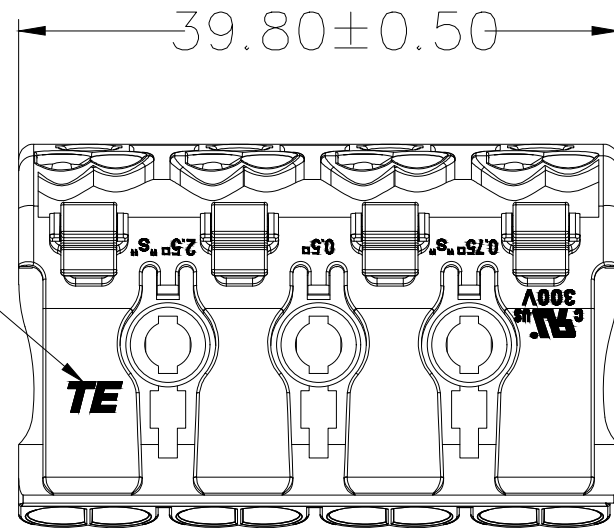
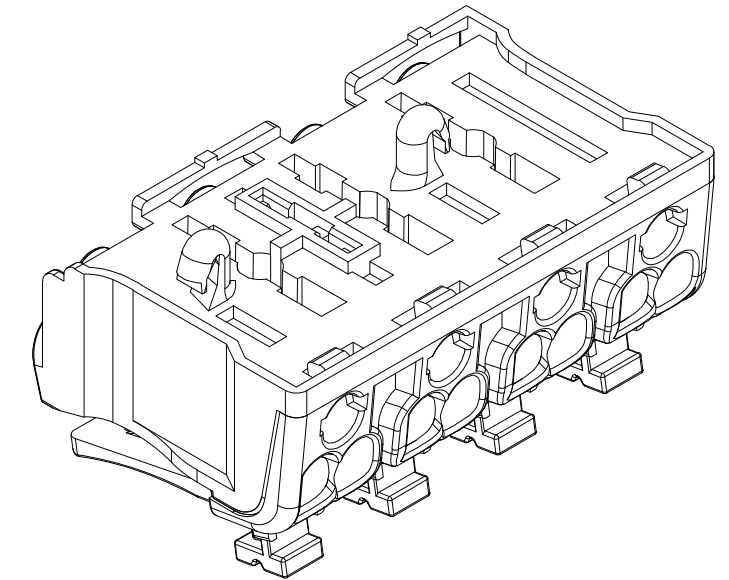
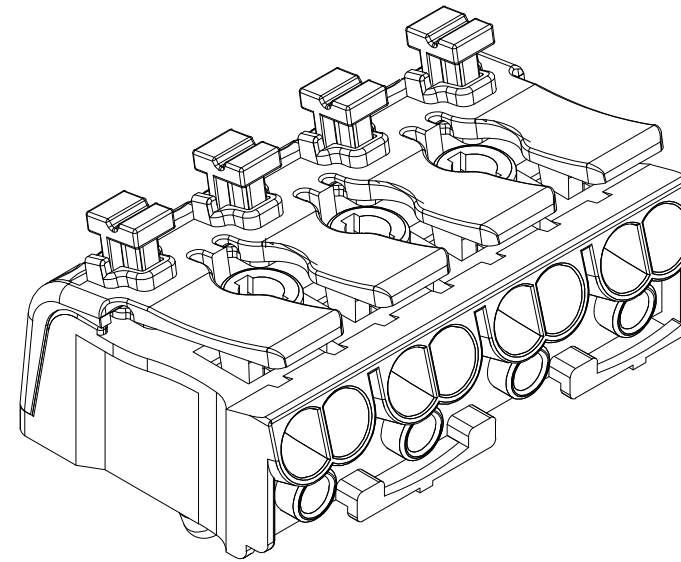
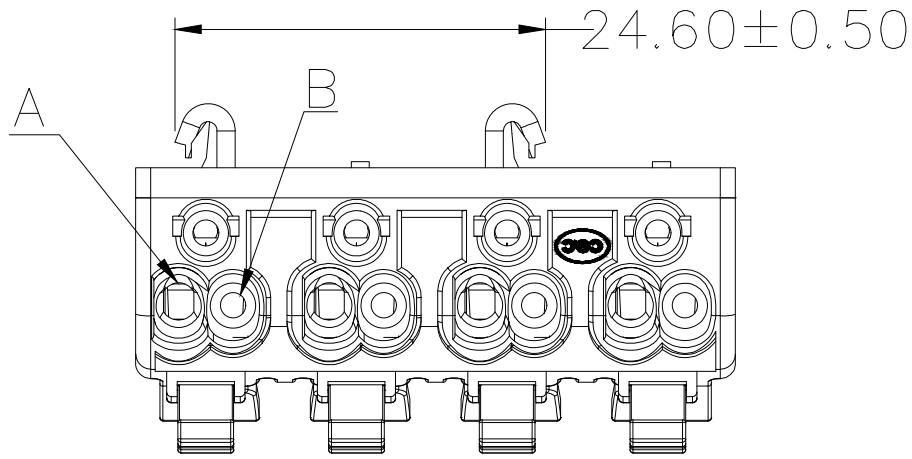
RELEASED FOR PUBLICATION

ALL RIGHTS RESERVED.

© COPYRIGHT - By -

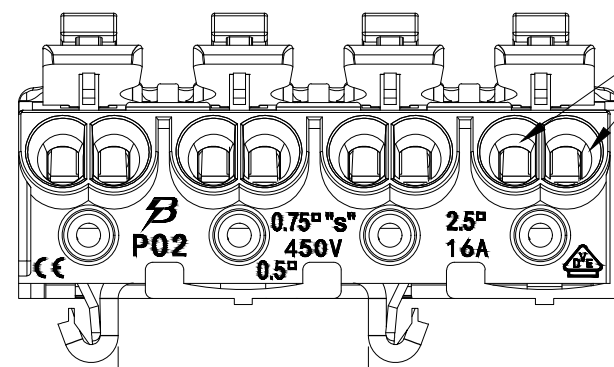
REVISIONS

P	LTR	DESCRIPTION	DATE	DWN	APVD
-	-	SEE SHEET 1	-	-	-



NOTE:

- PART NUMBER: SEE TABLE.
 - MATERIAL:
TERMINAL: BRASS & STAINLESS STEEL SPRING.
HOUSING: PA UL94-V2 & PC UL94-V2.
 - FINISH
TERMINAL: NICKEL PLATED.
 - PACKAGING: PLASTIC BAG.
 - APPLICABLE WIRE:
A: 0.5-2.5MM², 20-14AWG SOLID WIRE.
0.5-1.5MM², 20-16AWG TIN-DIPPED OR WELL FERRULED STRANDED WIRE.
B: 0.5-1.5MM², 20-16AWG SOLID WIRE.
0.5-0.75MM², 20-18AWG TIN-DIPPED OR WELL FERRULED STRANDED WIRE.
C: 0.5-2.5MM², 20-14AWG SOLID OR STRANDED WIRE.
- ⚠ LOGO MARK APPROXIMATION LOCATION.



16.60±0.50

THIS DRAWING IS A CONTROLLED DOCUMENT.

DIMENSIONS:	TOLERANCES UNLESS OTHERWISE SPECIFIED:
mm	
	0 PLC ±1
	1 PLC ±1
	2 PLC ±1
	3 PLC ±1
	4 PLC ±1
	ANGLES ±5
MATERIAL	FINISH
-	-

DWN	ZHANG WEI	12DEC2016
CHK	SHI MING	12DEC2016
APVD	XU XIANG	12DEC2016
PRODUCT SPEC	108-137270	
APPLICATION SPEC	114-137270	
WEIGHT	10.81g	
CUSTOMER DRAWING		

4-2834242-7		WHITE	
PART NUMBER		PART COLOR	
STE TE Connectivity			
NAME PUSH WIRE CONNECTOR			
SIZE	CAGE CODE	DRAWING NO	RESTRICTED TO
A3	00779	C-2834242	-
SCALE		SHEET	REV
2:1		26 of 38	C

THIS DRAWING IS UNPUBLISHED.

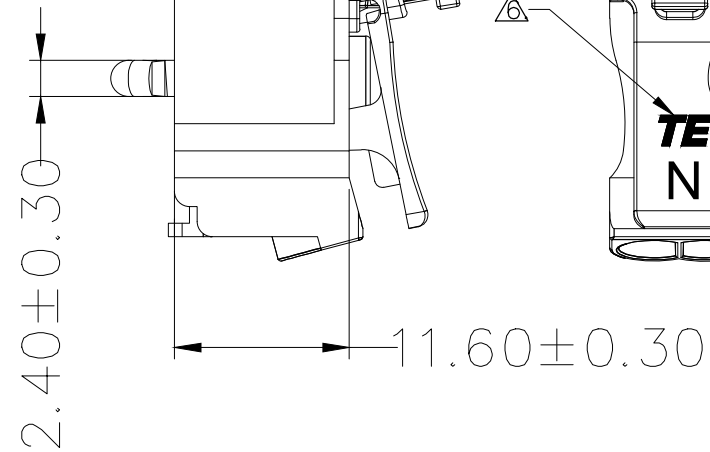
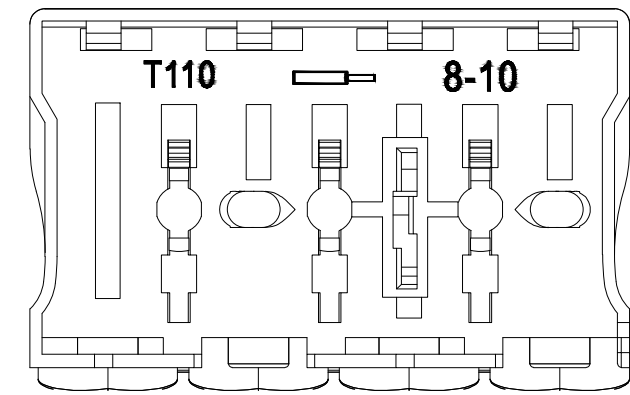
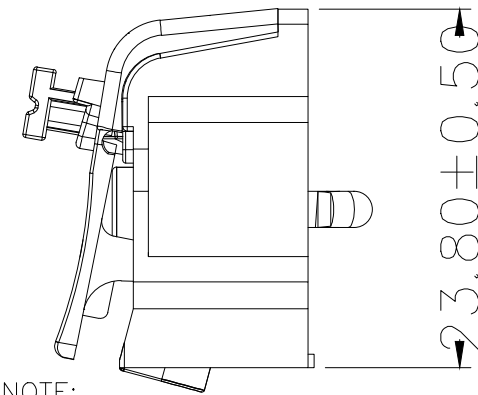
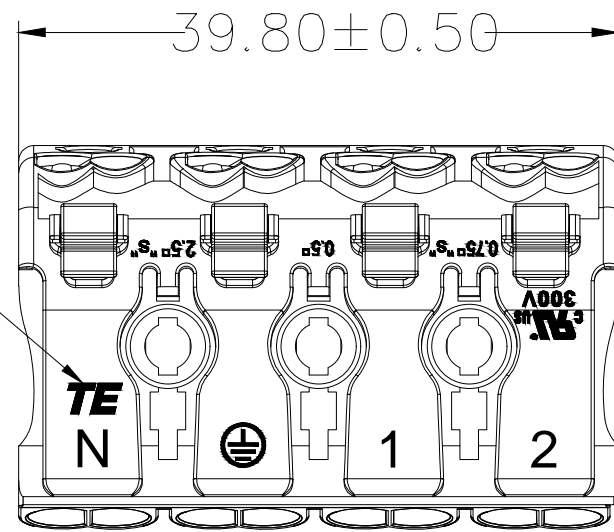
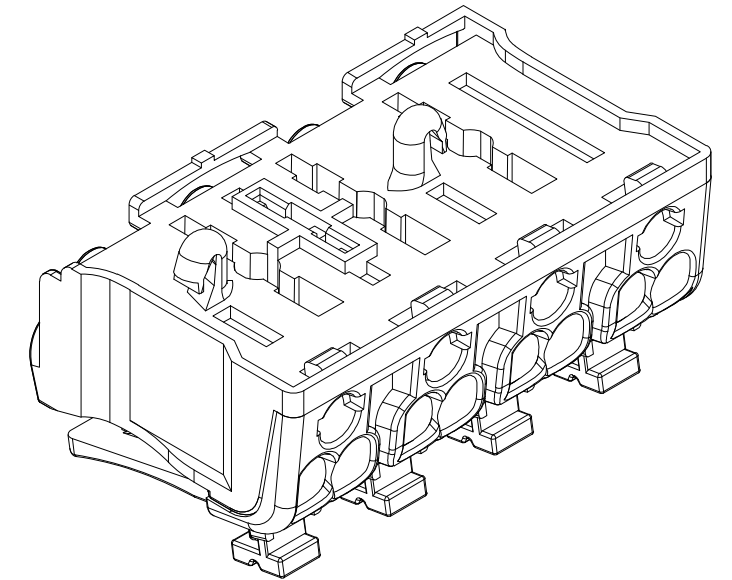
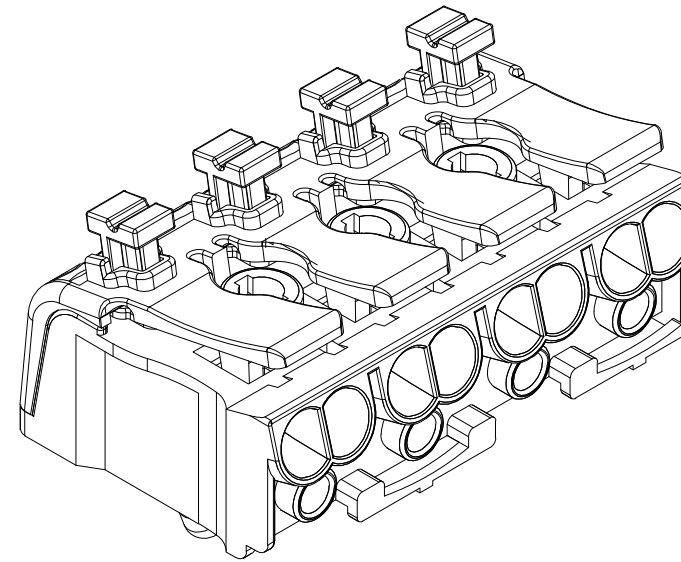
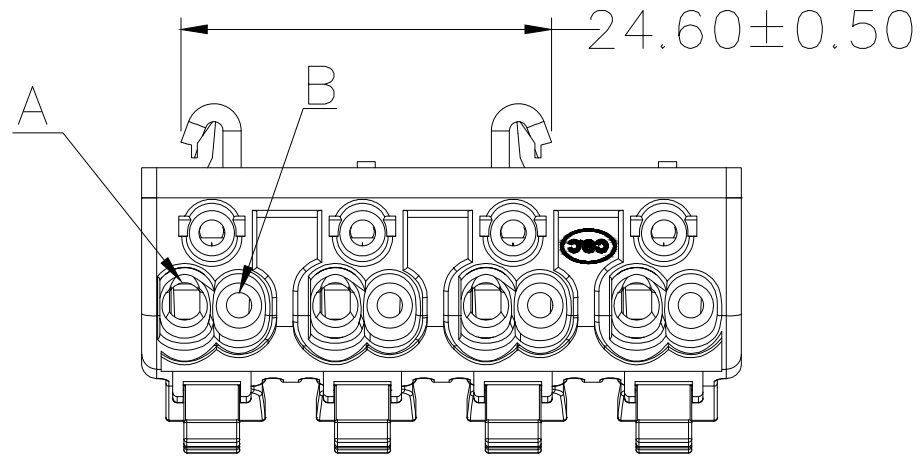
RELEASED FOR PUBLICATION

ALL RIGHTS RESERVED.

© COPYRIGHT - By -

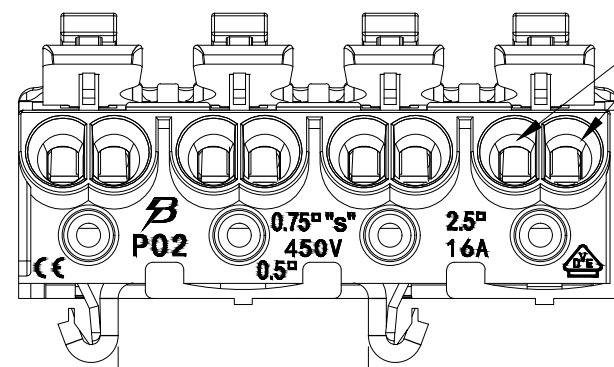
REVISIONS

P	LTR	DESCRIPTION	DATE	DWN	APVD
-	-	SEE SHEET 1	-	-	-



- NOTE:
- PART NUMBER: SEE TABLE.
 - MATERIAL:
TERMINAL: BRASS & STAINLESS STEEL SPRING.
HOUSING: PA UL94-V2 & PC UL94-V2.
 - FINISH
TERMINAL: NICKEL PLATED.
 - PACKAGING: PLASTIC BAG.
 - APPLICABLE WIRE:
A: 0.5-2.5MM², 20-14AWG SOLID WIRE.
0.5-1.5MM², 20-16AWG TIN-DIPPED OR WELL FERRULED STRANDED WIRE.
B: 0.5-1.5MM², 20-16AWG SOLID WIRE.
0.5-0.75MM², 20-18AWG TIN-DIPPED OR WELL FERRULED STRANDED WIRE.
C: 0.5-2.5MM², 20-14AWG SOLID OR STRANDED WIRE.

△ LOGO MARK APPROXIMATION LOCATION.



THIS DRAWING IS A CONTROLLED DOCUMENT.

DIMENSIONS:	TOLERANCES UNLESS OTHERWISE SPECIFIED:
mm	
0 PLC	± 1
1 PLC	± 1
2 PLC	± 1
3 PLC	± 1
4 PLC	± 1
ANGLES	± 5
MATERIAL	FINISH
-	-

DWN	ZHANG WEI	12DEC2016
CHK	SHI MING	12DEC2016
APVD	XU XIANG	12DEC2016
PRODUCT SPEC	108-137270	
APPLICATION SPEC	114-137270	
WEIGHT	10.81g	
CUSTOMER DRAWING		

4-2834242-8		WHITE	
PART NUMBER		PART COLOR	
STE TE Connectivity			
NAME PUSH WIRE CONNECTOR			
SIZE	CAGE CODE	DRAWING NO	RESTRICTED TO
A3	00779	C-2834242	-
SCALE		SHEET	REV
2:1		27 of 38	C

THIS DRAWING IS UNPUBLISHED.

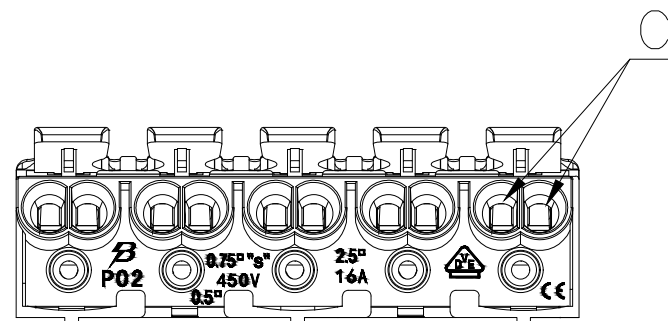
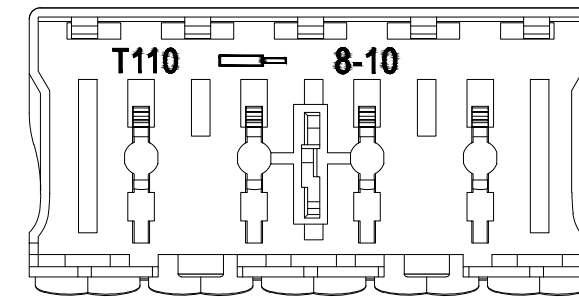
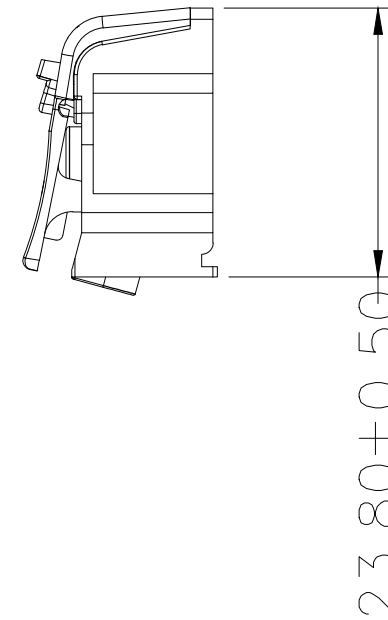
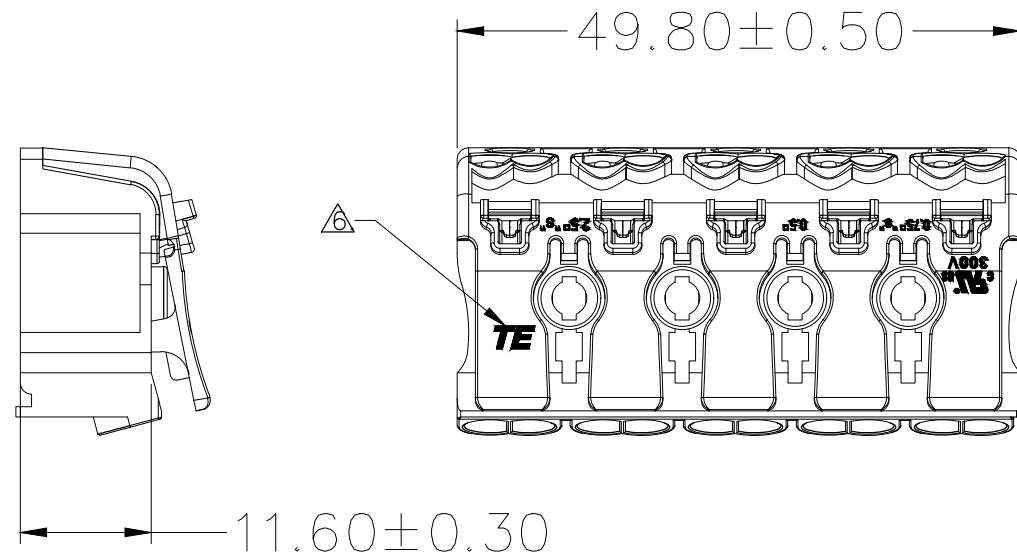
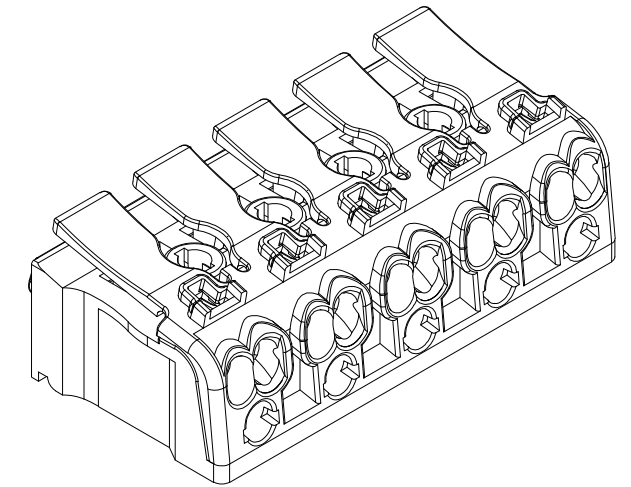
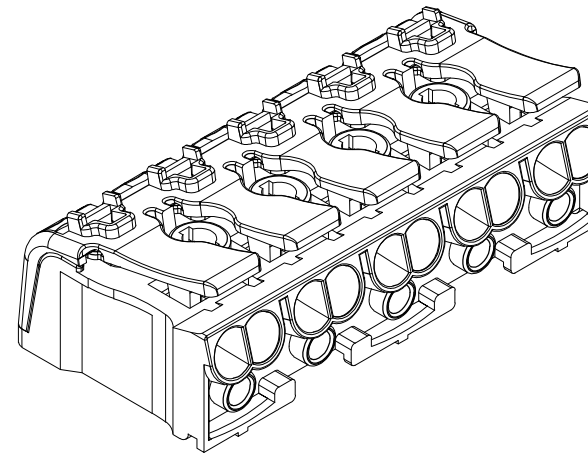
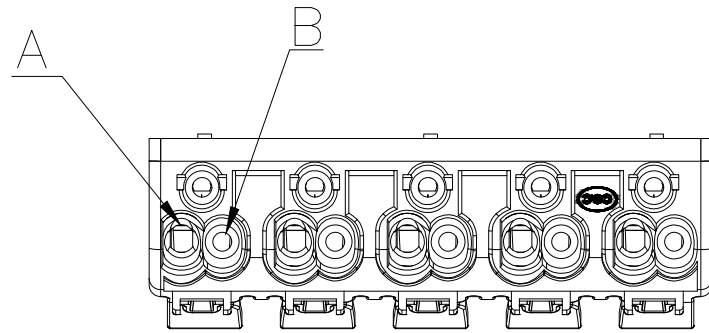
RELEASED FOR PUBLICATION

© COPYRIGHT - By -

ALL RIGHTS RESERVED.


REVISIONS

P	LTR	DESCRIPTION	DATE	DWN	APVD
-	-	SEE SHEET 1	-	-	-



- NOTE:
- PART NUMBER: SEE TABLE.
 - MATERIAL:
TERMINAL: BRASS & STAINLESS STEEL SPRING.
HOUSING: PA UL94-V2 & PC UL94-V2.
 - FINISH
TERMINAL: NICKEL PLATED.
 - PACKAGING: PLASTIC BAG.
 - APPLICABLE WIRE:
A: 0.5-2.5MM², 20-14AWG SOLID WIRE ONLY.
B: 0.5-1.5MM², 20-16AWG SOLID WIRE ONLY.
C: 0.5-2.5MM², 20-14AWG SOLID OR STRANDED WIRE.
- △ LOGO MARK APPROXIMATION LOCATION.

5-2834242-1	WHITE
PART NUMBER	PART COLOR

THIS DRAWING IS A CONTROLLED DOCUMENT.		DWN ZHANG WEI 12DEC2016	 TE Connectivity NAME PUSH WIRE CONNECTOR											
DIMENSIONS: mm		CHK SHI MING 12DEC2016												
TOLERANCES UNLESS OTHERWISE SPECIFIED:		APVD XU XIANG 12DEC2016												
<table border="1"> <tr><td>0 PLC</td><td>± 1</td></tr> <tr><td>1 PLC</td><td>± 1</td></tr> <tr><td>2 PLC</td><td>± 1</td></tr> <tr><td>3 PLC</td><td>± 1</td></tr> <tr><td>4 PLC</td><td>± 1</td></tr> <tr><td>ANGLES</td><td>± 5</td></tr> </table>		0 PLC				± 1	1 PLC	± 1	2 PLC	± 1	3 PLC	± 1	4 PLC	± 1
0 PLC	± 1													
1 PLC	± 1													
2 PLC	± 1													
3 PLC	± 1													
4 PLC	± 1													
ANGLES	± 5													
MATERIAL		APPLICATION SPEC 114-137270	SIZE A3	CAGE CODE 00779	DRAWING NO C-2834242	RESTRICTED TO								
		WEIGHT 13.09g	CUSTOMER DRAWING		SCALE 1.5:1	SHEET 28 of 38	REV C							

THIS DRAWING IS UNPUBLISHED.

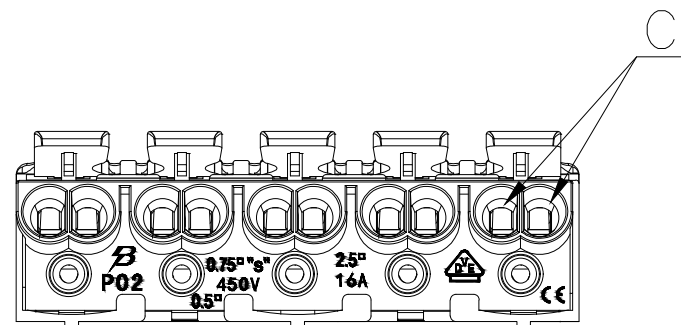
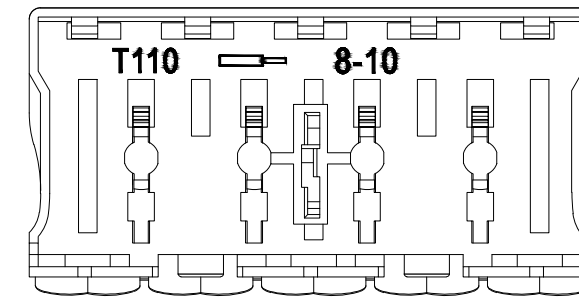
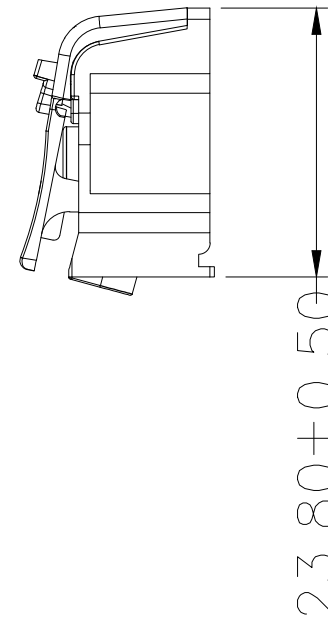
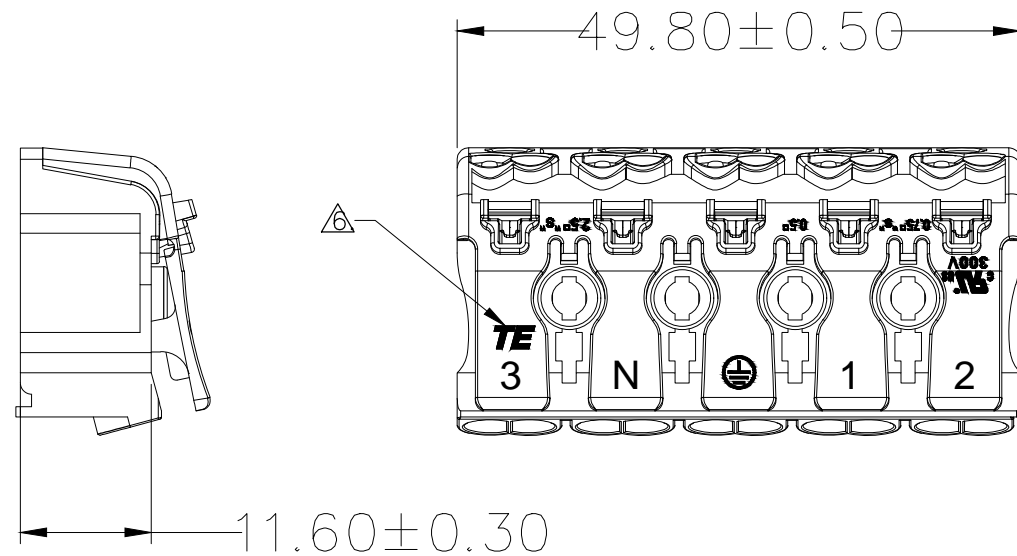
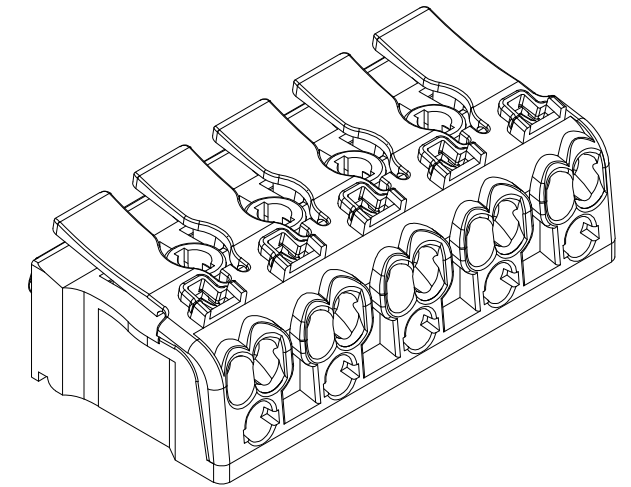
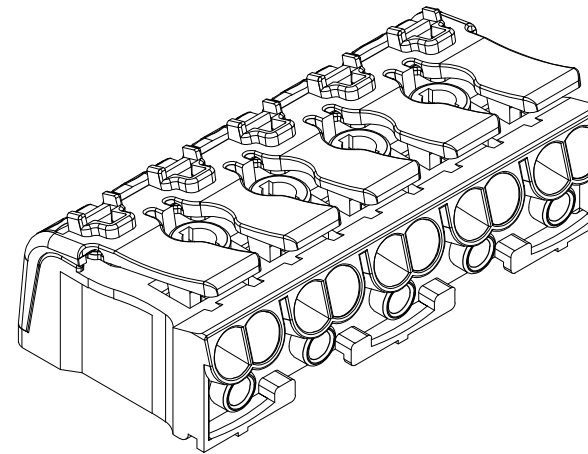
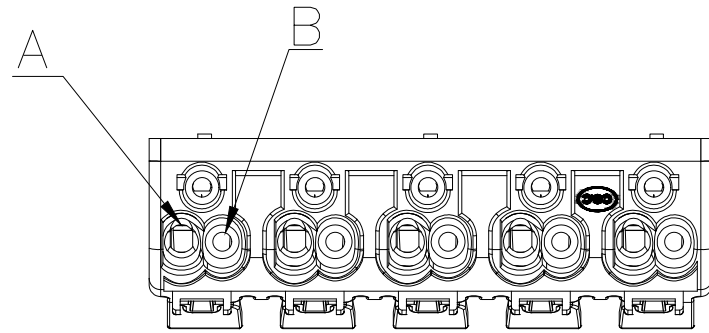
RELEASED FOR PUBLICATION

ALL RIGHTS RESERVED.

© COPYRIGHT - By -

REVISIONS

P	LTR	DESCRIPTION	DATE	DWN	APVD
-	-	SEE SHEET 1	-	-	-



NOTE:

- PART NUMBER: SEE TABLE.
 - MATERIAL:
TERMINAL: BRASS & STAINLESS STEEL SPRING.
HOUSING: PA UL94-V2 & PC UL94-V2.
 - FINISH
TERMINAL: NICKEL PLATED.
 - PACKAGING: PLASTIC BAG.
 - APPLICABLE WIRE:
A: 0.5-2.5MM², 20-14AWG SOLID WIRE ONLY.
B: 0.5-1.5MM², 20-16AWG SOLID WIRE ONLY.
C: 0.5-2.5MM², 20-14AWG SOLID OR STRANDED WIRE.
- △ LOGO MARK APPROXIMATION LOCATION.

THIS DRAWING IS A CONTROLLED DOCUMENT.

DIMENSIONS:	TOLERANCES UNLESS OTHERWISE SPECIFIED:
mm	
	0 PLC ± 1
	1 PLC ± 1
	2 PLC ± 1
	3 PLC ± 1
	4 PLC ± 1
	ANGLES ± 5
MATERIAL	FINISH
-	-

DWN	ZHANG WEI	12DEC2016
CHK	SHI MING	12DEC2016
APVD	XU XIANG	12DEC2016
PRODUCT SPEC	108-137270	
APPLICATION SPEC	114-137270	
WEIGHT	13.09g	
CUSTOMER DRAWING		

5-2834242-2		WHITE	
PART NUMBER		PART COLOR	
STE TE Connectivity			
PUSH WIRE CONNECTOR			
NAME	-		
SIZE	CAGE CODE	DRAWING NO	RESTRICTED TO
A3	00779	C-2834242	-
SCALE 1.5:1		SHEET 29 of 38	REV C

THIS DRAWING IS UNPUBLISHED.

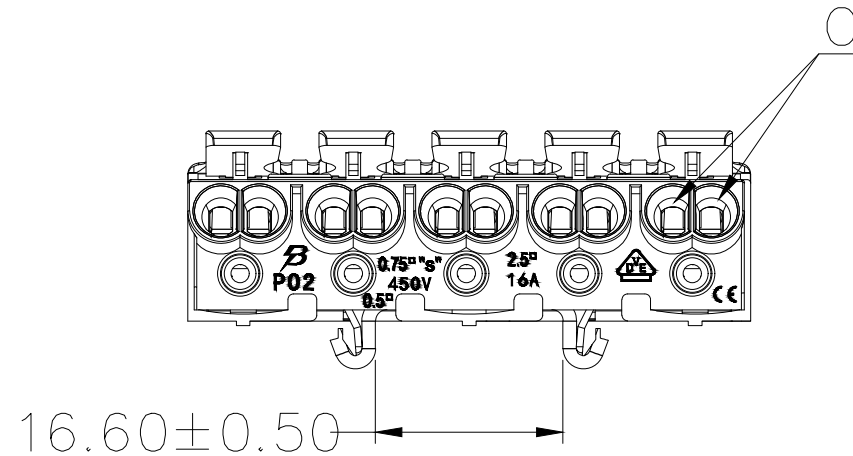
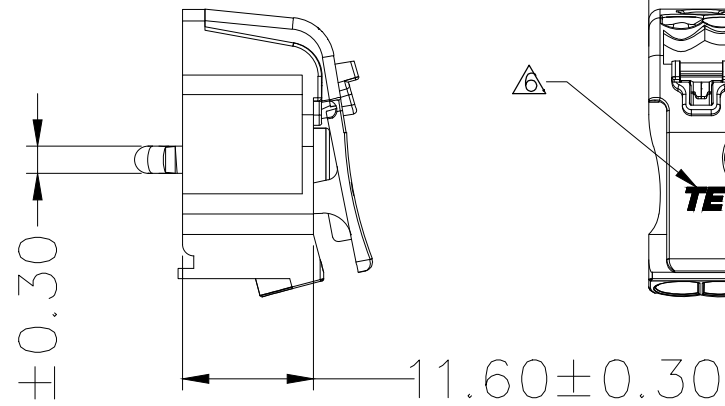
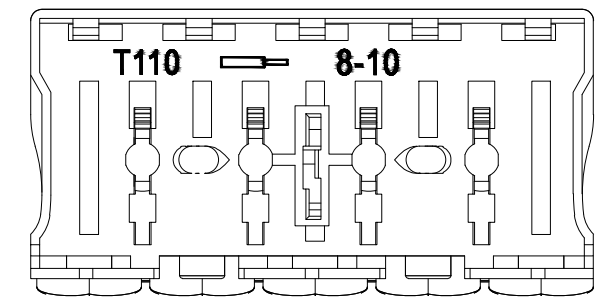
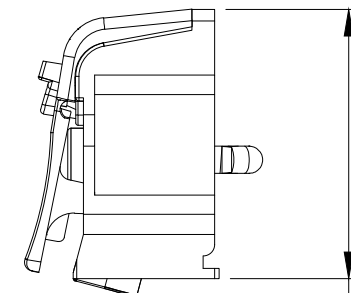
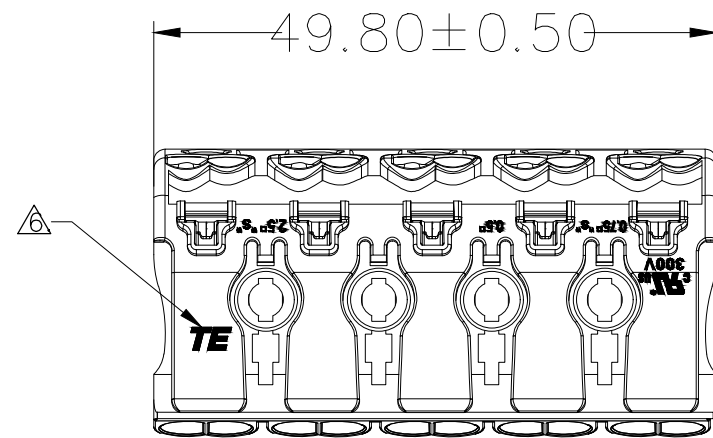
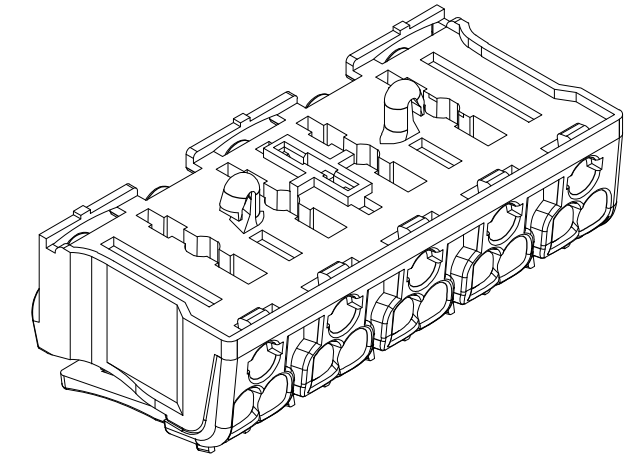
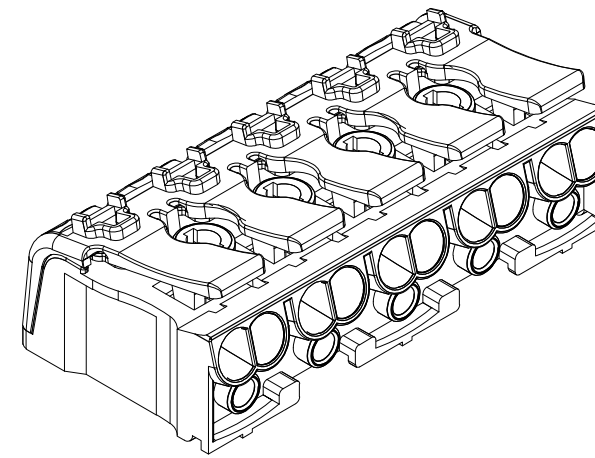
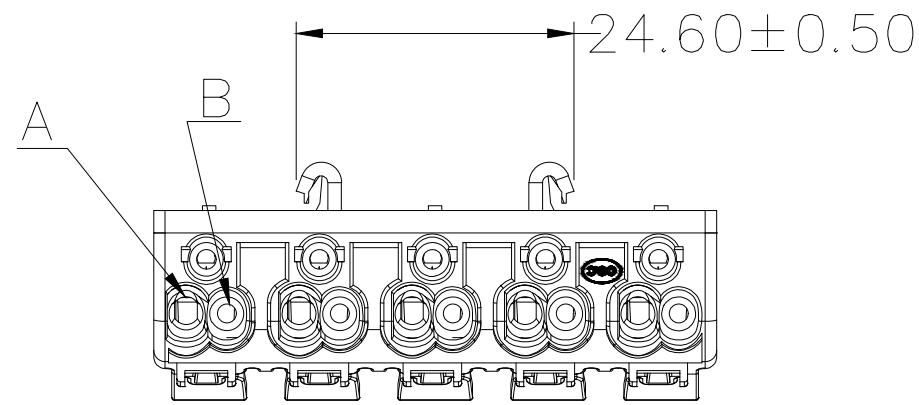
RELEASED FOR PUBLICATION

ALL RIGHTS RESERVED.

© COPYRIGHT - By -

REVISIONS

P	LTR	DESCRIPTION	DATE	DWN	APVD
-	-	SEE SHEET 1	-	-	-



- NOTE:
- PART NUMBER: SEE TABLE.
 - MATERIAL:
TERMINAL: BRASS & STAINLESS STEEL SPRING.
HOUSING: PA UL94-V2 & PC UL94-V2.
 - FINISH
TERMINAL: NICKEL PLATED.
 - PACKAGING: PLASTIC BAG.
 - APPLICABLE WIRE:
A:0.5-2.5MM²,20-14AWG SOLID WIRE ONLY.
B:0.5-1.5MM²,20-16AWG SOLID WIRE ONLY.
C:0.5-2.5MM²,20-14AWG SOLID OR STRANDED WIRE.
- △ LOGO MARK APPROXIMATION LOCATION.

THIS DRAWING IS A CONTROLLED DOCUMENT.

DIMENSIONS:	TOLERANCES UNLESS OTHERWISE SPECIFIED:
mm	
	0 PLC ±1
	1 PLC ±1
	2 PLC ±1
	3 PLC ±1
	4 PLC ±1
	ANGLES ±5
MATERIAL	FINISH
-	-

DWN	ZHANG WEI	12DEC2016
CHK	SHI MING	12DEC2016
APVD	XU XIANG	12DEC2016
PRODUCT SPEC	108-137270	
APPLICATION SPEC	114-137270	
WEIGHT	13.15g	
CUSTOMER DRAWING		

5-2834242-3		WHITE	
PART NUMBER		PART COLOR	
STE TE Connectivity			
NAME PUSH WIRE CONNECTOR			
SIZE	CAGE CODE	DRAWING NO	RESTRICTED TO
A3	A	C-2834242	-
SCALE 1.5:1		SHEET 30 of 38	REV C

THIS DRAWING IS UNPUBLISHED.

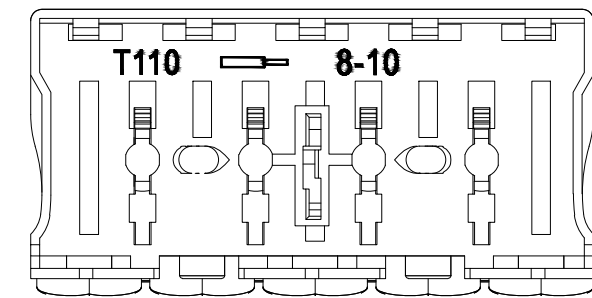
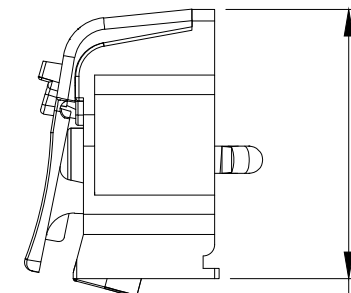
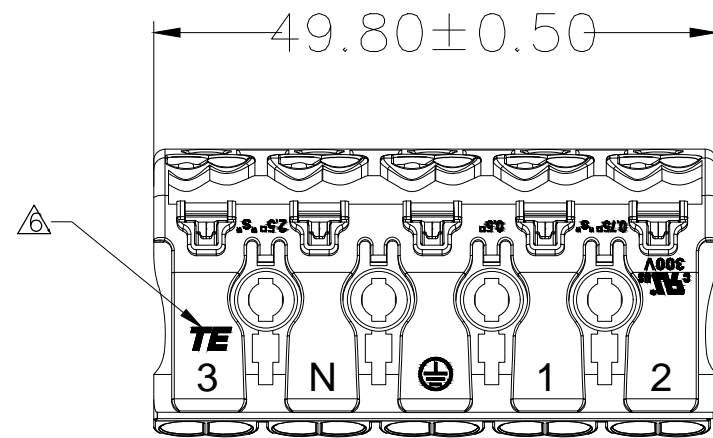
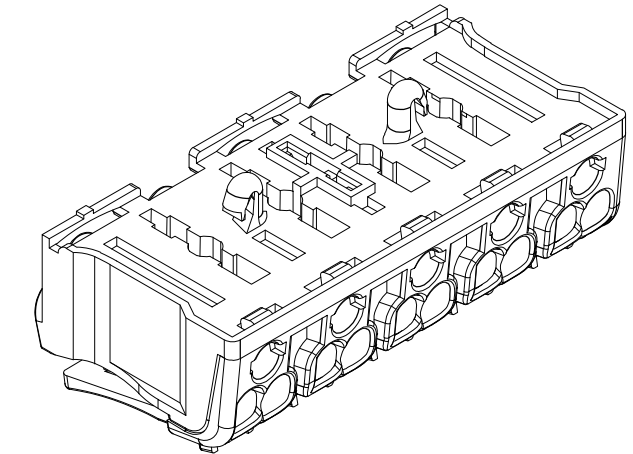
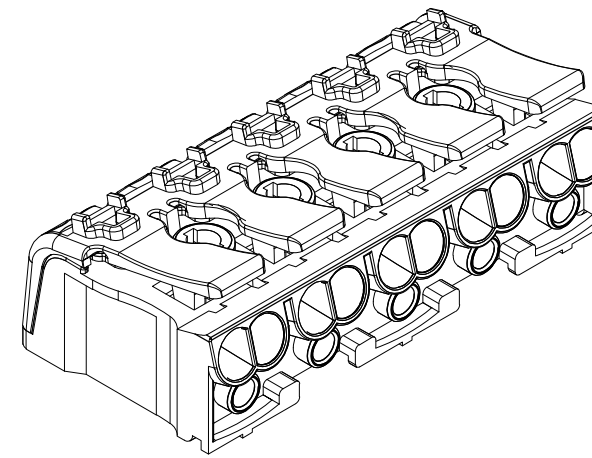
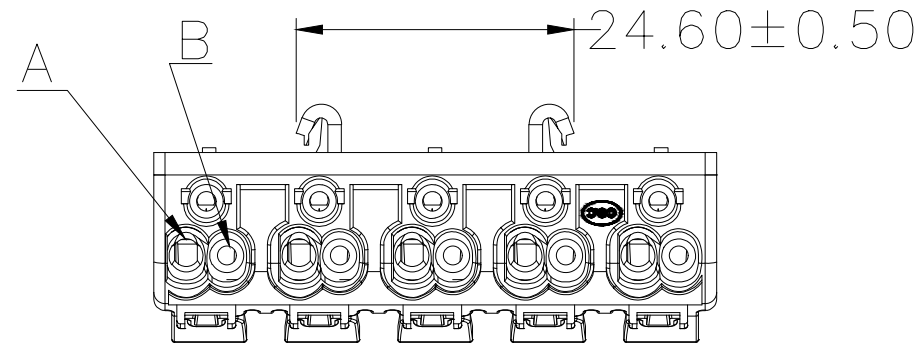
RELEASED FOR PUBLICATION

REVISIONS

© COPYRIGHT - By -

ALL RIGHTS RESERVED.

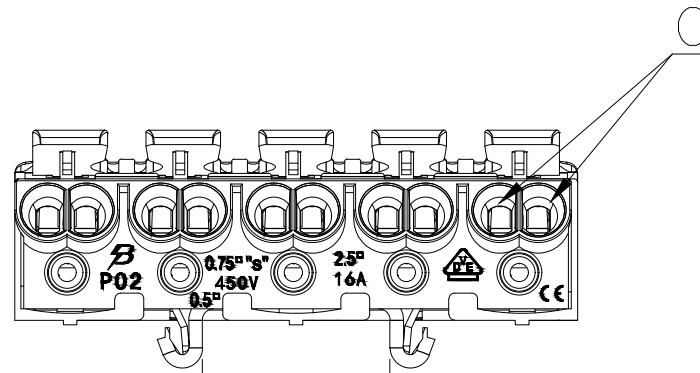
P	LTR	DESCRIPTION	DATE	DWN	APVD
-	-	SEE SHEET 1	-	-	-



2.40±0.30

11.60±0.30

16.60±0.50



NOTE:

- PART NUMBER: SEE TABLE.
 - MATERIAL:
TERMINAL: BRASS & STAINLESS STEEL SPRING.
HOUSING: PA UL94-V2 & PC UL94-V2.
 - FINISH
TERMINAL: NICKEL PLATED.
 - PACKAGING: PLASTIC BAG.
 - APPLICABLE WIRE:
A: 0.5-2.5MM², 20-14AWG SOLID WIRE ONLY.
B: 0.5-1.5MM², 20-16AWG SOLID WIRE ONLY.
C: 0.5-2.5MM², 20-14AWG SOLID OR STRANDED WIRE.
- △ LOGO MARK APPROXIMATION LOCATION.

THIS DRAWING IS A CONTROLLED DOCUMENT.

DIMENSIONS:	TOLERANCES UNLESS OTHERWISE SPECIFIED:
mm	
	0 PLC ± 1
	1 PLC ± 1
	2 PLC ± 1
	3 PLC ± 1
	4 PLC ± 1
	ANGLES ± 5
MATERIAL	FINISH
-	-

DWN	ZHANG WEI	12DEC2016
CHK	SHI MING	12DEC2016
APVD	XU XIANG	12DEC2016
PRODUCT SPEC	108-137270	
APPLICATION SPEC	114-137270	
WEIGHT	13.15g	
CUSTOMER DRAWING		

5-2834242-4		WHITE	
PART NUMBER		PART COLOR	
STE TE Connectivity			
NAME PUSH WIRE CONNECTOR			
SIZE	CAGE CODE	DRAWING NO	RESTRICTED TO
A3	A	C-2834242	-
SCALE 1.5:1		SHEET 31 of 38	REV C

THIS DRAWING IS UNPUBLISHED.

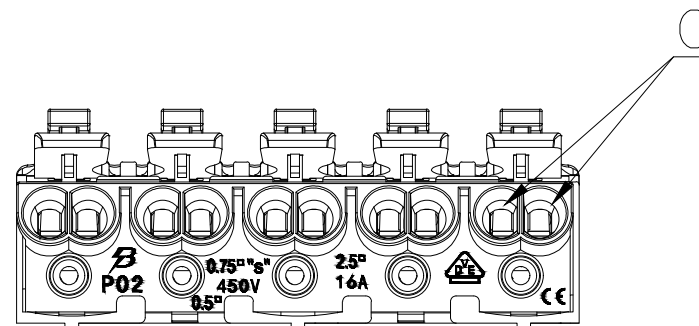
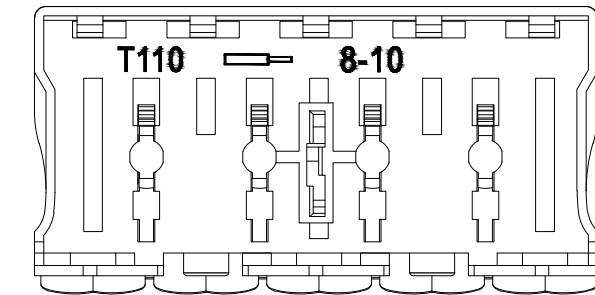
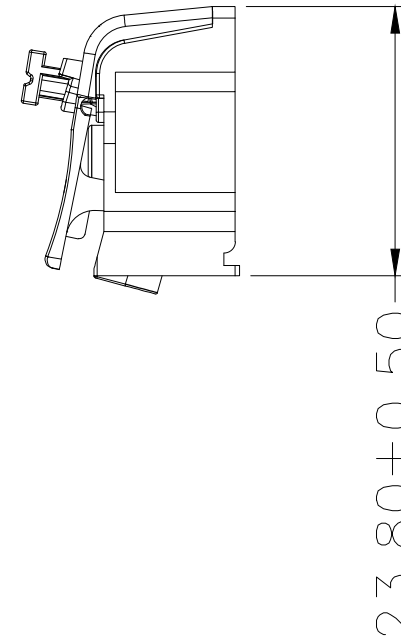
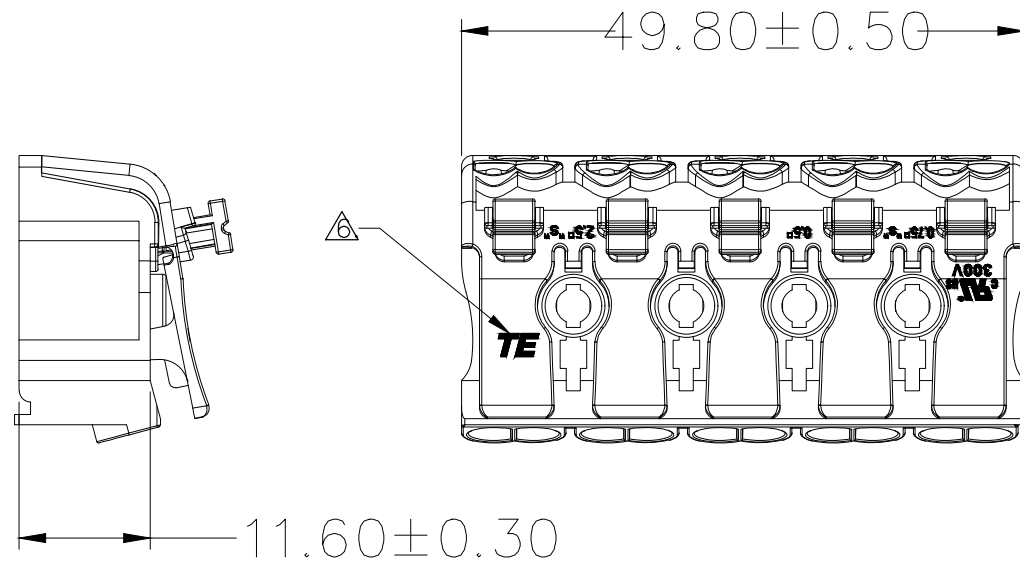
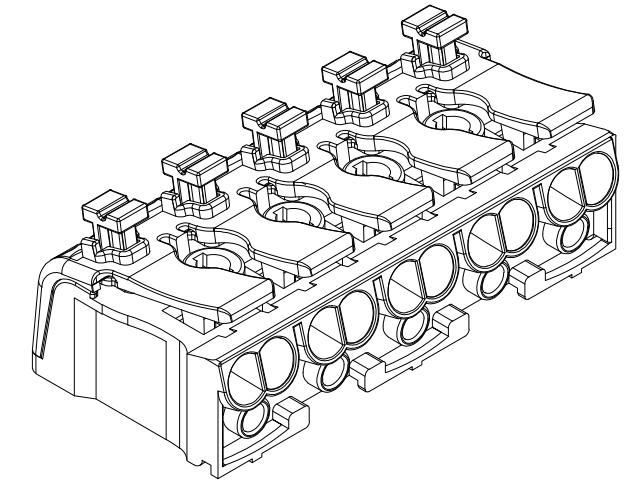
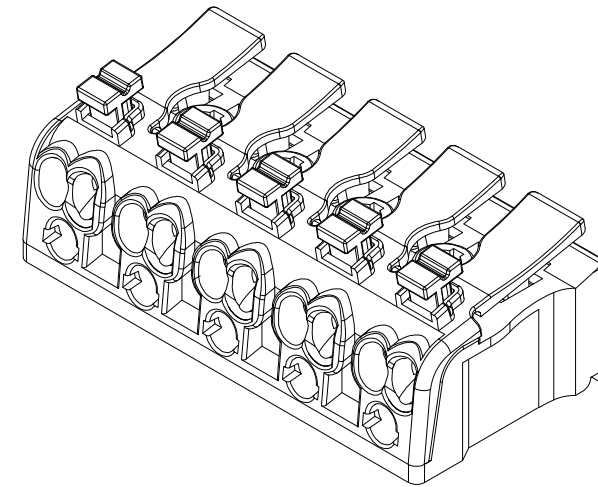
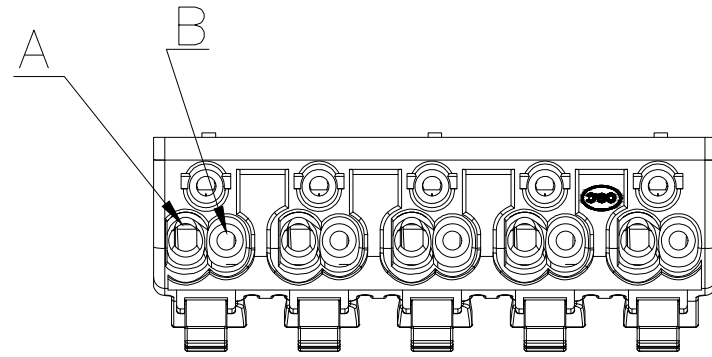
RELEASED FOR PUBLICATION

REVISIONS

© COPYRIGHT - By -

ALL RIGHTS RESERVED.

P	LTR	DESCRIPTION	DATE	DWN	APVD
-	-	SEE SHEET 1	-	-	-



NOTE:

- PART NUMBER: SEE TABLE.
- MATERIAL:
TERMINAL: BRASS & STAINLESS STEEL SPRING.
HOUSING: PA UL94-V2 & PC UL94-V2.
- FINISH
TERMINAL: NICKEL PLATED.
- PACKAGING: PLASTIC BAG.
- APPLICABLE WIRE:
A: 0.5-2.5MM², 20-14AWG SOLID WIRE.
0.5-1.5MM², 20-16AWG TIN-DIPPED OR WELL FERRULED STRANDED WIRE.
B: 0.5-1.5MM², 20-16AWG SOLID WIRE.
0.5-0.75MM², 20-18AWG TIN-DIPPED OR WELL FERRULED STRANDED WIRE.
C: 0.5-2.5MM², 20-14AWG SOLID OR STRANDED WIRE.

△ LOGO MARK APPROXIMATION LOCATION.

THIS DRAWING IS A CONTROLLED DOCUMENT.

DIMENSIONS:	TOLERANCES UNLESS OTHERWISE SPECIFIED:
mm	
	0 PLC ± 1
	1 PLC ± 1
	2 PLC ± 1
	3 PLC ± 1
	4 PLC ± 1
	ANGLES ± 5
MATERIAL	FINISH
-	-

DWN	ZHANG WEI	12DEC2016
CHK	SHI MING	12DEC2016
APVD	XU XIANG	12DEC2016
PRODUCT SPEC	108-137270	
APPLICATION SPEC	114-137270	
WEIGHT	13.42g	
CUSTOMER DRAWING		

5-2834242-5		WHITE	
PART NUMBER		PART COLOR	
STE TE Connectivity			
PUSH WIRE CONNECTOR			
NAME	-		
SIZE	CAGE CODE	DRAWING NO	RESTRICTED TO
A3	00779	C-2834242	-
SCALE 1.5:1		SHEET 32 OF 38	REV C

THIS DRAWING IS UNPUBLISHED.

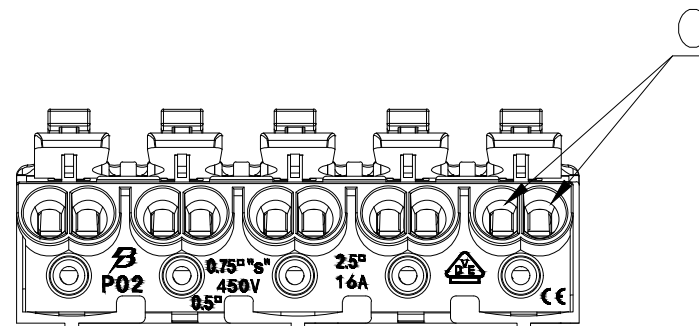
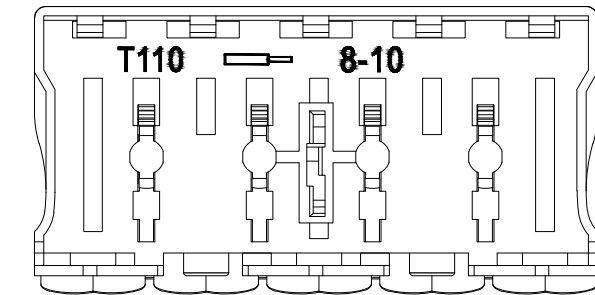
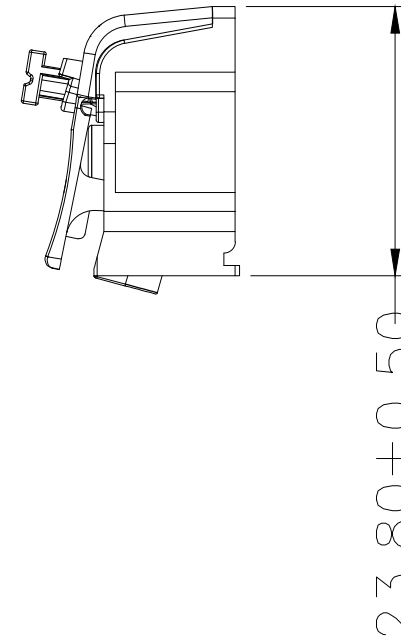
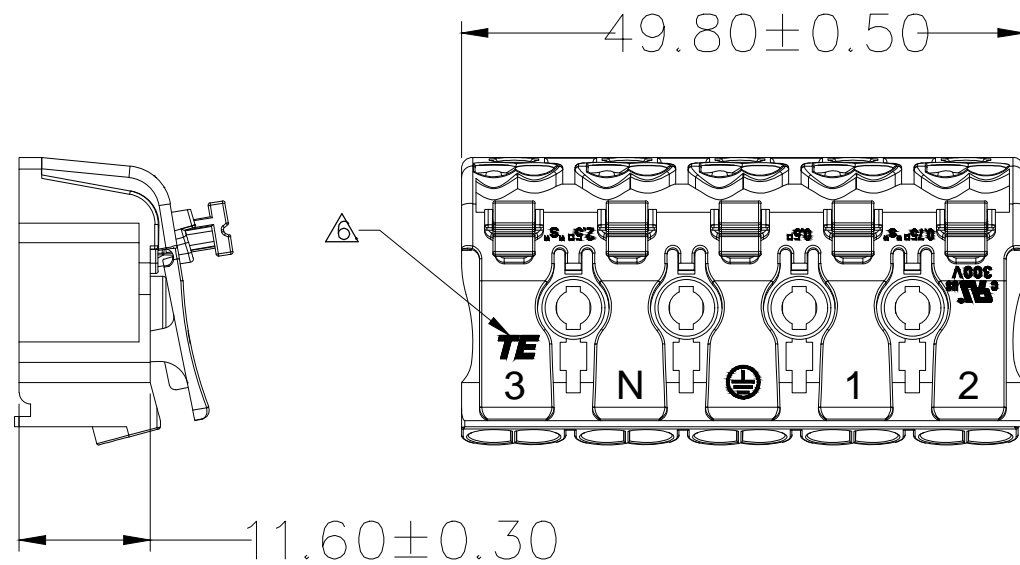
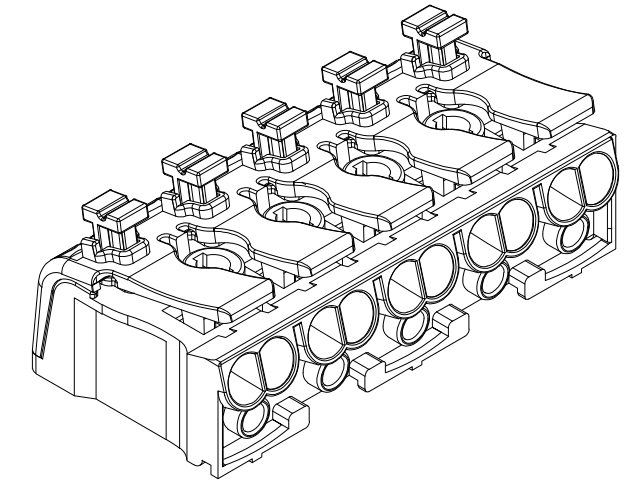
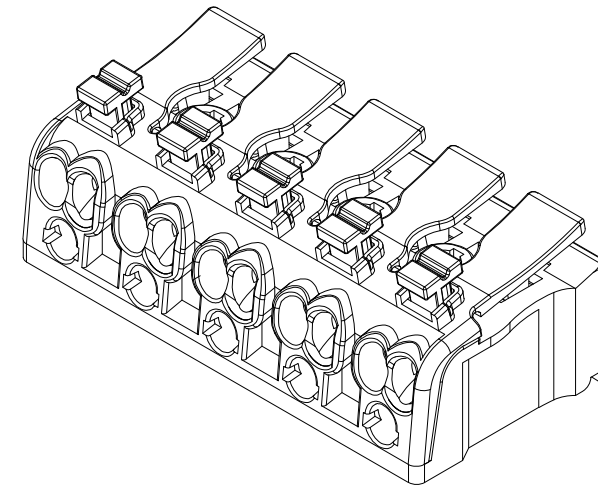
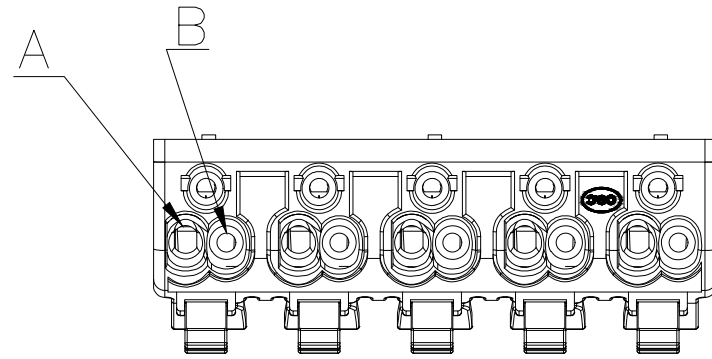
RELEASED FOR PUBLICATION

REVISIONS

© COPYRIGHT - By -

ALL RIGHTS RESERVED.


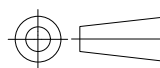
P	LTR	DESCRIPTION	DATE	DWN	APVD
-	-	SEE SHEET 1	-	-	-



NOTE:

- PART NUMBER: SEE TABLE.
 - MATERIAL:
TERMINAL: BRASS & STAINLESS STEEL SPRING.
HOUSING: PA UL94-V2 & PC UL94-V2.
 - FINISH
TERMINAL: NICKEL PLATED.
 - PACKAGING: PLASTIC BAG.
 - APPLICABLE WIRE:
A: 0.5-2.5MM², 20-14AWG SOLID WIRE.
0.5-1.5MM², 20-16AWG TIN-DIPPED OR WELL FERRULED STRANDED WIRE.
B: 0.5-1.5MM², 20-16AWG SOLID WIRE.
0.5-0.75MM², 20-18AWG TIN-DIPPED OR WELL FERRULED STRANDED WIRE.
C: 0.5-2.5MM², 20-14AWG SOLID OR STRANDED WIRE.
- △ LOGO MARK APPROXIMATION LOCATION.

5-2834242-6	WHITE
PART NUMBER	PART COLOR

THIS DRAWING IS A CONTROLLED DOCUMENT.		DWN ZHANG WEI 12DEC2016		 TE Connectivity			
DIMENSIONS: mm 		CHK SHI MING 12DEC2016				NAME	
		APVD XU XIANG 12DEC2016				PUSH WIRE CONNECTOR	
MATERIAL -		FINISH -				RESTRICTED TO -	
		TOLERANCES UNLESS OTHERWISE SPECIFIED:		PRODUCT SPEC 108-137270			
		0 PLC ± 1		APPLICATION SPEC 114-137270			
		1 PLC ± 1		WEIGHT 13.42g			
		2 PLC ± 1		SIZE A3			
		3 PLC ± 1		CAGE CODE 37			
		4 PLC ± 1		DRAWING NO C-2834242			
		ANGLES ± 5		SCALE 1.5:1			
				SHEET 33 of 38			
				REV C			
				CUSTOMER DRAWING			

THIS DRAWING IS UNPUBLISHED.

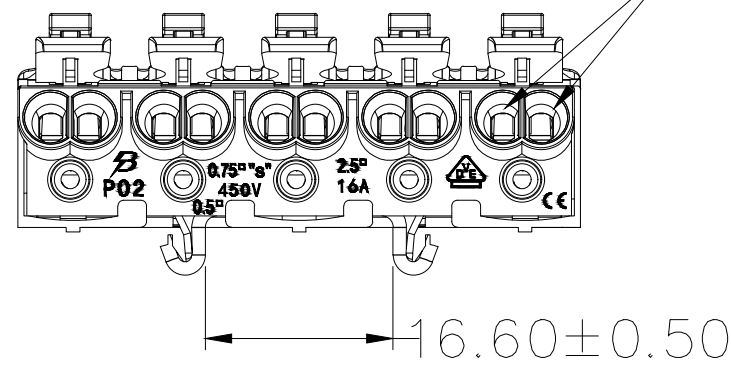
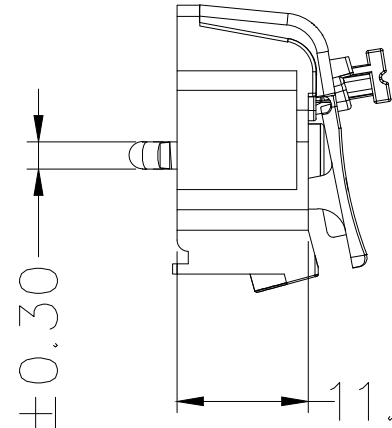
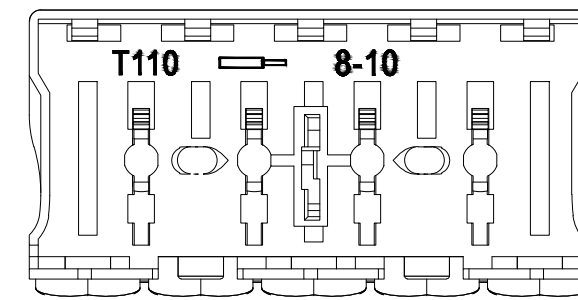
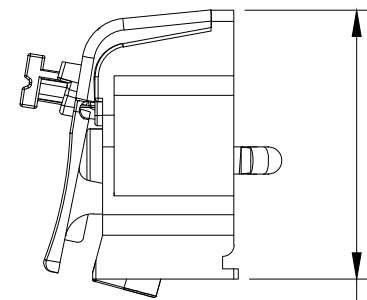
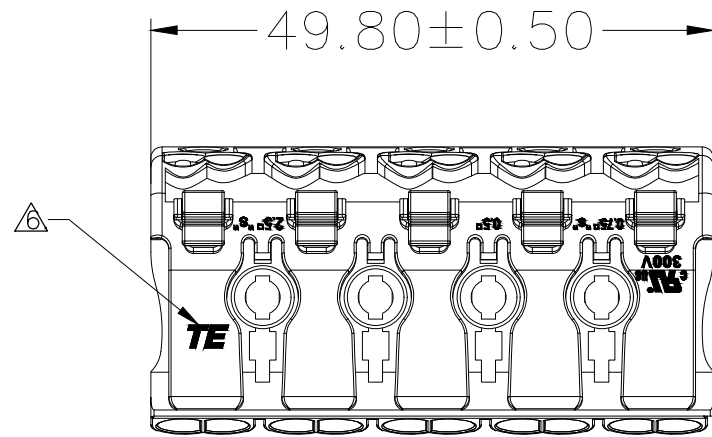
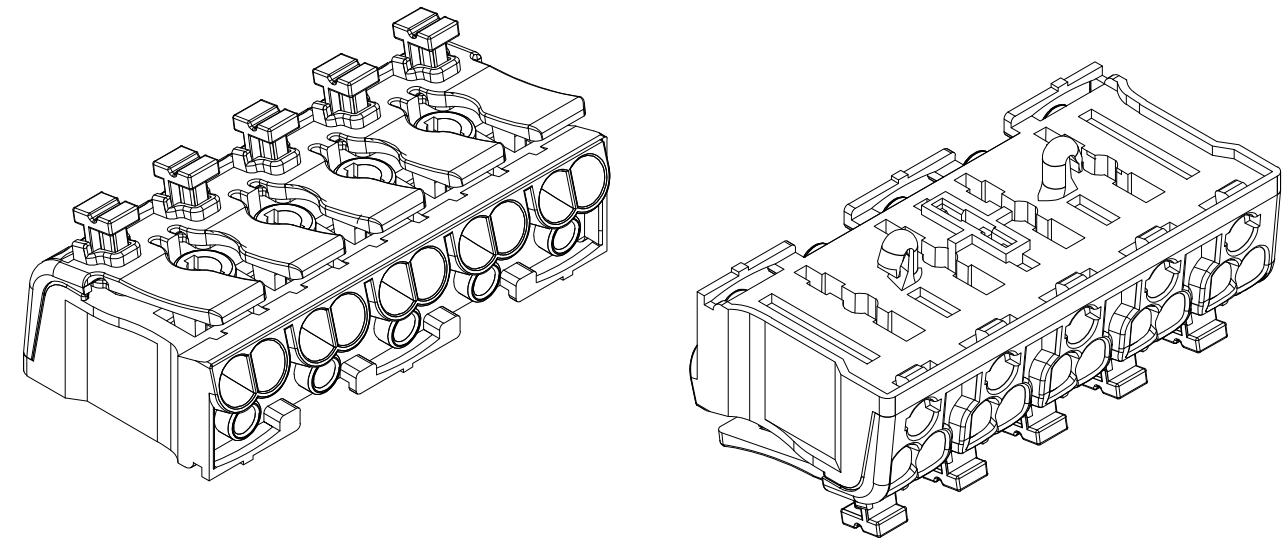
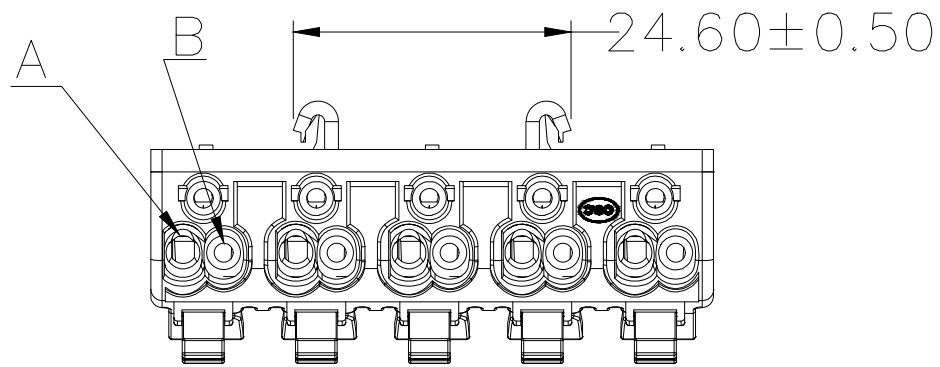
RELEASED FOR PUBLICATION

REVISIONS

© COPYRIGHT - By -

ALL RIGHTS RESERVED.


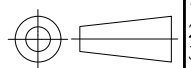
P	LTR	DESCRIPTION	DATE	DWN	APVD
-	-	SEE SHEET 1	-	-	-



NOTE:

- PART NUMBER: SEE TABLE.
 - MATERIAL:
TERMINAL: BRASS & STAINLESS STEEL SPRING.
HOUSING: PA UL94-V2 & PC UL94-V2.
 - FINISH
TERMINAL: NICKEL PLATED.
 - PACKAGING: PLASTIC BAG.
 - APPLICABLE WIRE:
A: 0.5-2.5MM², 20-14AWG SOLID WIRE.
0.5-1.5MM², 20-16AWG TIN-DIPPED OR WELL FERRULED STRANDED WIRE.
B: 0.5-1.5MM², 20-16AWG SOLID WIRE.
0.5-0.75MM², 20-18AWG TIN-DIPPED OR WELL FERRULED STRANDED WIRE.
C: 0.5-2.5MM², 20-14AWG SOLID OR STRANDED WIRE.
- △ LOGO MARK APPROXIMATION LOCATION.

5-2834242-7	WHITE
PART NUMBER	PART COLOR

THIS DRAWING IS A CONTROLLED DOCUMENT.		DWN	12DEC2016	 TE Connectivity					
<table border="1"> <tr> <td>DIMENSIONS:</td> <td>TOLERANCES UNLESS OTHERWISE SPECIFIED:</td> </tr> <tr> <td>mm</td> <td></td> </tr> </table>		DIMENSIONS:	TOLERANCES UNLESS OTHERWISE SPECIFIED:			mm		CHK	12DEC2016
		DIMENSIONS:	TOLERANCES UNLESS OTHERWISE SPECIFIED:						
mm									
		APVD	12DEC2016	NAME					
		XU XIANG		PUSH WIRE CONNECTOR					
MATERIAL		FINISH		PRODUCT SPEC	108-137270				
-		-		APPLICATION SPEC	114-137270				
				WEIGHT	13.49g				
				CUSTOMER DRAWING					
				SIZE	A3				
				CAGE CODE	00779				
				DRAWING NO	C-2834242				
				RESTRICTED TO	-				
				SCALE	1.5:1				
				SHEET	34 of 38				
				REV	C				

THIS DRAWING IS UNPUBLISHED.

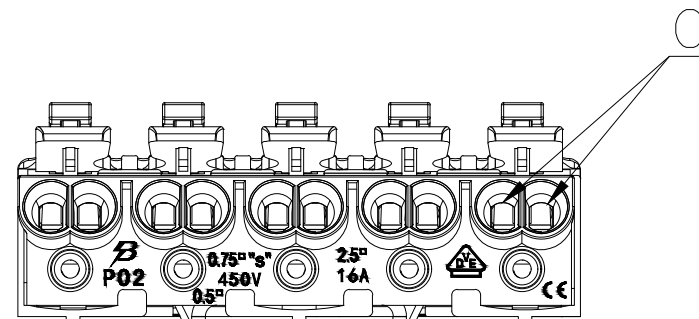
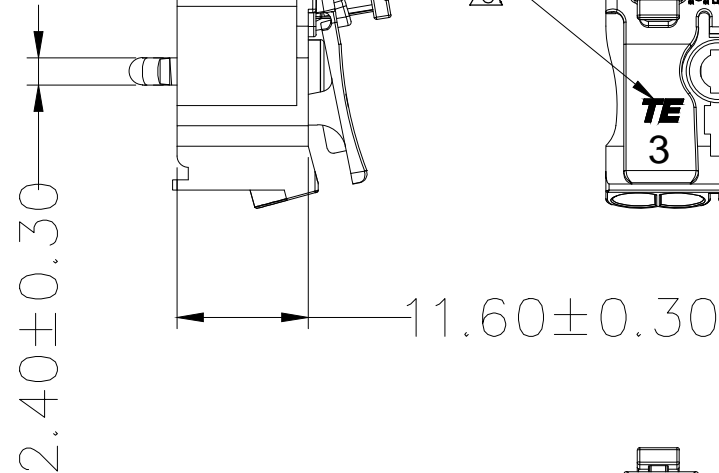
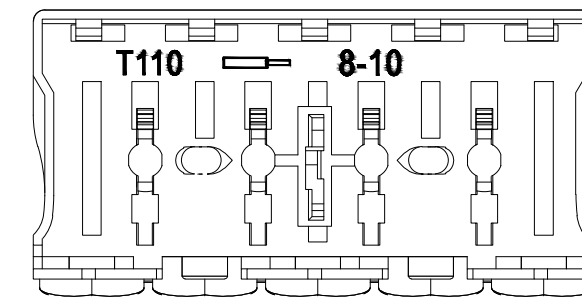
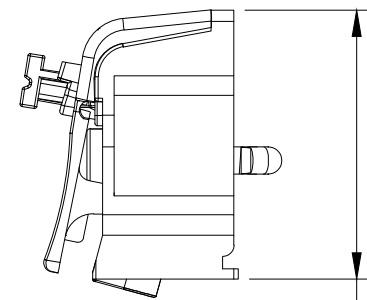
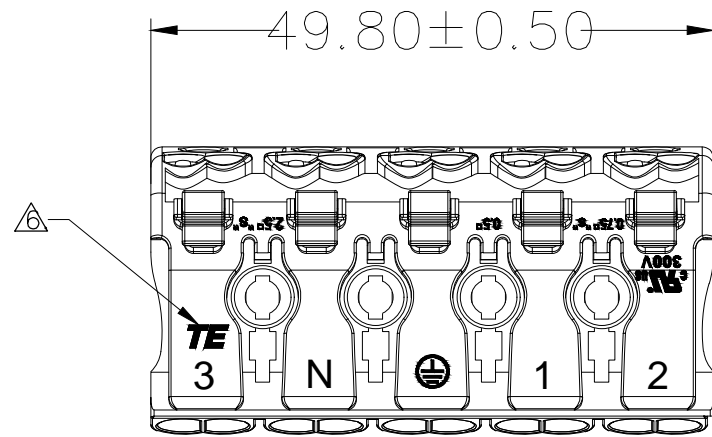
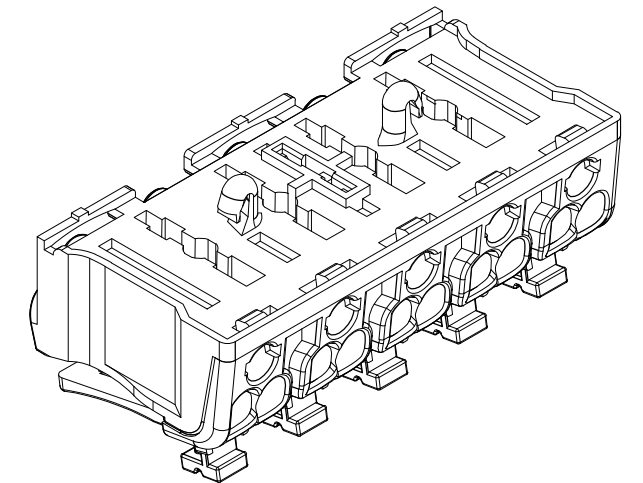
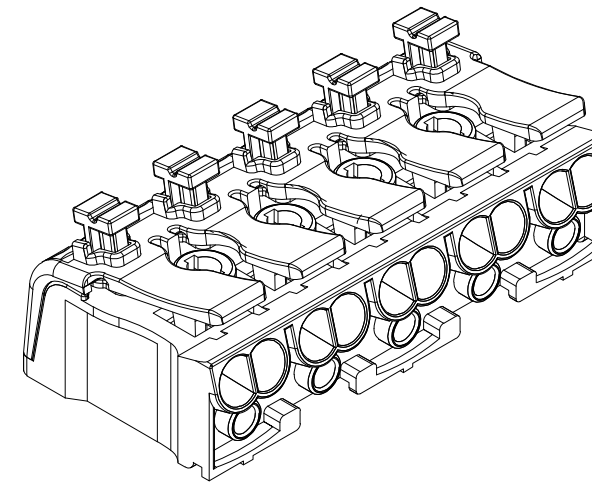
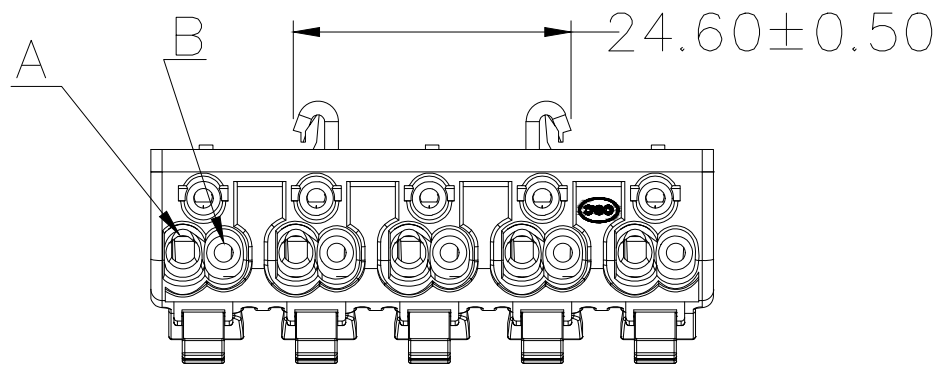
RELEASED FOR PUBLICATION

REVISIONS

© COPYRIGHT - By -


ALL RIGHTS RESERVED.

P	LTR	DESCRIPTION	DATE	DWN	APVD
-	-	SEE SHEET 1	-	-	-



- NOTE:
- PART NUMBER: SEE TABLE.
 - MATERIAL:
TERMINAL: BRASS & STAINLESS STEEL SPRING.
HOUSING: PA UL94-V2 & PC UL94-V2.
 - FINISH
TERMINAL: NICKEL PLATED.
 - PACKAGING: PLASTIC BAG.
 - APPLICABLE WIRE:
A: 0.5-2.5MM², 20-14AWG SOLID WIRE.
0.5-1.5MM², 20-16AWG TIN-DIPPED OR WELL FERRULED STRANDED WIRE.
B: 0.5-1.5MM², 20-16AWG SOLID WIRE.
0.5-0.75MM², 20-18AWG TIN-DIPPED OR WELL FERRULED STRANDED WIRE.
C: 0.5-2.5MM², 20-14AWG SOLID OR STRANDED WIRE.
- △ LOGO MARK APPROXIMATION LOCATION.

5-2834242-8	WHITE
PART NUMBER	PART COLOR

THIS DRAWING IS A CONTROLLED DOCUMENT.		DWN ZHANG WEI 12DEC2016	 TE Connectivity NAME PUSH WIRE CONNECTOR											
DIMENSIONS: mm		CHK SHI MING 12DEC2016												
TOLERANCES UNLESS OTHERWISE SPECIFIED:		APVD XU XIANG 12DEC2016												
<table border="1"> <tr> <td>0 PLC</td> <td>± 1</td> </tr> <tr> <td>1 PLC</td> <td>± 1</td> </tr> <tr> <td>2 PLC</td> <td>± 1</td> </tr> <tr> <td>3 PLC</td> <td>± 1</td> </tr> <tr> <td>4 PLC</td> <td>± 1</td> </tr> <tr> <td>ANGLES</td> <td>± 5</td> </tr> </table>		0 PLC				± 1	1 PLC	± 1	2 PLC	± 1	3 PLC	± 1	4 PLC	± 1
0 PLC	± 1													
1 PLC	± 1													
2 PLC	± 1													
3 PLC	± 1													
4 PLC	± 1													
ANGLES	± 5													
MATERIAL	FINISH	APPLICATION SPEC 114-137270	SIZE A3	CAGE CODE 00779	DRAWING NO C-2834242	RESTRICTED TO								
CUSTOMER DRAWING			WEIGHT 13.49g	SCALE 1.5:1		SHEET 35 of 38								
			REV C											

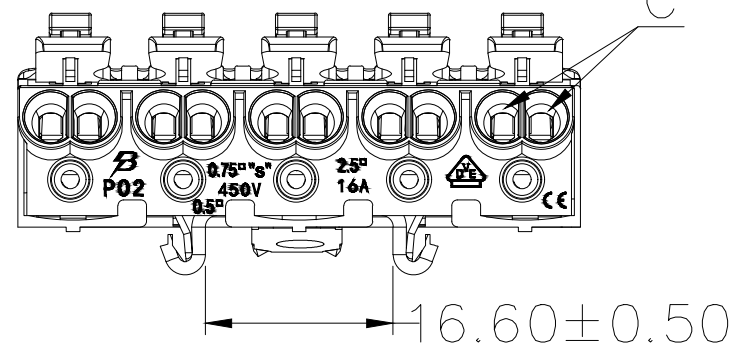
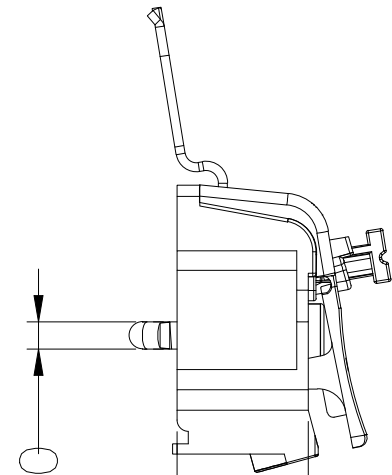
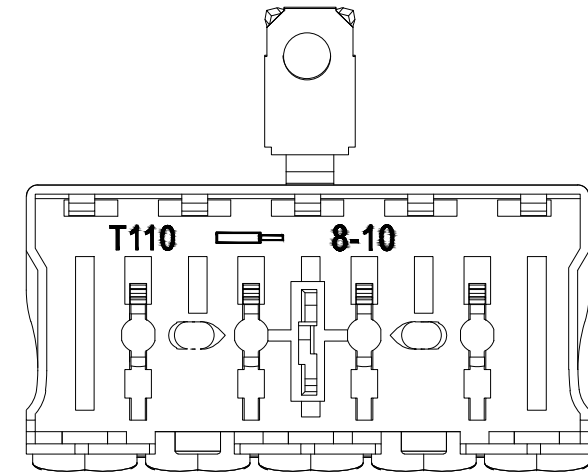
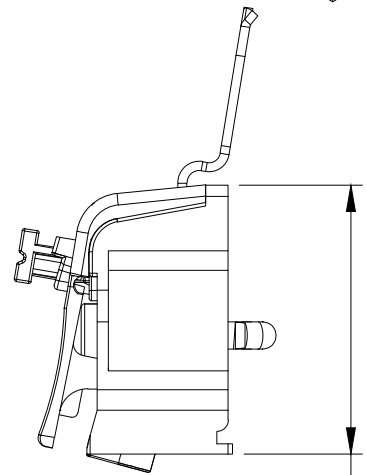
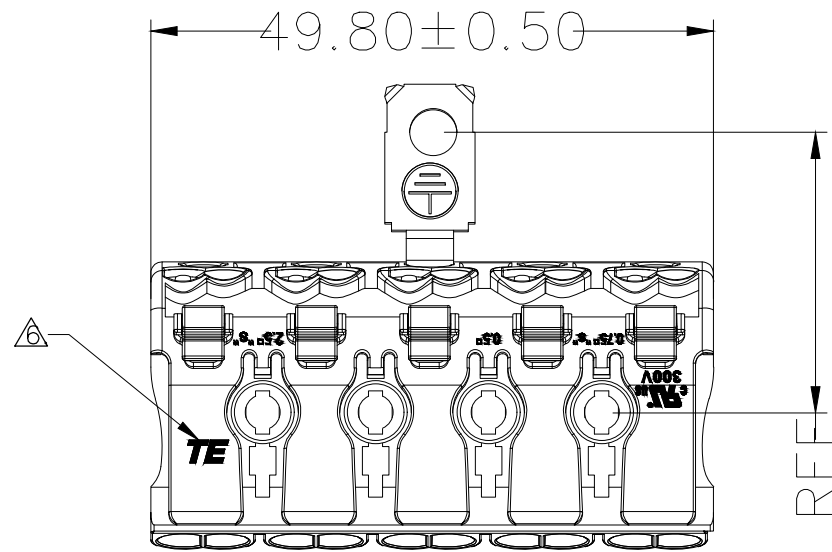
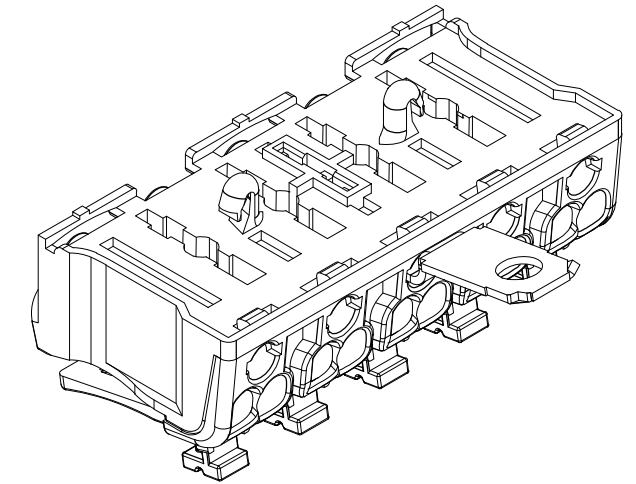
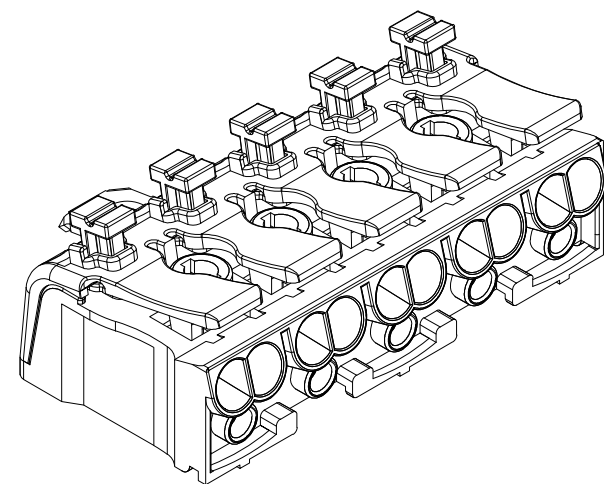
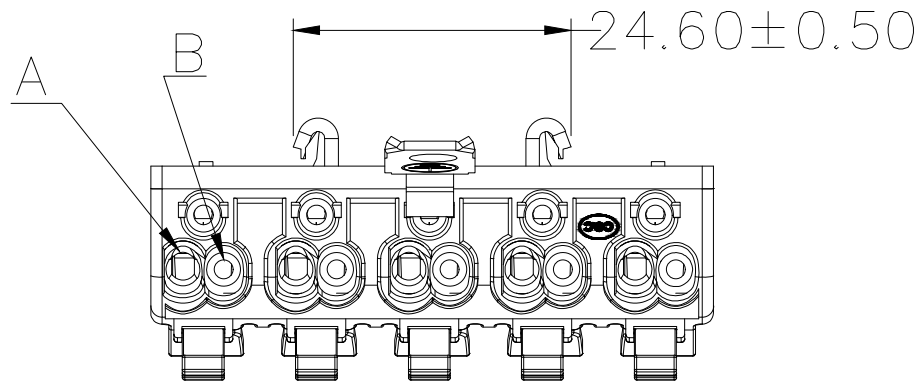
THIS DRAWING IS UNPUBLISHED.

RELEASED FOR PUBLICATION

ALL RIGHTS RESERVED.

REVISIONS

P	LTR	DESCRIPTION	DATE	DWN	APVD
-	-	SEE SHEET 1	-	-	-



- NOTE:
- PART NUMBER: SEE TABLE.
 - MATERIAL:
TERMINAL: BRASS & STAINLESS STEEL SPRING.
HOUSING: PA UL94-V2 & PC UL94-V2.
 - FINISH
TERMINAL: NICKEL PLATED.
 - PACKAGING: PLASTIC BAG.
 - APPLICABLE WIRE:
A: 0.5-2.5MM², 20-14AWG SOLID WIRE.
0.5-1.5MM², 20-16AWG TIN-DIPPED OR WELL FERRULED STRANDED WIRE.
B: 0.5-1.5MM², 20-16AWG SOLID WIRE.
0.5-0.75MM², 20-18AWG TIN-DIPPED OR WELL FERRULED STRANDED WIRE.
C: 0.5-2.5MM², 20-14AWG SOLID OR STRANDED WIRE.
- △ LOGO MARK APPROXIMATION LOCATION.

⑤	5-2834242-9	WHITE
	PART NUMBER	PART COLOR

THIS DRAWING IS A CONTROLLED DOCUMENT.

DIMENSIONS:	TOLERANCES UNLESS OTHERWISE SPECIFIED:
mm	
	0 PLC ±1
	1 PLC ±1
	2 PLC ±1
	3 PLC ±1
	4 PLC ±1
	ANGLES ±5
MATERIAL	FINISH
-	-

DWN	ZHANG WEI	12DEC2016
CHK	SHI MING	12DEC2016
APVD	XU XIANG	12DEC2016
PRODUCT SPEC	108-137270	
APPLICATION SPEC	114-137270	
WEIGHT	14.451g	
CUSTOMER DRAWING		

TE Connectivity		NAME	
		PUSH WIRE CONNECTOR	
SIZE	CAGE CODE	DRAWING NO	RESTRICTED TO
A3	00779	C-2834242	-
SCALE 1.5:1		SHEET 36 of 38	REV C

THIS DRAWING IS UNPUBLISHED.

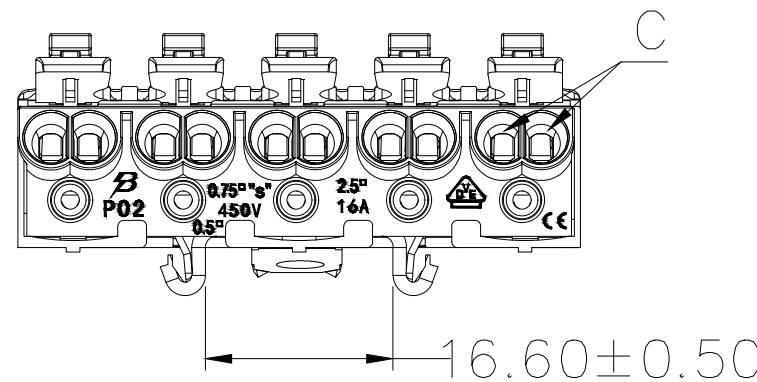
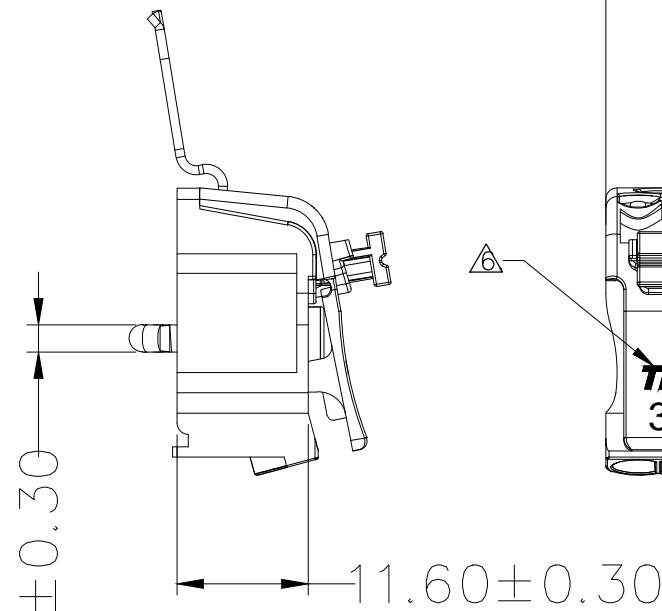
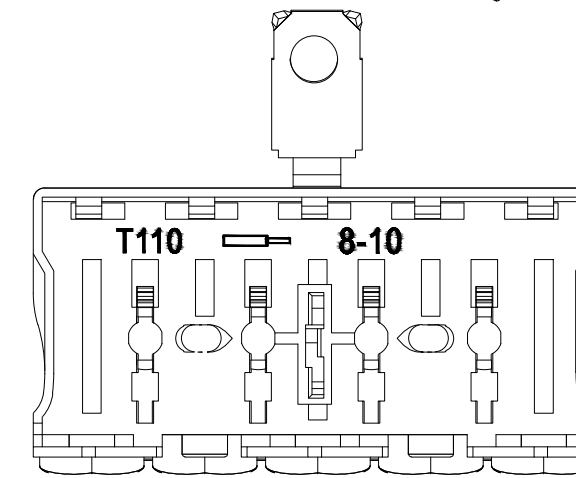
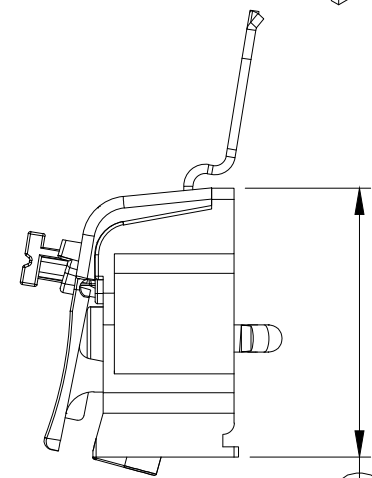
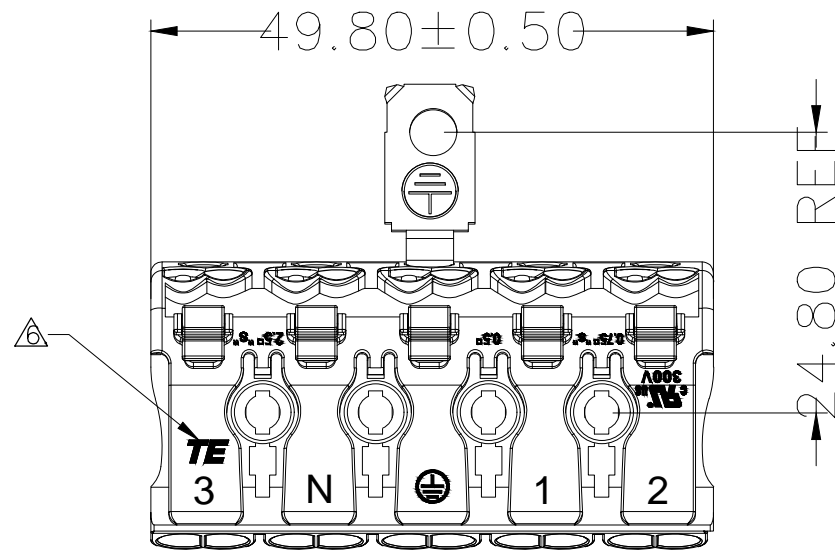
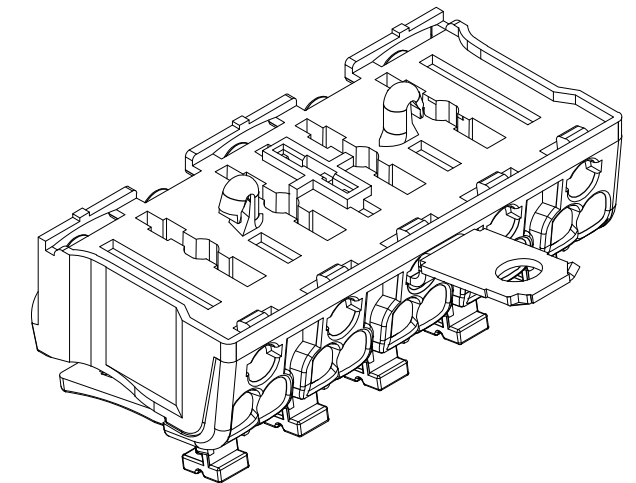
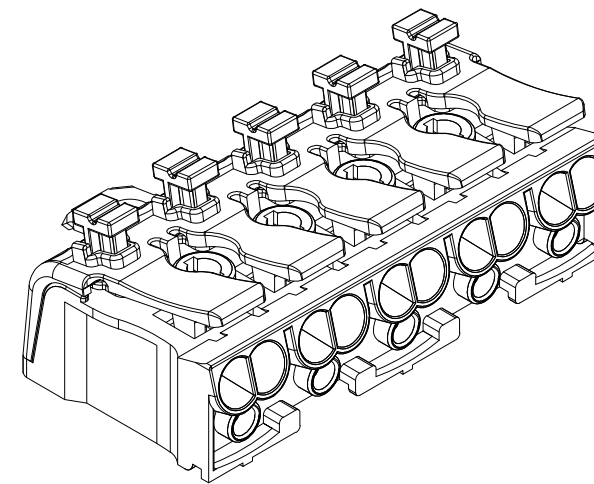
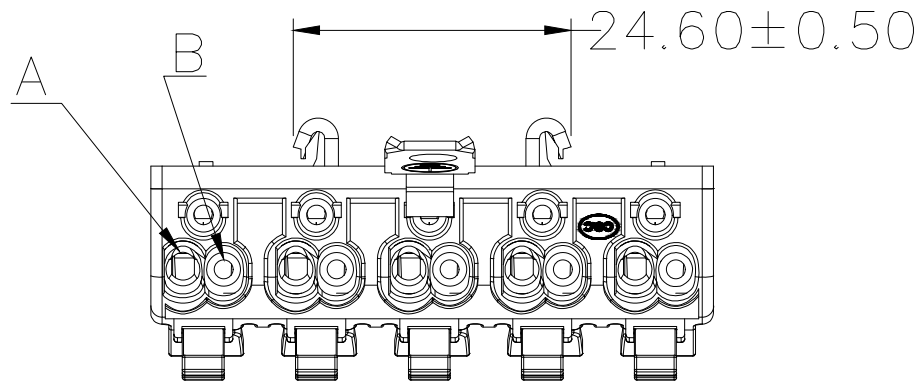
RELEASED FOR PUBLICATION

ALL RIGHTS RESERVED.

© COPYRIGHT - By -

REVISIONS

P	LTR	DESCRIPTION	DATE	DWN	APVD
-	-	SEE SHEET 1	-	-	-



23.80±0.50

NOTE:

- PART NUMBER: SEE TABLE.
 - MATERIAL:
TERMINAL: BRASS & STAINLESS STEEL SPRING.
HOUSING: PA UL94-V2 & PC UL94-V2.
 - FINISH
TERMINAL: NICKEL PLATED.
 - PACKAGING: PLASTIC BAG.
 - APPLICABLE WIRE:
A: 0.5-2.5MM², 20-14AWG SOLID WIRE.
0.5-1.5MM², 20-16AWG TIN-DIPPED OR WELL FERRULED STRANDED WIRE.
B: 0.5-1.5MM², 20-16AWG SOLID WIRE.
0.5-0.75MM², 20-18AWG TIN-DIPPED OR WELL FERRULED STRANDED WIRE.
C: 0.5-2.5MM², 20-14AWG SOLID OR STRANDED WIRE.
- △ LOGO MARK APPROXIMATION LOCATION.

5-2834242-0	WHITE
PART NUMBER	PART COLOR

THIS DRAWING IS A CONTROLLED DOCUMENT.		DWN ZHANG WEI 12DEC2016	TE Connectivity NAME PUSH WIRE CONNECTOR											
DIMENSIONS: mm		CHK SHI MING 12DEC2016												
TOLERANCES UNLESS OTHERWISE SPECIFIED:		APVD XU XIANG 12DEC2016												
<table border="1"> <tr> <td>0 PLC</td> <td>± 1</td> </tr> <tr> <td>1 PLC</td> <td>± 1</td> </tr> <tr> <td>2 PLC</td> <td>± 1</td> </tr> <tr> <td>3 PLC</td> <td>± 1</td> </tr> <tr> <td>4 PLC</td> <td>± 1</td> </tr> <tr> <td>ANGLES</td> <td>± 5</td> </tr> </table>		0 PLC				± 1	1 PLC	± 1	2 PLC	± 1	3 PLC	± 1	4 PLC	± 1
0 PLC	± 1													
1 PLC	± 1													
2 PLC	± 1													
3 PLC	± 1													
4 PLC	± 1													
ANGLES	± 5													
MATERIAL	FINISH	APPLICATION SPEC 114-137270	SIZE	CAGE CODE	DRAWING NO	RESTRICTED TO								
-	-	WEIGHT 14.451g	A3	00779	C-2834242	-								
CUSTOMER DRAWING			SCALE 1.5:1	SHEET 37 of 38	REV C									

THIS DRAWING IS UNPUBLISHED.

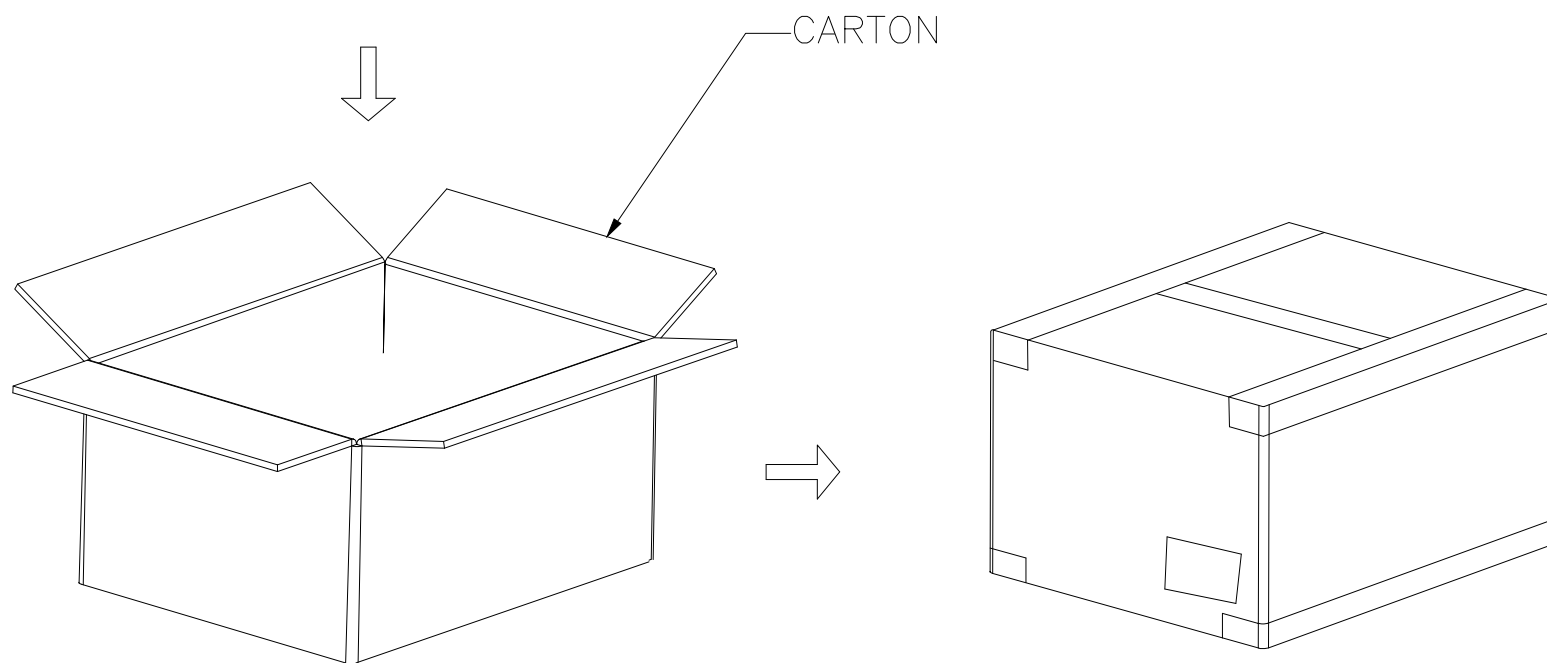
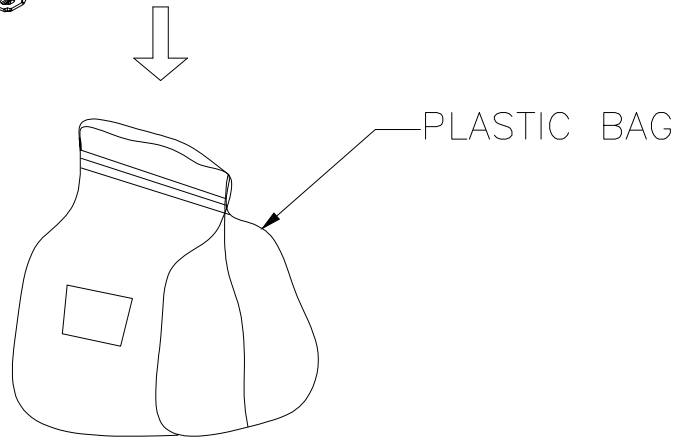
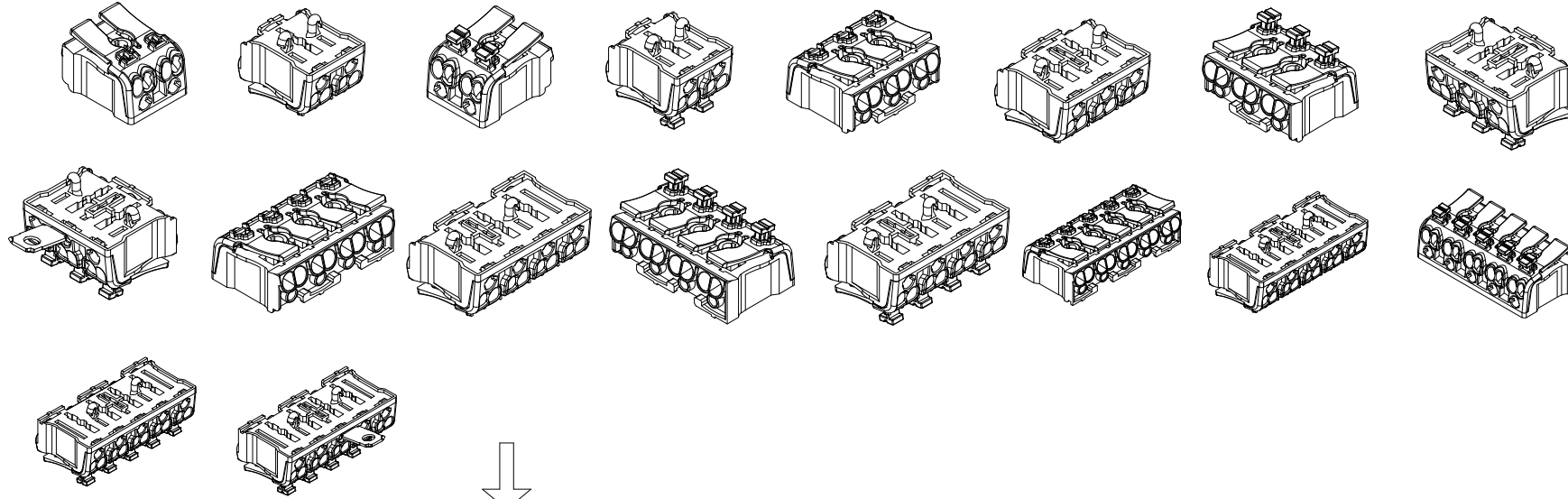
RELEASED FOR PUBLICATION

© COPYRIGHT - By -

ALL RIGHTS RESERVED.

REVISIONS

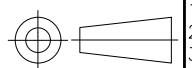
P	LTR	DESCRIPTION	DATE	DWN	APVD
-	-	SEE SHEET 1	-	-	-



NOTE:
 1.PACKAGING QUANTITY: SEE TABLE.
 2.PACKAGING SPEC: 107-137270.

PART NUMBER	PAIRS PER BAG	BAGS PER CARTON	PAIRS PER CARTON
2-2834242-*	100	10	1000
3-2834242-*	50	10	500
4-2834242-*	40	10	400
5-2834242-*	40	10	400

THIS DRAWING IS A CONTROLLED DOCUMENT.

DIMENSIONS: mm	TOLERANCES UNLESS OTHERWISE SPECIFIED:
	0 PLC ± 1 1 PLC ± 1 2 PLC ± 1 3 PLC ± 1 4 PLC ± 1 ANGLES ± 5
MATERIAL	FINISH
-	-

DWN	ZHANG WEI	12DEC2016
CHK	SHI MING	12DEC2016
APVD	XU XIANG	12DEC2016
PRODUCT SPEC	108-137270	
APPLICATION SPEC	114-137270	
WEIGHT	-	
CUSTOMER DRAWING		



NAME				PUSH WIRE CONNECTOR	
SIZE				-	
CAGE CODE	00779	DRAWING NO	C-2834242		
RESTRICTED TO			-		
SCALE	-	SHEET	38 of 38	REV	C