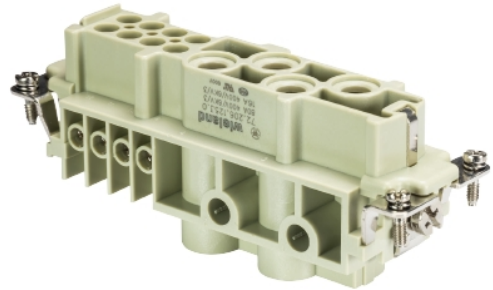


Data sheet

Commercial Art.No.: 72.206.1253.0

Female insert POW BUS 4/8 NL BB AG



| | |
|--------------------|---------------|
| Commercial Art.No. | 72.206.1253.0 |
| EAN | 4049088169342 |
| Order Unit | 5 |

Certificates / Approvals



Technical data

General

| | |
|--|---------------|
| Model | Female insert |
| Inflammability class of insulation material acc. with UL94 | V2 |
| Color | Grey |
| Mating cycles | 200 |
| Pollution degree | 3 |
| Modular version | No |
| Operating temperature range min. | -40 °C |
| Operating temperature range max. | 120 °C |

Connection Data

| | |
|--|--------------------|
| Connection type | screw connection |
| Number of poles | 4 |
| Plus switching contacts | 0 |
| Number of pole for rated current 2 | 0 |
| Number of pole for rated current 3 | 0 |
| Total number of poles (without ground contact) | 4 |
| With wire protection | yes |
| Min. conductor diameter rigid (solid/stranded) | 6 mm ² |
| Max. conductor diameter rigid (solid/stranded) | 16 mm ² |
| Protective contact | yes |

Technical Data UL/CSA

| | |
|--|--------------------|
| Rated voltage according to UL/CSA | 600 V |
| Rated current according UL | 82 A |
| Rated current according CSA | 82 A |
| Min. conductor cross section flexible wire | 6 mm ² |
| Max. conductor cross section flexible wire | 16 mm ² |

| | |
|---|----------|
| Conductor cross section flexible AWG wire | 10-4 AWG |
|---|----------|

Model

| | |
|--------------|----|
| With housing | No |
|--------------|----|

Contacts

| | |
|--------------------|---------------|
| Contact material | Copper alloy |
| Surface | Silver-plated |
| Contact resistance | ≤ 0.6 mOhm |
| Wire strip length | 10 mm |

Screws head design/recomm. Torque

| | |
|-------------------------|--------------------|
| Mounting screws | H1/0.5-0.7 Nm |
| Clamping screws | H2/2.5-3.0 Nm |
| Ground conductor screws | M5/2.0-2.5 Nm Slot |

Technical Data DIN EN 61984

| | |
|---------------------------|-------|
| Nominal voltage | 400 V |
| Rated voltage 2 | 400 V |
| Rated voltage face/ground | 400 V |
| Nominal current | 82 A |
| Rated current 2 | 16 A |
| Rated impulse voltage | 6 kV |

Classification

| | |
|------------|----------|
| ECLASS 11 | |
| ECLASS 8.1 | 27440205 |
| ETIM 7.0 | EC000438 |
| ETIM 6.0 | EC000438 |
| ETIM 5.0 | EC000438 |
| ETIM 4.0 | EC000438 |

Product compliance

| | |
|------------------------------|-----------|
| ROHS conformity status | Compliant |
| REACH-SVHC conformity status | Compliant |

Fits with

| Commercial Art.No.: | Article-type description: | Description: |
|---------------------|---------------------------|--|
| 71.350.2435.0 | Hood BAS GOT GG 24 M25 A0 | Hood revos basic made of aluminum, for single locking lever with cable gland M25 on the right side (IP54), low version, 24-poles |
| 71.350.2435.1 | Hood BAS GOT GG 24 M25 A1 | Hood revos basic made of aluminum, for single locking lever with threaded hole M25 on the right side, low version, 24-poles |
| 71.350.2435.2 | Hood BAS GOT GG 24 M25 A2 | Hood revos basic made of aluminum, for single locking lever with nozzleM25 on the right side, low version, 24-poles |
| 71.350.2435.3 | Hood BAS GOT GG 24 M25 A3 | Hood revos basic made of aluminum, for single locking lever with trumpet gland M25 on the right side (IP54), low version, 24-poles |
| 71.352.2435.0 | Hood BAS GOT GI 24 M25 A0 | Hood revos basic made of aluminum, for single locking lever with cable gland M25 on the top (IP54), low version, 24-poles |

| | | |
|---------------|------------------------------|---|
| 71.352.2435.1 | Hood BAS GOT GI 24 M25 A1 | Hood revos basic made of aluminum, for single locking lever with threaded hole M25 on the top, low version, 24-poles |
| 71.352.2435.2 | Hood BAS GOT GI 24 M25 A2 | Hood revos basic made of aluminum, for single locking lever with nozzleM25 on the top, low version, 24-poles |
| 71.352.2435.3 | Hood BAS GOT GI 24 M25 A3 | Hood revos basic made of aluminum, for single locking lever with trumpet gland M25 on the top (IP54), low version, 24-poles |
| 71.353.2435.0 | Hood BAS GOT GG 24 M32 A0 | Hood revos basic made of aluminum, for single locking lever with cable gland M32 on the right side (IP54), low version, 24-poles |
| 71.353.2435.1 | Hood BAS GOT GG 24 M32 A1 | Hood revos basic made of aluminum, for single locking lever with threaded hole M32 on the right side, low version, 24-poles |
| 71.353.2435.2 | Hood BAS GOT GG 24 M32 A2 | Hood revos basic made of aluminum, for single locking lever with nozzleM32 on the right side, low version, 24-poles |
| 71.353.2435.3 | Hood BAS GOT GG 24 M32 A3 | Hood revos basic made of aluminum, for single locking lever with trumpet gland M32 on the right side (IP54), low version, 24-poles |
| 71.354.2435.0 | Hood BAS GOT GI 24 M32 A0 | Hood revos basic made of aluminum, for single locking lever with cable gland M32 on the top (IP54), low version, 24-poles |
| 71.354.2435.1 | Hood BAS GOT GI 24 M32 A1 | Hood revos basic made of aluminum, for single locking lever with threaded hole M32 on the top, low version, 24-poles |
| 71.354.2435.2 | Hood BAS GOT GI 24 M32 A2 | Hood revos basic made of aluminum, for single locking lever with nozzleM32 on the top, low version, 24-poles |
| 71.354.2435.3 | Hood BAS GOT GI 24 M32 A3 | Hood revos basic made of aluminum, for single locking lever with trumpet gland M32 on the top (IP54), low version, 24-poles |
| 71.372.2435.0 | Hood BAS GOT GL 24 M25 A0 | Hood revos basic made of aluminum, with single locking lever and cable gland M25 on the top - free cable connection (IP54), low version, 24-poles |
| 71.372.2435.1 | Hood BAS GOT GL 24 M25 A1 | Hood revos basic made of aluminum, with single locking lever and threaded hole M25 on the top - free cable connection, low version, 24-poles |
| 71.374.2435.0 | Hood BAS GOT GL 24 M32 A0 | Hood revos basic made of aluminum, with single locking lever and cable gland M32 on the top - free cable connection (IP54), low version, 24-poles |
| 76.350.6435.0 | Hood BAS GOT GG 24HM25 50 A0 | Hood revos basic made of aluminum, for single locking lever with cable gland M25 on the right side (IP54), low version, 24-poles |
| 76.350.6435.1 | Hood BAS GOT GG 24HM25 50 A1 | Hood revos basic made of aluminum, for single locking lever with threaded hole M25 on the right side, low version, 24-poles |
| 76.350.6435.3 | Hood BAS GOT GG 24H M25 A3 | Hood revos basic made of aluminum, for single locking lever with trumpet gland M25 on the right side (IP54), low version, 24-poles |
| 76.351.2435.0 | Hood BAS GOT GH 24H M25 A0 | Hood revos basic made of aluminum, for single locking lever with cable gland M25 on the front (IP54), low version, 24-poles |
| 76.351.2435.1 | Hood BAS GOT GH 24H M25 A1 | Hood revos basic made of aluminum, for single locking lever with threaded hole M25 on the front, low version, 24-poles |
| 76.351.2435.3 | Hood BAS GOT GH 24H M25 A3 | Hood revos basic made of aluminum, for single locking lever with trumpet gland M25 on the front (IP54), low version, 24-poles |
| 76.352.6435.0 | Hood BAS GOT GI 24HM25 50 A0 | Hood revos basic made of aluminum, for single locking lever with cable gland M25 on the top (IP54), low version, 24-poles |
| 76.352.6435.1 | Hood BAS GOT GI 24HM25 50 A1 | Hood revos basic made of aluminum, for single locking lever with threaded hole M25 on the top, low version, 24-poles |
| 76.352.6435.3 | Hood BAS GOT GI 24H M25 A3 | Hood revos basic made of aluminum, for single locking lever with trumpet gland M25 on the top (IP54), low version, 24-poles |
| 76.353.6435.0 | Hood BAS GOT GG 24HM32 50 A0 | Hood revos basic made of aluminum, for single locking lever with cable gland M32 on the right side (IP54), low version, 24-poles |
| 76.353.6435.1 | Hood BAS GOT GG 24HM32 50 A1 | Hood revos basic made of aluminum, for single locking lever with threaded hole M32 on the right side, low version, 24-poles |
| 76.353.6435.3 | Hood BAS GOT GG 24H M32 A3 | Hood revos basic made of aluminum, for single locking lever with trumpet gland M32 on the right side (IP54), low version, 24-poles |

| | | |
|---------------|--------------------------------|---|
| 76.354.6435.0 | Hood BAS GOT GI 24HM32 50 A0 | Hood revos basic made of aluminum, for single locking lever with cable gland M32 on the top (IP54), low version, 24-poles |
| 76.354.6435.1 | Hood BAS GOT GI 24HM32 50 A1 | Hood revos basic made of aluminum, for single locking lever with threaded hole M32 on the top, low version, 24-poles |
| 76.360.6435.1 | Hood BAS GOT GG 24H M40 A1 | Hood revos basic made of aluminum, for single locking lever with threaded hole M40 on the right side, low version, 24-poles |
| 76.362.6435.1 | Hood BAS GOT GI 24H M40 A1 | Hood revos basic made of aluminum, for single locking lever with threaded hole M40 on the top, low version, 24-poles |
| 71.320.2428.0 | Bottom BAS GUT GK 24 A | Bottom-base revos basic made of aluminum, with single locking lever, open, low version, 24-poles |
| 71.325.2428.0 | Bottom BAS GUT GP 24 A | Bottom-base revos basic made of aluminum, with single locking lever, open, low version, 24-poles |
| 71.330.2435.0 | Bottom BAS GUT GL 24 M25 A0 | Bottom-base revos basic made of aluminum, with single locking lever and cable gland M25 on the right and left side (IP54), low version, 24-polig |
| 71.330.2435.1 | Bottom BAS GUT GL 24 M25 A1 | Bottom-base revos basic made of aluminum, with single locking lever and threaded hole M25 on the right and left side, low version, 24-polig |
| 71.331.2435.0 | Bottom BAS GUT GM 24 M25 A0 | Bottom-base revos basic made of aluminum, with single locking lever and cable gland M25 on the left side (IP54), low version, 24-polig |
| 71.331.2435.1 | Bottom BAS GUT GM 24 M25 A1 | Bottom-base revos basic made of aluminum, with single locking lever and threaded hole M25 on the left side, low version, 24-polig |
| 71.333.2435.0 | Bottom BAS GUT GO 24 M25 A0 | Bottom-base revos basic made of aluminum, with single locking lever and cable gland M25 on the bottom (IP54), low version, 24-polig |
| 71.333.2435.1 | Bottom BAS GUT GO 24 M25 A1 | Bottom-base revos basic made of aluminum, with single locking lever and threaded hole M25 on the bottom, low version, 24-polig |
| 71.340.2435.0 | Bottom BAS GUT GR 24 M25 A0 | Bottom-base revos basic made of aluminum, with single locking lever and cable gland M25 on the right and the left side, with protective cover (IP54), low version, 24-polig |
| 71.340.2435.1 | Bottom BAS GUT GR 24 M25 A1 | Bottom-base revos basic made of aluminum, with single locking lever and threaded hole M25 on the right and the left side, with protective cover, low version, 24-polig |
| 71.341.2435.0 | Bottom BAS GUT GS 24 M25 A0 | Bottom-base revos basic made of aluminum, with single locking lever and cable gland M25 on the left side, with protective cover (IP54), low version, 24-polig |
| 71.341.2435.1 | Bottom BAS GUT GS 24 M25 A1 | Bottom-base revos basic made of aluminum, with single locking lever and threaded hole M25 on the left side, with protective cover, low version, 24-polig |
| 71.342.2435.0 | Bottom BAS GUT GT 24 M25 A0 | Bottom-base revos basic made of aluminum, with single locking lever and cable gland M25 on the right side, with protective cover (IP54), low version, 24-polig |
| 71.342.2435.1 | Bottom BAS GUT GT 24 M25 A1 | Bottom-base revos basic made of aluminum, with single locking lever and threaded hole M25 on the right side, with protective cover, low version, 24-polig |
| 71.343.2435.0 | Bottom BAS GUT GU 24 M25 A0 | Bottom-base revos basic made of aluminum, with single locking lever and cable gland M25 on the bottom, with protective cover (IP54), low version, 24-polig |
| 71.343.2435.1 | Bottom BAS GUT GU 24 M25 A1 | Bottom-base revos basic made of aluminum, with single locking lever and threaded hole M25 on the bottom, with protective cover, low version, 24-polig |
| 76.334.6435.0 | Bottom BAS GUT GL 24HM32 50 A0 | Bottom-base revos basic made of aluminum, with single locking lever and cable gland M32 on the right and left side (IP54), low version, 24-polig |
| 76.334.6435.1 | Bottom BAS GUT GL 24HM32 50 A1 | Bottom-base revos basic made of aluminum, with single locking lever and threaded hole M32 on the right and left side, low version, 24-polig |
| 76.335.6435.0 | Bottom BAS GUT GM 24HM32 50 A0 | Bottom-base revos basic made of aluminum, with single locking lever and cable gland M32 on the left side (IP54), low version, 24-polig |

| | | |
|---------------|--------------------------------|---|
| 76.335.6435.1 | Bottom BAS GUT GM 24HM32 50 A1 | Bottom-base revos basic made of aluminum, with single locking lever and threaded hole M32 on the left side, low version, 24-polig |
| 76.337.6435.0 | Bottom BAS GUT GO 24HM32 50 A0 | Bottom-base revos basic made of aluminum, with single locking lever and cable gland M32 on the bottom (IP54), low version, 24-polig |
| 76.337.6435.1 | Bottom BAS GUT GO 24HM32 50 A1 | Bottom-base revos basic made of aluminum, with single locking lever and threaded hole M32 on the bottom, low version, 24-polig |
| 76.344.6435.0 | Bottom BAS GUT GR 24HM32 50 A0 | Bottom-base revos basic made of aluminum, with single locking lever and cable gland M32 on the right and the left side, with protective cover (IP54), low version, 24-polig |
| 76.344.6435.1 | Bottom BAS GUT GR 24HM32 50 A1 | Bottom-base revos basic made of aluminum, with single locking lever and threaded hole M32 on the right and the left side, with protective cover, low version, 24-polig |
| 76.345.6435.0 | Bottom BAS GUT GS 24HM32 50 A0 | Bottom-base revos basic made of aluminum, with single locking lever and cable gland M32 on the left side, with protective cover (IP54), low version, 24-polig |
| 76.345.6435.1 | Bottom BAS GUT GS 24HM32 50 A1 | Bottom-base revos basic made of aluminum, with single locking lever and threaded hole M32 on the left side, with protective cover, low version, 24-polig |
| 76.346.6435.0 | Bottom BAS GUT GT 24HM32 50 A0 | Bottom-base revos basic made of aluminum, with single locking lever and cable gland M32 on the right side, with protective cover (IP54), low version, 24-polig |
| 76.346.6435.1 | Bottom BAS GUT GT 24HM32 50 A1 | Bottom-base revos basic made of aluminum, with single locking lever and threaded hole M32 on the right side, with protective cover, low version, 24-polig |
| 76.347.6435.1 | Bottom BAS GUT GU 24HM32 50 A1 | Bottom-base revos basic made of aluminum, with single locking lever and threaded hole M32 on the bottom, with protective cover, low version, 24-polig |
| 70.350.2435.0 | Hood BAS GOT GA 24 M25 A0 | Hood revos basic made of aluminum, for double locking lever or. screw cap with cable gland M25 on the right side (IP54), low version, 24-poles |
| 70.350.2435.1 | Hood BAS GOT GA 24 M25 A1 | Hood revos basic made of aluminum, for double locking lever or. screw cap with threaded hole M25 on the right side, low version, 24-poles |
| 70.350.2435.2 | Hood BAS GOT GA 24 M25 A2 | Hood revos basic made of aluminum, for double locking lever or. screw cap with nozzle M25 on the right side, low version, 24-poles |
| 70.350.2435.3 | Hood BAS GOT GA 24 M25 A3 | Hood revos basic made of aluminum, for double locking lever or. screw cap with trumpet gland M25 on the right side (IP54), low version, 24-poles |
| 70.352.2435.0 | Hood BAS GOT GC 24 M25 A0 | Hood revos basic made of aluminum, for double locking lever or. screw cap with cable gland M25 on the top (IP54), low version, 24-poles |
| 70.352.2435.1 | Hood BAS GOT GC 24 M25 A1 | Hood revos basic made of aluminum, for double locking lever or. screw cap with threaded hole M25 on the top, low version, 24-poles |
| 70.352.2435.2 | Hood BAS GOT GC 24 M25 A2 | Hood revos basic made of aluminum, for double locking lever or. screw cap with nozzle M25 on the top, low version, 24-poles |
| 70.352.2435.3 | Hood BAS GOT GC 24 M25 A3 | Hood revos basic made of aluminum, for double locking lever or. screw cap with trumpet gland M25 on the top (IP54), low version, 24-poles |
| 70.353.2435.0 | Hood BAS GOT GA 24 M32 A0 | Hood revos basic made of aluminum, for double locking lever or. screw cap with cable gland M32 on the right side (IP54), low version, 24-poles |
| 70.353.2435.1 | Hood BAS GOT GA 24 M32 A1 | Hood revos basic made of aluminum, for double locking lever or. screw cap with threaded hole M32 on the right side, low version, 24-poles |
| 70.353.2435.2 | Hood BAS GOT GA 24 M32 A2 | Hood revos basic made of aluminum, for double locking lever or. screw cap with nozzle M32 on the right side, low version, 24-poles |

| | | |
|---------------|------------------------------|---|
| 70.353.2435.3 | Hood BAS GOT GA 24 M32 A3 | Hood revos basic made of aluminum, for double locking lever or. screw cap with trumpet gland M32 on the right side (IP54), low version, 24-poles |
| 70.354.2435.0 | Hood BAS GOT GC 24 M32 A0 | Hood revos basic made of aluminum, for double locking lever or. screw cap with cable gland M32 on the top (IP54), low version, 24-poles |
| 70.354.2435.1 | Hood BAS GOT GC 24 M32 A1 | Hood revos basic made of aluminum, for double locking lever or. screw cap with threaded hole M32 on the top, low version, 24-poles |
| 70.354.2435.2 | Hood BAS GOT GC 24 M32 A2 | Hood revos basic made of aluminum, for double locking lever or. screw cap with nozzle M32 on the top, low version, 24-poles |
| 70.354.2435.3 | Hood BAS GOT GC 24 M32 A3 | Hood revos basic made of aluminum, for double locking lever or. screw cap with trumpet gland M32 on the top (IP54), low version, 24-poles |
| 70.355.2435.0 | Hood BAS GOT GD 24 M25 A0 | Hood revos basic made of aluminum, with double locking lever and cable gland M25 on the right side (IP54), low version, 24-poles |
| 70.355.2435.1 | Hood BAS GOT GD 24 M25 A1 | Hood revos basic made of aluminum, with double locking lever and threaded hole M25 on the right side, low version, 24-poles |
| 70.355.2435.2 | Hood BAS GOT GD 24 M25 A2 | Hood revos basic made of aluminum, with double locking lever and nozzleM25 on the right side, low version, 24-poles |
| 70.357.2435.0 | Hood BAS GOT GF 24 M25 A0 | Hood revos basic made of aluminum, with double locking lever and cable gland M25 on the top (IP54), low version, 24-poles |
| 70.357.2435.1 | Hood BAS GOT GF 24 M25 A1 | Hood revos basic made of aluminum, with double locking lever and threaded hole M25 on the top, low version, 24-poles |
| 70.357.2435.2 | Hood BAS GOT GF 24 M25 A2 | Hood revos basic made of aluminum, with double locking lever and nozzleM25 on the top, low version, 24-poles |
| 70.358.2435.0 | Hood BAS GOT GD 24 M32 A0 | Hood revos basic made of aluminum, with double locking lever and cable gland M32 on the right side (IP54), low version, 24-poles |
| 70.358.2435.1 | Hood BAS GOT GD 24 M32 A1 | Hood revos basic made of aluminum, with double locking lever and threaded hole M32 on the right side, low version, 24-poles |
| 70.358.2435.2 | Hood BAS GOT GD 24 M32 A2 | Hood revos basic made of aluminum, with double locking lever and nozzleM32 on the right side, low version, 24-poles |
| 70.359.2435.0 | Hood BAS GOT GF 24 M32 A0 | Hood revos basic made of aluminum, with double locking lever and cable gland M32 on the top (IP54), low version, 24-poles |
| 70.359.2435.1 | Hood BAS GOT GF 24 M32 A1 | Hood revos basic made of aluminum, with double locking lever and threaded hole M32 on the top, low version, 24-poles |
| 70.374.2435.0 | Hood BAS GOT GK 24 M32 A0 | Hood revos basic made of aluminum, with double locking lever and cable gland M32 on the top - free cable connection (IP54), low version, 24-poles |
| 70.374.2435.1 | Hood BAS GOT GK 24 M32 50 A1 | Hood revos basic made of aluminum, with double locking lever and threaded hole M32 on the top - free cable connection, low version, 24-poles |
| 70.374.2435.3 | Hood BAS GOT GK 24 M32 A3 | Hood revos basic made of aluminum, with double locking lever and trumpet gland M32 on the top - free cable connection (IP54), low version, 24-poles |
| 72.250.2435.2 | Hood POW GOT GA 24 M50 69 A2 | Hood revos basic made of aluminum, for double locking lever or. screw cap with nozzle M50 on the right side, low version, 24-poles |
| 73.350.6435.0 | Hood BAS GOT GA 24HM25 50 A0 | Hood revos basic made of aluminum, for double locking lever or. screw cap with cable gland M25 on the right side (IP54), low version, 24-poles |
| 73.350.6435.1 | Hood BAS GOT GA 24HM25 50 A1 | Hood revos basic made of aluminum, for double locking lever or. screw cap with threaded hole M25 on the right side, low version, 24-poles |
| 73.350.6435.2 | Hood BAS GOT GA 24HM25 50 A2 | Hood revos basic made of aluminum, for double locking lever or. screw cap with nozzle M25 on the right side, low version, 24-poles |

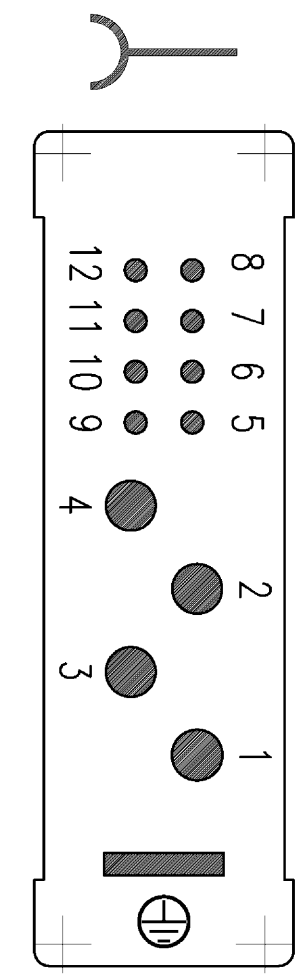
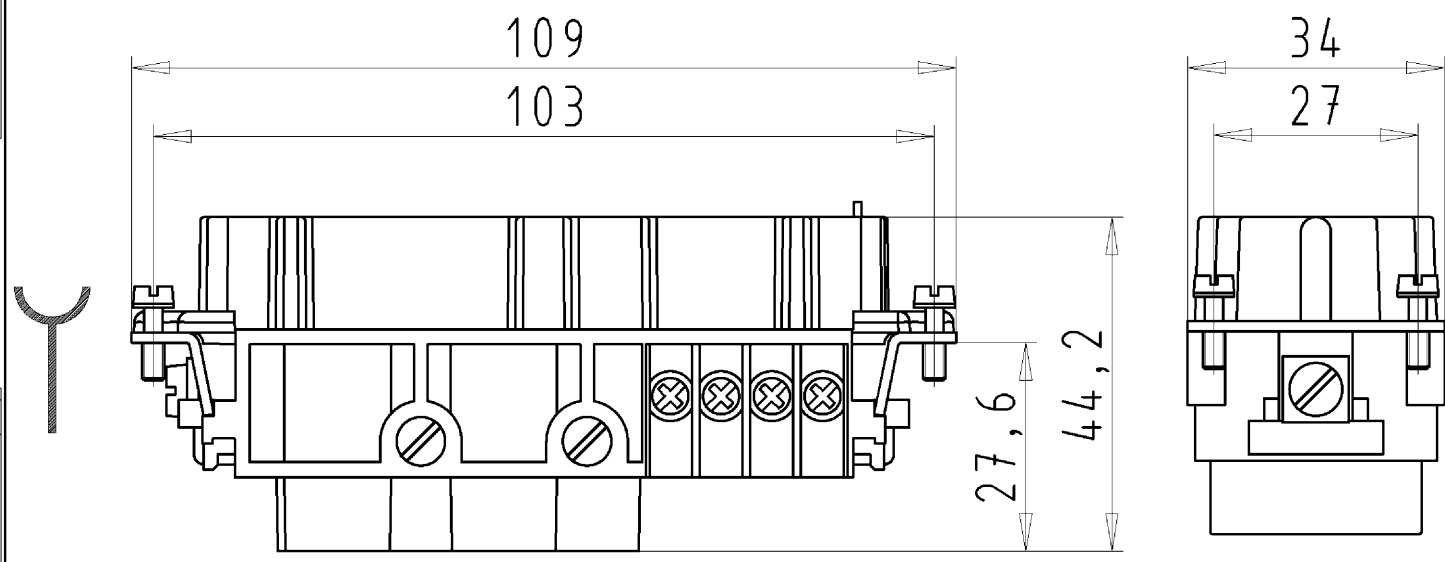
| | | |
|---------------|------------------------------|--|
| 73.350.6435.3 | Hood BAS GOT GA 24H M25 A3 | Hood revos basic made of aluminum, for double locking lever or. screw cap with trumpet gland M25 on the right side (IP54), low version, 24-poles |
| 73.351.2435.0 | Hood BAS GOT GB 24H M25 A0 | Hood revos basic made of aluminum, for double locking lever and cable gland M25 on the front (IP54), low version, 24-poles |
| 73.351.2435.1 | Hood BAS GOT GB 24H M25 A1 | Hood revos basic made of aluminum, for double locking lever and threaded hole M25 on the front, low version, 24-poles |
| 73.351.2435.3 | Hood BAS GOT GB 24H M25 A3 | Hood revos basic made of aluminum, for double locking lever and trumpetgland M25 on the front (IP54), low version, 24-poles |
| 73.352.6435.0 | Hood BAS GOT GC 24HM25 50 A0 | Hood revos basic made of aluminum, for double locking lever or. screw cap with cable gland M25 on the top (IP54), low version, 24-poles |
| 73.352.6435.1 | Hood BAS GOT GC 24HM25 50 A1 | Hood revos basic made of aluminum, for double locking lever or. screw cap with threaded hole M25 on the top, low version, 24-poles |
| 73.352.6435.3 | Hood BAS GOT GC 24H M25 A3 | Hood revos basic made of aluminum, for double locking lever or. screw cap with trumpet gland M25 on the top (IP54), low version, 24-poles |
| 73.353.6435.0 | Hood BAS GOT GA 24HM32 50 A0 | Hood revos basic made of aluminum, for double locking lever or. screw cap with cable gland M32 on the right side (IP54), low version, 24-poles |
| 73.353.6435.1 | Hood BAS GOT GA 24H M32 A1 | Hood revos basic made of aluminum, for double locking lever or. screw cap with threaded hole M32 on the right side, low version, 24-poles |
| 73.353.6435.2 | Hood BAS GOT GA 24HM32 50 A2 | Hood revos basic made of aluminum, for double locking lever or. screw cap with nozzle M32 on the right side, low version, 24-poles |
| 73.353.6435.3 | Hood BAS GOT GA 24H M32 A3 | Hood revos basic made of aluminum, for double locking lever or. screw cap with trumpet gland M32 on the right side (IP54), low version, 24-poles |
| 73.354.6435.0 | Hood BAS GOT GC 24HM32 50 A0 | Hood revos basic made of aluminum, for double locking lever or. screw cap with cable gland M32 on the top (IP54), low version, 24-poles |
| 73.354.6435.1 | Hood BAS GOT GC 24HM32 50 A1 | Hood revos basic made of aluminum, for double locking lever or. screw cap with threaded hole M32 on the top, low version, 24-poles |
| 73.354.6435.3 | Hood BAS GOT GC 24HM32 A3 | Hood revos basic made of aluminum, for double locking lever or. screw cap with trumpet gland M32 on the top (IP54), low version, 24-poles |
| 73.355.6435.0 | Hood BAS GOT GD 24HM25 50 A0 | Hood revos basic made of aluminum, with double locking lever and cable gland M25 on the right side (IP54), low version, 24-poles |
| 73.355.6435.1 | Hood BAS GOT GD 24HM25 50 A1 | Hood revos basic made of aluminum, with double locking lever and threaded hole M25 on the right side, low version, 24-poles |
| 73.355.6435.3 | Hood BAS GOT GD 24HM25 A3 | Hood revos basic made of aluminum, with double locking lever and trumpet gland M25 on the right side (IP54), low version, 24-poles |
| 73.357.6435.0 | Hood BAS GOT GF 24HM25 50 A0 | Hood revos basic made of aluminum, with double locking lever and cable gland M25 on the top (IP54), low version, 24-poles |
| 73.357.6435.1 | Hood BAS GOT GF 24HM25 50 A1 | Hood revos basic made of aluminum, with double locking lever and threaded hole M25 on the top, low version, 24-poles |
| 73.358.6435.0 | Hood BAS GOT GD 24HM32 50 A0 | Hood revos basic made of aluminum, with double locking lever and cable gland M32 on the right side (IP54), low version, 24-poles |
| 73.358.6435.1 | Hood BAS GOT GD 24HM32 50 A1 | Hood revos basic made of aluminum, with double locking lever and threaded hole M32 on the right side, low version, 24-poles |
| 73.358.6435.3 | Hood BAS GOT GD 24HM32 A3 | Hood revos basic made of aluminum, with double locking lever and trumpet gland M32 on the right side (IP54), low version, 24-poles |
| 73.359.6435.0 | Hood BAS GOT GF 24HM32 50 A0 | Hood revos basic made of aluminum, with double locking lever and cable gland M32 on the top (IP54), low version, 24-poles |
| 73.359.6435.1 | Hood BAS GOT GF 24HM32 50 A1 | Hood revos basic made of aluminum, with double locking lever and threaded hole M32 on the top, low version, 24-poles |

| | | |
|---------------|------------------------------|--|
| 73.360.6435.0 | Hood BAS GOT GA 24HM40 A0 | Hood revos basic made of aluminum, for double locking lever or. screw cap with cable gland M40 on the right side (IP54), low version, 24-poles |
| 73.360.6435.1 | Hood BAS GOT GA 24HM40 50 A1 | Hood revos basic made of aluminum, for double locking lever or. screw cap with threaded hole M40 on the right side, low version, 24-poles |
| 73.362.6435.0 | Hood BAS GOT GC 24HM40 A0 | Hood revos basic made of aluminum, for double locking lever or. screw cap with cable gland M40 on the top (IP54), low version, 24-poles |
| 73.362.6435.1 | Hood BAS GOT GC 24HM40 50 A1 | Hood revos basic made of aluminum, for double locking lever or. screw cap with threaded hole M40 on the top, low version, 24-poles |
| 73.365.6435.1 | Hood BAS GOT GD 24HM40 A1 | Hood revos basic made of aluminum, with double locking lever and threaded hole M40 on the right side, low version, 24-poles |
| 73.367.6435.0 | Hood BAS GOT GF 24HM40 A0 | Hood revos basic made of aluminum, with double locking lever and cable gland M40 on the top (IP54), low version, 24-poles |
| 70.320.2428.0 | Bottom BAS GUT GA 24 A | Bottom-base revos basic made of aluminum, with double locking lever or.screw cap, low version, 24-poles |
| 70.325.2428.0 | Bottom BAS GUT GE 24 A | Bottom-base revos basic made of aluminum, for double locking lever and protective cover, open, low version, 24-poles |
| 70.330.2435.0 | Bottom BAS GUT GB 24 M25 A0 | Bottom-base revos basic made of aluminum, with double locking lever or.screw cap with cable gland M25 on the right and left side (IP54), low version, 24-polig |
| 70.330.2435.1 | Bottom BAS GUT GB 24 M25 A1 | Bottom-base revos basic made of aluminum, with double locking lever or.screw cap with threaded hole M25 on the right and left side, low version, 24-polig |
| 70.331.2435.0 | Bottom BAS GUT GC 24 M25 A0 | Bottom-base revos basic made of aluminum, with double locking lever or.screw cap with cable gland M25 on the left side (IP54), low version, 24-polig |
| 70.331.2435.1 | Bottom BAS GUT GC 24 M25 A1 | Bottom-base revos basic made of aluminum, with double locking lever or.screw cap with threaded hole M25 on the left side, low version, 24-polig |
| 70.333.2435.0 | Bottom BAS GUT GD 24 M25 A0 | Bottom-base revos basic made of aluminum, with double locking lever or.screw cap with cable gland M25 on the right side (IP54), low version, 24-polig |
| 70.333.2435.1 | Bottom BAS GUT GD 24 M25 A1 | Bottom-base revos basic made of aluminum, with double locking lever or.screw cap with threaded hole M25 on the right side, low version, 24-polig |
| 70.340.2435.0 | Bottom BAS GUT GF 24 M25 A0 | Bottom-base revos basic made of aluminum, for double locking lever withcable gland M25 on the left and right side, with protective cover (IP54), low version, 24-polig |
| 70.340.2435.1 | Bottom BAS GUT GF 24 M25 A1 | Bottom-base revos basic made of aluminum, for double locking lever withthreaded hole M25 on the left and right side, with protective cover, low version, 24-polig |
| 70.341.2435.0 | Bottom BAS GUT GG 24 M25 A0 | Bottom-base revos basic made of aluminum, with double locking lever andcable gland M25 on the left side, with protective cover (IP54), low version, 24-polig |
| 70.341.2435.1 | Bottom BAS GUT GG 24 M25 A1 | Bottom-base revos basic made of aluminum, with double locking lever andthreaded hole M25 on the left side, with protective cover, low version,24-polig |
| 70.342.2435.0 | Bottom BAS GUT GH 24 M25 A0 | Bottom-base revos basic made of aluminum, with double locking lever andcable gland M25 on the right side, with protective cover (IP54), low version, 24-polig |
| 70.342.2435.1 | Bottom BAS GUT GH 24 M25 A1 | Bottom-base revos basic made of aluminum, with double locking lever andthreaded hole M25 on the right side, with protective cover, low version, 24-polig |

| | | |
|---------------|----------------------------------|---|
| 70.343.2435.0 | Bottom BAS GUT GI 24 M25 A0 | Bottom-base revos basic made of aluminum, with double locking lever and cable gland M25 on the bottom, with protective cover (IP54), low version, 24-polig |
| 70.343.2435.1 | Bottom BAS GUT GI 24 M25 A1 | Bottom-base revos basic made of aluminum, with double locking lever and threaded hole M25 on the bottom, with protective cover, low version, 24-polig |
| 73.334.6435.0 | Bottom BAS GUT GB 24HM32 50 A0 | Bottom-base revos basic made of aluminum, with double locking lever or screw cap with cable gland M32 on the right and left side (IP54), low version, 24-polig |
| 73.334.6435.1 | Bottom BAS GUT GB 24HM32 50 A1 | Bottom-base revos basic made of aluminum, with double locking lever or screw cap with threaded hole M32 on the right and left side, low version, 24-polig |
| 73.335.6435.0 | Bottom BAS GUT GC 24HM32 50 A0 | Bottom-base revos basic made of aluminum, with double locking lever or screw cap with cable gland M32 on the left side (IP54), low version, 24-polig |
| 73.335.6435.1 | Bottom BAS GUT GC 24HM32 50 A1 | Bottom-base revos basic made of aluminum, with double locking lever or screw cap with threaded hole M32 on the left side, low version, 24-polig |
| 73.337.6435.0 | Bottom BAS GUT GD 24HM32 50 A0 | Bottom-base revos basic made of aluminum, with double locking lever or screw cap with cable gland M32 on the right side (IP54), low version, 24-polig |
| 73.337.6435.1 | Bottom BAS GUT GD 24HM32 50 A1 | Bottom-base revos basic made of aluminum, with double locking lever or screw cap with threaded hole M32 on the right side, low version, 24-polig |
| 73.338.6435.1 | Bottom BAS GUT GB 24H M40 A1 | Bottom-base revos basic made of aluminum, with double locking lever or screw cap with threaded hole M40 on the right and left side, low version, 24-polig |
| 73.339.6435.1 | Bottom BAS GUT GC 24H M40 A1 | Bottom-base revos basic made of aluminum, with double locking lever or screw cap with threaded hole M40 on the left side, low version, 24-polig |
| 73.344.6435.0 | Bottom BAS GUT GF 24HM32 50 A0 | Bottom-base revos basic made of aluminum, for double locking lever with cable gland M32 on the left and right side, with protective cover (IP54), low version, 24-polig |
| 73.344.6435.1 | Bottom BAS GUT GF 24HM32 50 A1 | Bottom-base revos basic made of aluminum, for double locking lever with threaded hole M32 on the left and right side, with protective cover, low version, 24-polig |
| 73.345.6435.0 | Bottom BAS GUT GG 24HM32 50 A0 | Bottom-base revos basic made of aluminum, with double locking lever and cable gland M32 on the left side, with protective cover (IP54), low version, 24-polig |
| 73.345.6435.1 | Bottom BAS GUT GG 24HM32 50 A1 | Bottom-base revos basic made of aluminum, with double locking lever and threaded hole M32 on the left side, with protective cover, low version, 24-polig |
| 73.346.6435.1 | Bottom BAS GUT GH 24HM32 50 A1 | Bottom-base revos basic made of aluminum, with double locking lever and threaded hole M32 on the right side, with protective cover, low version, 24-polig |
| 73.347.6435.0 | Bottom BAS GUT GI 24HM32 50 A0 | Bottom-base revos basic made of aluminum, with double locking lever and cable gland M32 on the bottom, with protective cover (IP54), low version, 24-polig |
| 70.353.2445.1 | Hood BAS GOE GA 24 M32 50 A1 | Hood-EMV revos basic made of aluminum, for double locking lever or screw cap with threaded hole M32 on the right side, low version, 24-poles |
| 70.320.2438.0 | Bottom BAS GUE GA 24 50 A | Bottom-base-EMV revos basic made of aluminum, with double locking lever, open, low version, 24-poles |
| 72.216.1253.0 | Male insert POW STS 4/8 NL BB AG | |
| 70.357.2435.3 | Hood BAS GOT GF 24 M25 A3 | Hood revos basic made of aluminum, with double locking lever and trumpet gland M25 on the top (IP54), low version, 24-poles |

These dimensions will be especially checked at delivery
 Only inspection dimensions
 With ±E marked dimensions are only valid for internal use

Diese Maße werden bei Abnahme besonders geprüft
 Ausschließliche Prüfmaße
 Mit ±E gekennzeichnete Maße sind nur für interne Zwecke gültig



| | |
|--------------------------------|----------------------|
| 72.206.1253.0 | POW BUS 4/8 NL BB AG |
| Bestellnummer /Order number | Typ /Type |

Weitere Daten siehe KATALOG oder eKatalog.
 Additional data see CATALOG or eCatalog.

www.wieland-electric.com
eshop.wieland-electric.com

| | | | |
|---|-------------------------------|---|--|
| Tolerierung Size ISO 14405 (E)/Tolerance system Size ISO 14405 (E). (This ISO-standard describes the envelope principle. According to the envelope principle the deviations of form and parallelism are limited by the size tolerances). | | ja/yes <input checked="" type="checkbox"/> Stoffverbots- und Deklarationsliste nach UU-TQM-05/03 ist einzuhalten. Conformity with Wieland document UU-TQM-05/03 (list of prohibited / declarable hazardous substances) to be declared! | |
| Freitoleranz nach DIN ISO 2768 - m General tolerance | | CAD - Zeichnung, keine manuellen Änderungen CAD - drawing, no manual modifications allowed | 1. Verwendung: - First Use: |
| Blatt: 1 von 1 Sheet: 1 of 1 | | Zeichnung Nr./Drawing No. | |
| 72.206.1253.0 13K | | Index | |
| Maße in mm/Dimensions are in mm | | | |
| Vol. mm ³ Ofl./Surf. mm ² | | Ersatz für/Replacement for: - | |
| www.wieland-electric.com | | Type POW BUS | Benennung/Titel BUCHSENE INSATZ 4/8 Schraubanschluss female insert 4/8 screw connection |
| Index | Datum / Blatt Date / Sheet | | |
| Änderung/Revision | | | |

Weitergabe sowie Vervielfältigung dieses Dokuments, Verwertung und Mitteilung seines Inhalts sind verboten, soweit nicht ausdrücklich gestattet.
 The reproduction, distribution and utilization of this document as well as the communication of its contents to others without express authorization is prohibited.

722061253013K_2 CADW3028 Treschan 2014-02-25T13:10:37 1.000