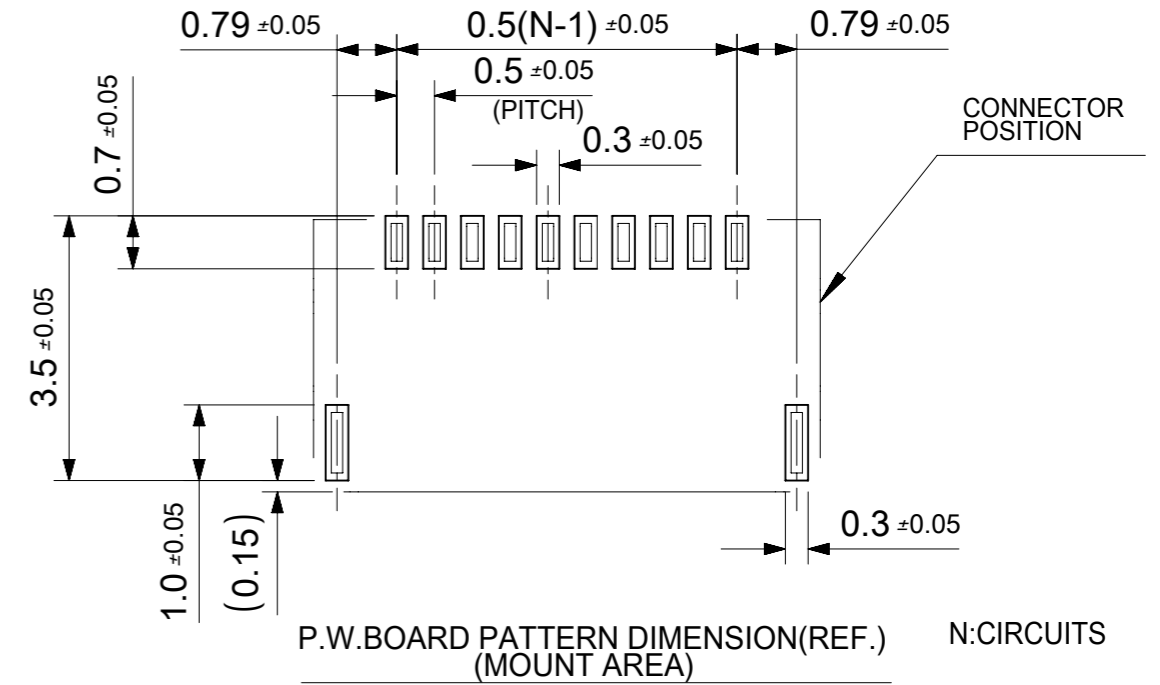
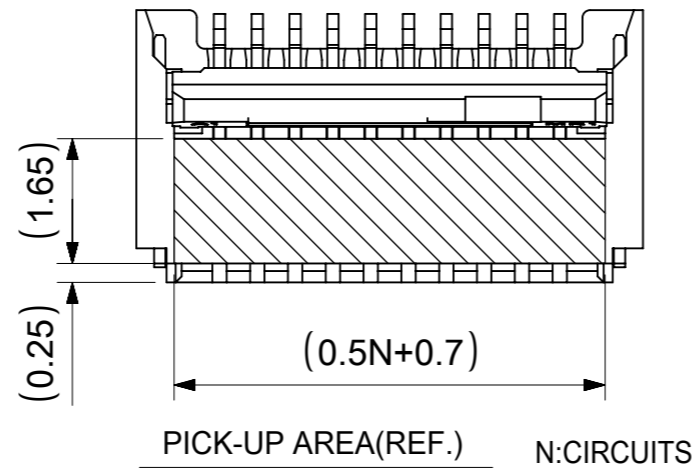
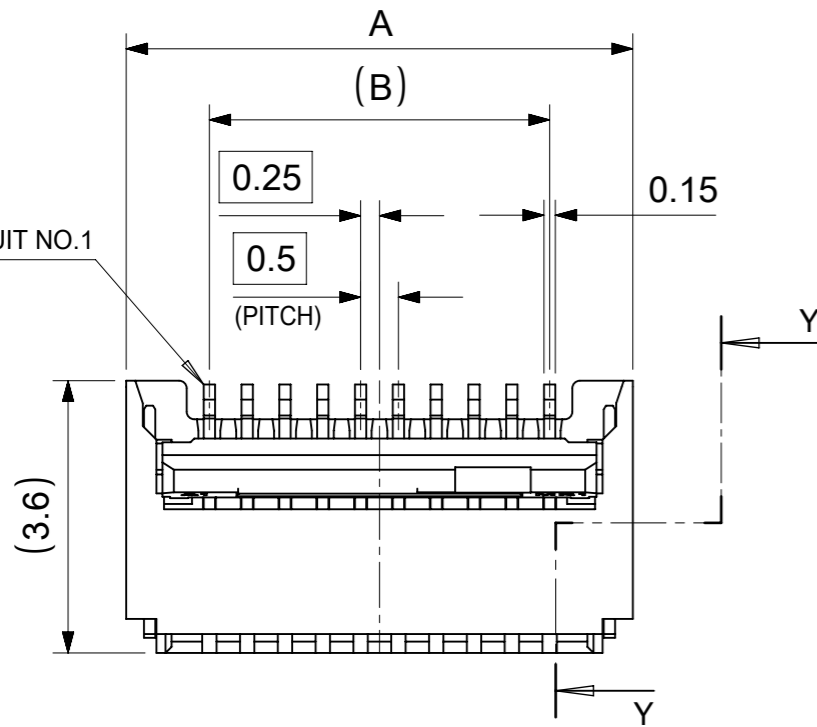
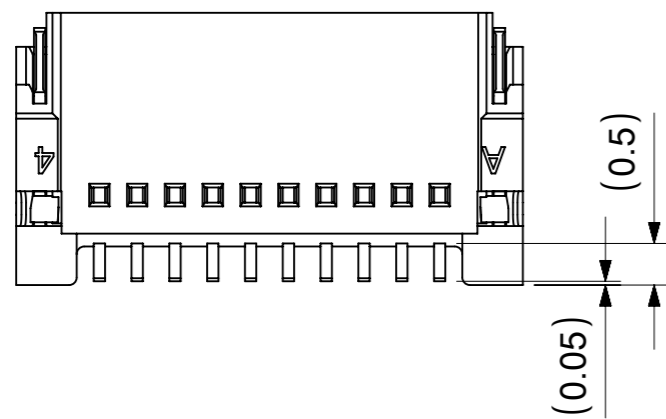
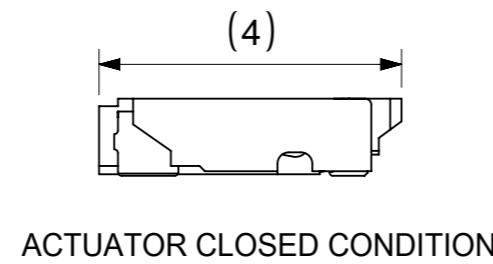
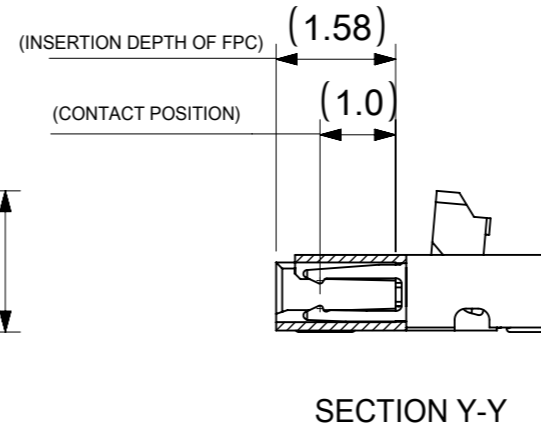
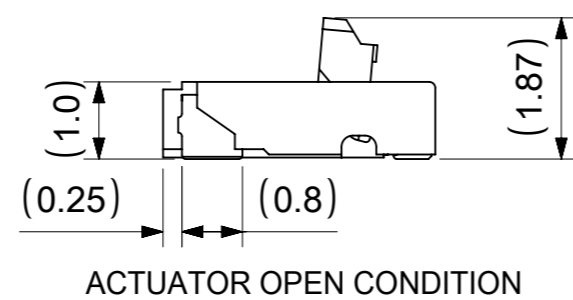
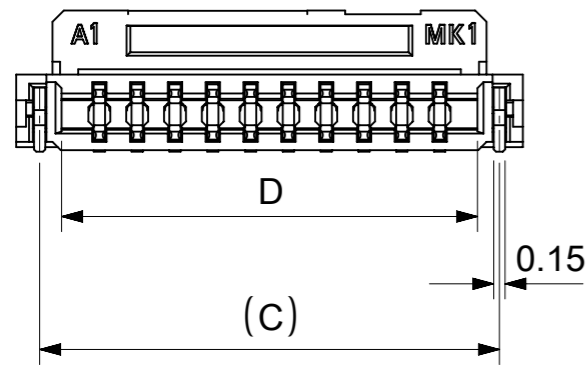


CIRCUIT NO.1



METAL MASK THICKNESS : 0.1mm  
 OPENING AREA : TERM.(0.7X0.3)  
 NAIL(1.0X0.3)



20.5	21.08	19.5	21.7	503480-4000	40
19.5	20.08	18.5	20.7	503480-3800	38
18.5	19.08	17.5	19.7	503480-3600	36
17.5	18.08	16.5	18.7	503480-3400	34
16.5	17.08	15.5	17.7	503480-3200	32
15.5	16.08	14.5	16.7	503480-3000	30
14.5	15.08	13.5	15.7	503480-2800	28
13.5	14.08	12.5	14.7	503480-2600	26
12.5	13.08	11.5	13.7	503480-2400	24
11.5	12.08	10.5	12.7	503480-2200	22
10.5	11.08	9.5	11.7	503480-2000	20
9.5	10.08	8.5	10.7	503480-1800	18
9.0	9.58	8.0	10.2	503480-1700	17
8.5	9.08	7.5	9.7	503480-1600	16
7.5	8.08	6.5	8.7	503480-1400	14
6.5	7.08	5.5	7.7	503480-1200	12
5.5	6.08	4.5	6.7	503480-1000	10
4.5	5.08	3.5	5.7	503480-0800	8
3.5	4.08	2.5	4.7	503480-0600	6
3.0	3.58	2.0	4.2	503480-0500	5
2.5	3.08	1.5	3.7	503480-0400	4
D	C	B	A	EMBOSSED PACKAGE ORDER NO.	CIRCUIT

CONNECTOR SERIES No. 503480-\*\*09

SYMBOLS DIMENSION UNITS SCALE mm 10:1 GENERAL TOLERANCES (UNLESS SPECIFIED) ANGULAR TOL ± 1.0° 4 PLACES ± 3 PLACES ± 0.2 2 PLACES ± 0.25 1 PLACE ± 0.3 0 PLACES ± DRAFT WHERE APPLICABLE MUST REMAIN WITHIN DIMENSIONS	THIS DRAWING CONTAINS INFORMATION THAT IS PROPRIETARY TO MOLEX ELECTRONIC TECHNOLOGIES, LLC AND SHOULD NOT BE USED WITHOUT WRITTEN PERMISSION CURRENT REV DESC:				
	EC NO: 637378 DRWN: YRKIM 2019/10/01 CHK'D: SHCHU 2020/05/12 APPR: SHCHU 2020/06/04				0.5 FPC CONN. E/O BACKFLIP H=1.0MM ASSEMBLY
INITIAL REVISION: DRWN: THIRAYAMA 2009/12/11 APPR: KMORIKAWA 2009/12/14		PRODUCT CUSTOMER DRAWING		DOCUMENT NUMBER SD-503480-001	
THIRD ANGLE PROJECTION 		DRAWING A3-SIZE		DOC TYPE DOC PART REVISION PSD 001 H1	
MATERIAL NUMBER SEE CHART		SERIES 503480		CUSTOMER GENERAL MARKET	
SHEET NUMBER 1 OF 2					

**NOTES**

**1. PART COMPOSITION**

HOUSING MATERIAL: LIQUID CRYSTAL POLYMER(LCP), GLASS FILLED, UL94V-0, NATURAL(WHITE)

TERMINAL MATERIAL: PHOSPHOR BRONZE

CONTACT AREA : SEPARATED GOLD PLATING (0.1 MICROMETER MINIMUM)

SOLDER TAIL AREA : SEPARATED GOLD PLATING

UNDERPLATE : NICKEL OVERALL (1.0 MICROMETER MINIMUM)

ACTUATOR MATERIAL : POLYAMIDE(PA), GLASS FILLED, UL94 HB, BLACK

NAIL MATERIAL: PHOSPHOR BRONZE

SOLDER TAIL AREA : TIN OVERALL(1.0 MICROMETER MINIMUM)  
UNDERPLATE : NICKEL OVERALL(1.0 MICROMETER MINIMUM)

2. PLEASE DO NOT OPERATE THE ACTUATOR BEFORE MOUNTING.

3. PLEASE OPERATE THE ACTUATOR AFTER INSERTING THE FPC INTO THE CONNECTOR.

**4. ABOUT FPC**

RECOMMENDED STIFFENER MATERIAL: POLYIMIDE

RECOMMENDED BASE FILM THICKNESS: 25 MICROMETER

RECOMMENDED ADHESIVE: THERMOSETTING ADHESIVE

NOTE: PLEASE PUT APPROPRIATE AMOUNT OF ADHESIVE ON ADHEREND BECAUSE THERE IS A POSSIBILITY THAT THE EXTRA ADHESIVE CAUSES THE DEFECT IN ELECTRICAL CONTINUITY.

RECOMMENDED PUNCHER DIRECTION:

FROM CONDUCTOR SIDE TO STIFFENER FILM SIDE.

RECOMMENDED CONDUCTOR SPECIFICATION:

THICKNESS OF SOFT COPPER FOIL: 35MICROMETER

5. R0.3 MUST NOT BE OVERLAPPED TO PATTERN OF FPC.

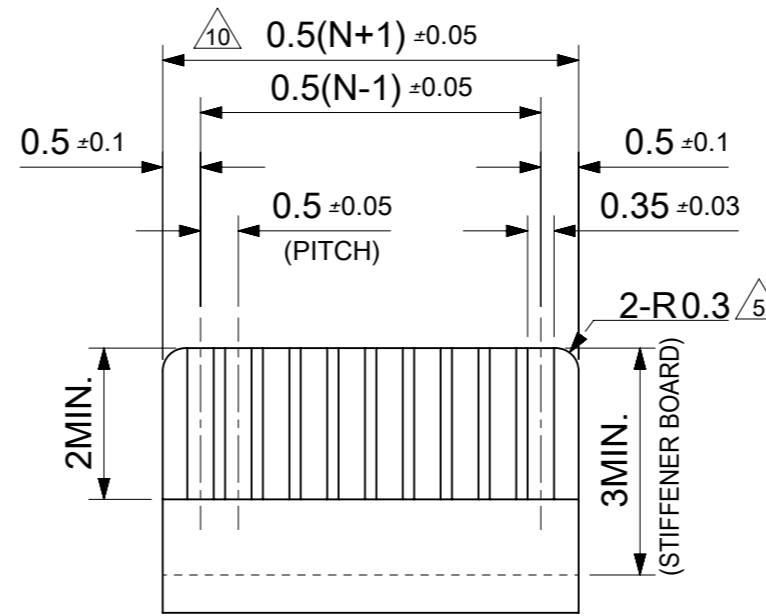
6. COPLANARITY : 0.1 MAXIMUM

7. PLEASE RECOGNIZE A POSSIBILITY TO CHANGE THE SHAPE OF THE PART THAT DOES NOT OBSTRUCT A FUNCTION, BY CIRCUMSTANCES IN OUR PRODUCTION.

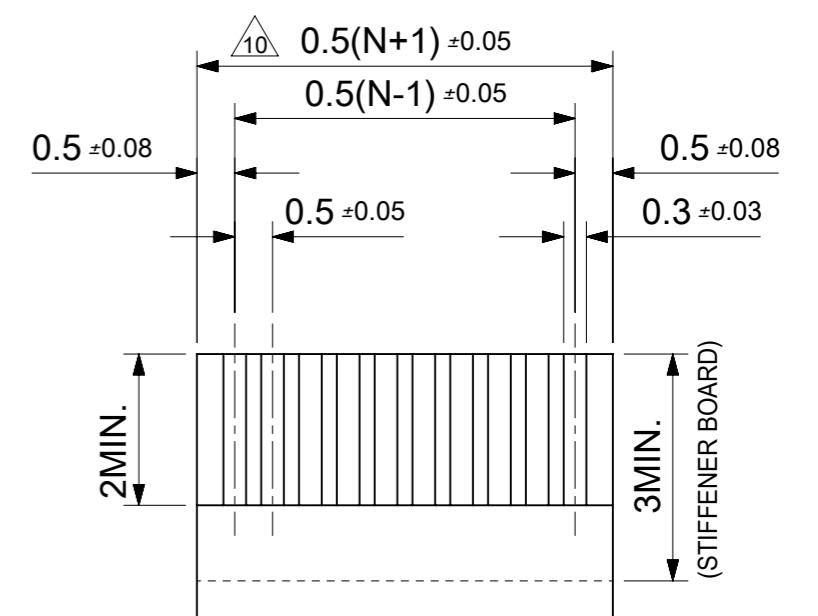
8. THIS PRODUCT IS DELIVERED WITH THE ACTUATOR IN THE OPEN POSITION.

9. THIS PRODUCT IS DUAL-CONTACT (TOP- AND BOTTOM-CONTACTS) TYPE CONNECTOR.

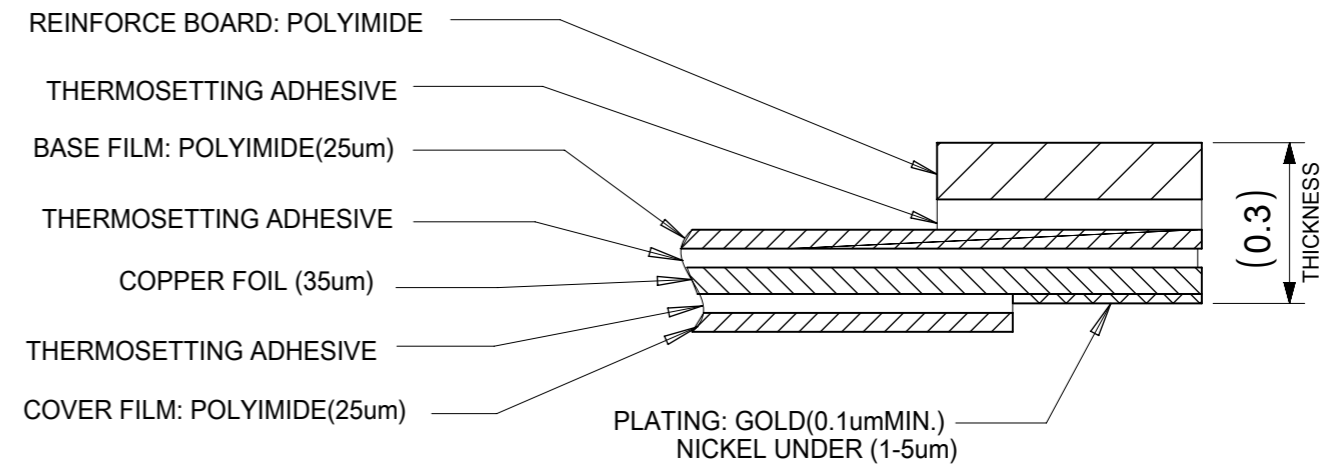
10. PLEASE CONFIRM TO INSERT FPC IN ADVANCE WHEN FPC WIDTH IS OVER  $0.5(N+1)+0.02$ .



APPLICABLE FPC RECOMMENDED DIMENSION N: CIRCUITS  
(THICKNESS : 0.3±0.05) : 30 OR LESS CIRCUITS  
(THICKNESS : 0.3±0.03) : 31 OR OVER CIRCUITS



APPLICABLE FFC RECOMMENDED DIMENSION N: CIRCUITS

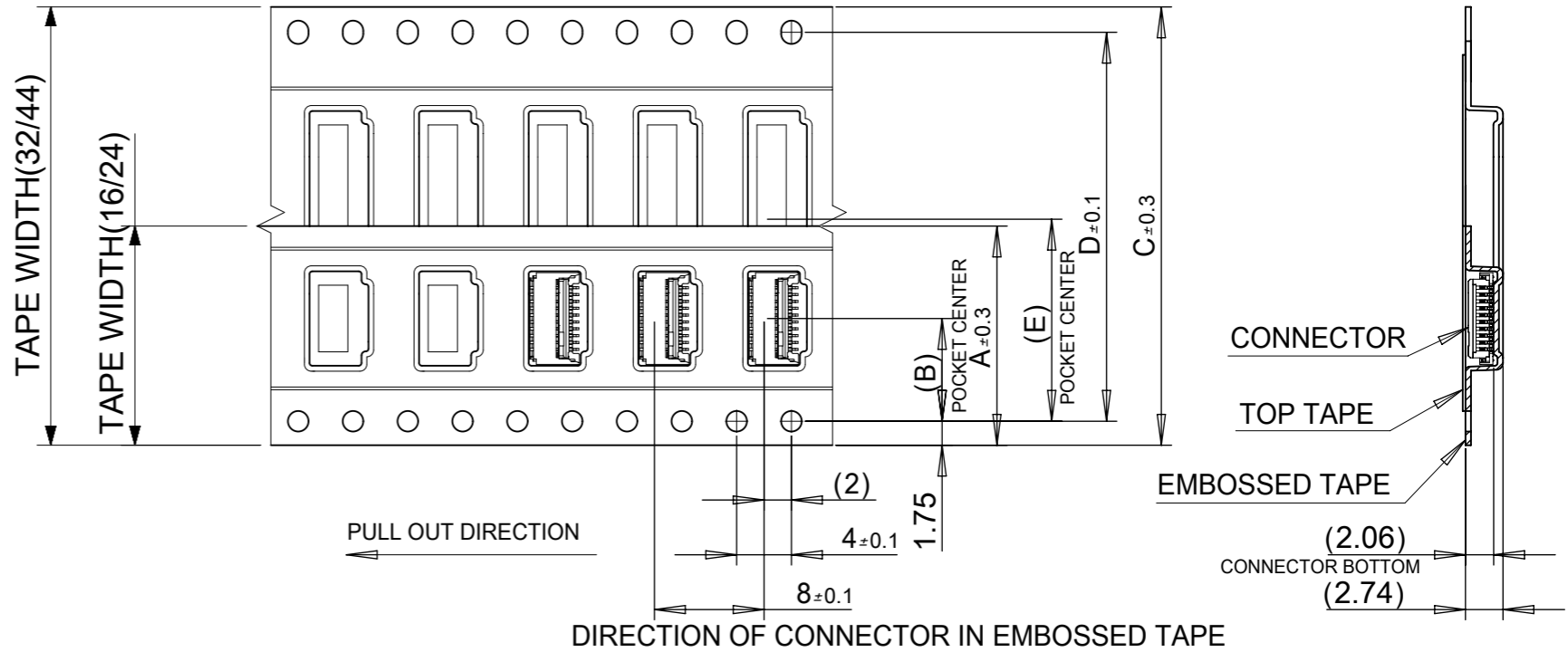
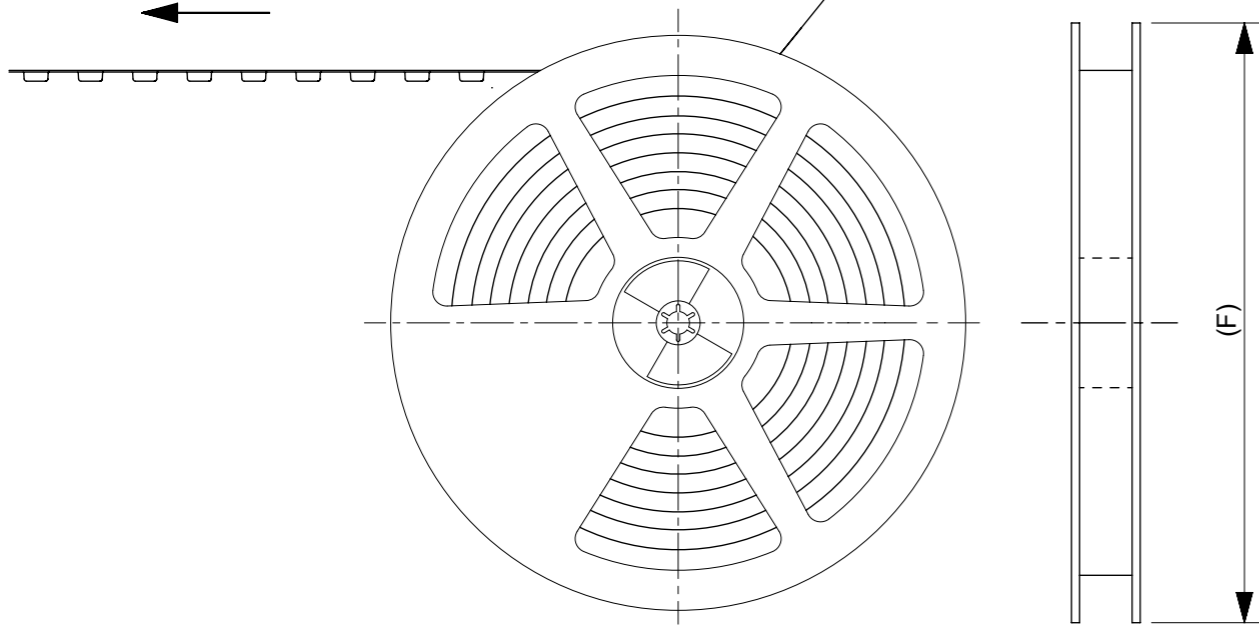


STRUCTURE OF FPC

SYMBOLS	THIS DRAWING CONTAINS INFORMATION THAT IS PROPRIETARY TO MOLEX ELECTRONIC TECHNOLOGIES, LLC AND SHOULD NOT BE USED WITHOUT WRITTEN PERMISSION		CURRENT REV DESC:			<b>molex</b>			
	DIMENSION UNITS	SCALE							
▽ = 0	mm	10:1	EC NO: 637378 DRWN: YRKIM 2019/10/01 CHK'D: SHCHU 2020/05/12 APPR: SHCHU 2020/06/04			0.5 FPC CONN. E/O BACKFLIP H=1.0MM ASSEMBLY			
▽ = 0	GENERAL TOLERANCES (UNLESS SPECIFIED)								
▽ = 0	ANGULAR TOL ± 1.0°					PRODUCT CUSTOMER DRAWING			
▽ = 0	4 PLACES	±							
▽ = 0	3 PLACES	± 0.2							
▽ = 0	2 PLACES	± 0.25	INITIAL REVISION: DRWN: THIRAYAMA 2009/12/11 APPR: KMORIKAWA 2009/12/14			DOCUMENT NUMBER	DOC TYPE	DOC PART	REVISION
▽ = 0	1 PLACE	± 0.3				SD-503480-001	PSD	001	H1
▽ = 0	0 PLACES	±	THIRD ANGLE PROJECTION			MATERIAL NUMBER	CUSTOMER		SHEET NUMBER
▽ = 0	DRAFT WHERE APPLICABLE MUST REMAIN WITHIN DIMENSIONS		DRAWING			SEE SHEET 1	GENERAL MARKET		2 OF 2
▽ = 0			SERIES			A3-SIZE	503480		

PULL OUT DIRECTION

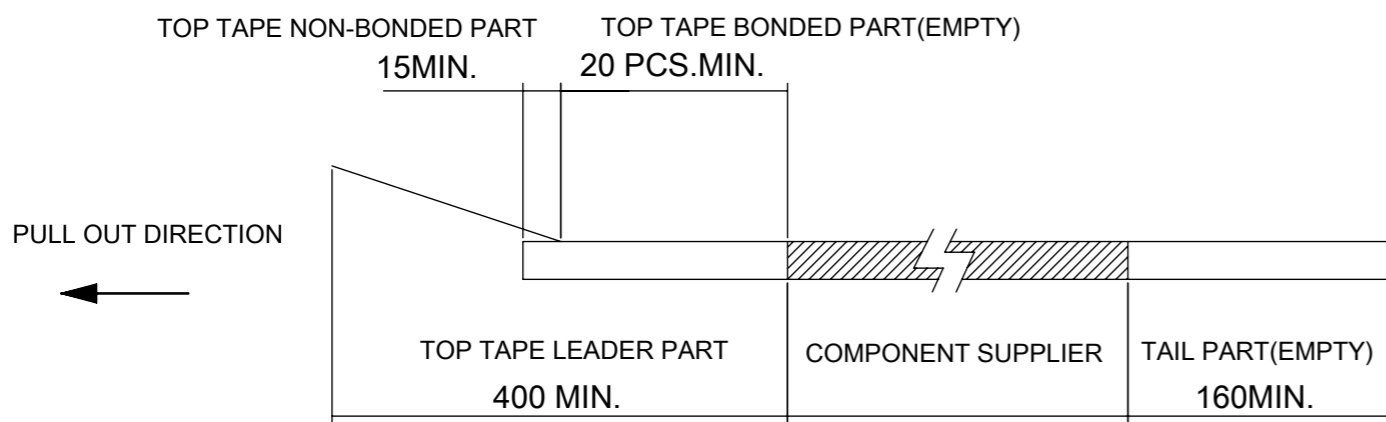
REEL



DIRECTION OF CONNECTOR IN EMBOSSED TAPE

NOTES

1. IN THE PACKAGE, PART NO.503480-\*\*09 DETAILED DIMENSIONS. REFER TO SD-503480-001
2. NUMBER OF CONNECTORS : 3000PCS/REEL
3. LEAD TAPE LENGTH



4. MATERIAL

CARRIER TAPE : PET  
 TOP TAPE : PET,OTHER  
 REEL : PS (RECYCLE MATERIAL CONTAINED)

5. COVER TAPE PEEL FORCE IS DEFINED BY IEC60286-3.

F	E	D	C	B	A	TAPE WIDTH	ORDER NO.	CIRCUIT
380	20.2	40.4	44	-	-	44	503480-4000	Ⓔ1 40
							503480-3800	Ⓔ1 38
							503480-3600	Ⓔ1 36
							503480-3400	Ⓔ1 34
330	14.2	28.4	32	-	-	32	503480-3200	32
							503480-3000	Ⓔ1 30
380	-	-	-	11.5	24	24	503480-2800	Ⓔ1 28
							503480-2600	26
							503480-2400	24
							503480-2200	22
							503480-2000	20
							503480-1800	18
							503480-1700	17
							503480-1600	16
							503480-1400	14
							503480-1200	12
330	-	-	-	7.5	16	16	503480-1000	10
							503480-0800	8
							503480-0600	6
							503480-0500	5
							503480-0400	4

SYMBOLS		THIS DRAWING CONTAINS INFORMATION THAT IS PROPRIETARY TO MOLEX ELECTRONIC TECHNOLOGIES, LLC AND SHOULD NOT BE USED WITHOUT WRITTEN PERMISSION		CURRENT REV DESC:		<b>molex</b>					
▽ = 0	mm	SCALE	2:1	EC NO: 637378							
▽ = 0	GENERAL TOLERANCES (UNLESS SPECIFIED)		DRWN: YRKIM		2019/10/01	0.5 FPC CONN. E/O EMBOSSSED TAPE PACKAGE					
▽ = 0	ANGULAR TOL ± 3.0°		CHK'D: SHCHU		2020/05/12						
▽ = 0	4 PLACES ± 0.2		APPR: SHCHU		2020/06/04	PRODUCT CUSTOMER DRAWING					
▽ = 0	3 PLACES ± 0.25		INITIAL REVISION:		DOCUMENT NUMBER		DOC TYPE	DOC PART	REVISION		
▽ = 0	2 PLACES ± 0.3		DRWN: THIRAYAMA		2009/12/11	SD-503480-002		PSD	001	E1	
▽ = 0	1 PLACE ±		APPR: KMORIKAWA		2009/12/14	MATERIAL NUMBER		CUSTOMER			
▽ = 0	0 PLACES ±		THIRD ANGLE PROJECTION		DRAWING		SERIES		MATERIAL NUMBER	CUSTOMER	SHEET NUMBER
▽ = 0	DRAFT WHERE APPLICABLE MUST REMAIN WITHIN DIMENSIONS		A3-SIZE		503480		SEE TABLE		GENERAL MARKET		1 OF 1