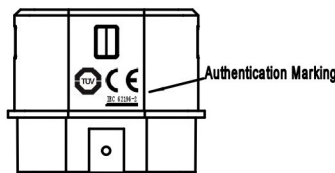
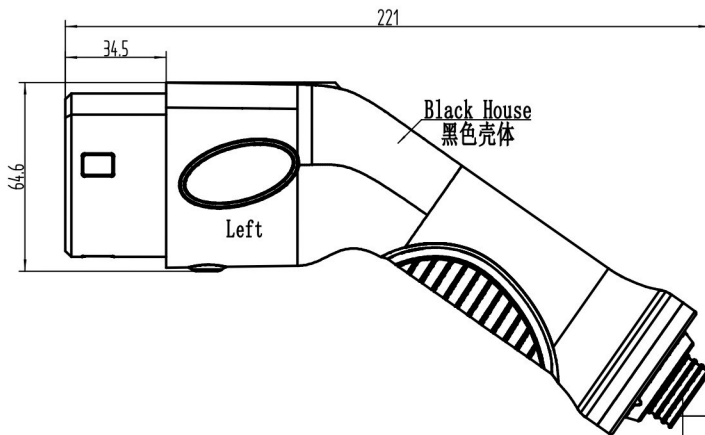
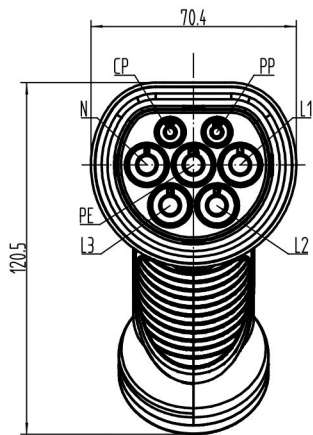


客户:



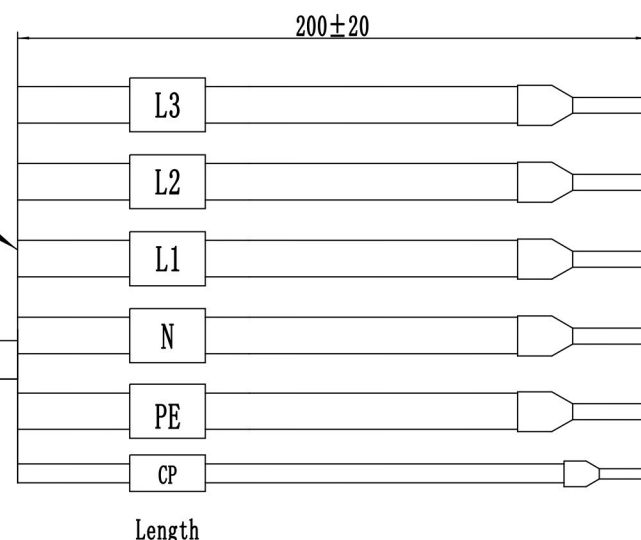
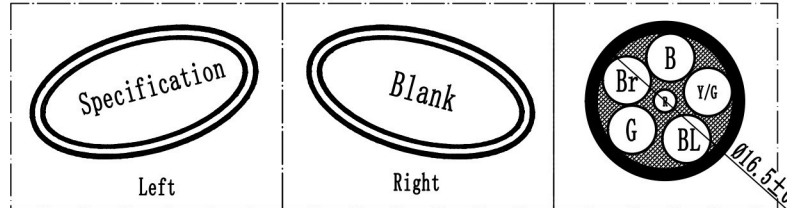
Vehicle Connector



Length	5M
TOL is ±0.05M	

EVO-IC-IEC-AC32-PV-3
AC 480V 32A

Vehicle Connector



Main Parameter:

- 1, Rated Current: 32A
- 2, Rated Voltage: 480V
- 3, Insulation Resistance: $\geq 500M\Omega$ (DC500V)
- 4, Withstand Voltage: 2500V
- 5, Contact Resistance: $0.5m\Omega$ Max
- 6, Plastic Fire Rating: UL94 V0
- 7, Mechanical Life: More than 10000 Times (No-Load Insertion and Extraction)
- 8, WaterProof; IP55(After Insertion), IP54(Before Insertion)
- 9, Working Environment: $-30^{\circ}C \sim +50^{\circ}C$

Spec	Terminal Model	Color	Vehicle Connector
6mm ²	E6012	Brown	L1
6mm ²	E6012	Black	L2
6mm ²	E6012	Gray	L3
6mm ²	E6012	Blue	N
6mm ²	E6012	Y/G	PE
0.75mm ²	E1010	Red	CP

The default is a white House, unless specified
Charging Vehicle Connector :Meet EN-62196-2 2017 Standard
Charging Cable: 5*6mm²+1*0.75mm² black TPU Cable

图样标记 DWG. SYM	S	投影标记 PROJ. SYM		名称 NAME	32A Vehicle Connector (Three-Phase)				
材料 MATL		重量 WEIGHT		图号 DRAW NO.	EVO-IC-IEC-AC32-PV-3	纸幅 SIZE	A4	比例 SCALE	
设计 DESIGNED	日期	审核 CHECK	日期	标准化 STD CHECKED	日期	品号 PART NO.		第 SHEET	共 OF
校对 CHECKED	日期	工艺 PROCESS	日期	批准 APPROVED	日期			张 SHEET	共 OF