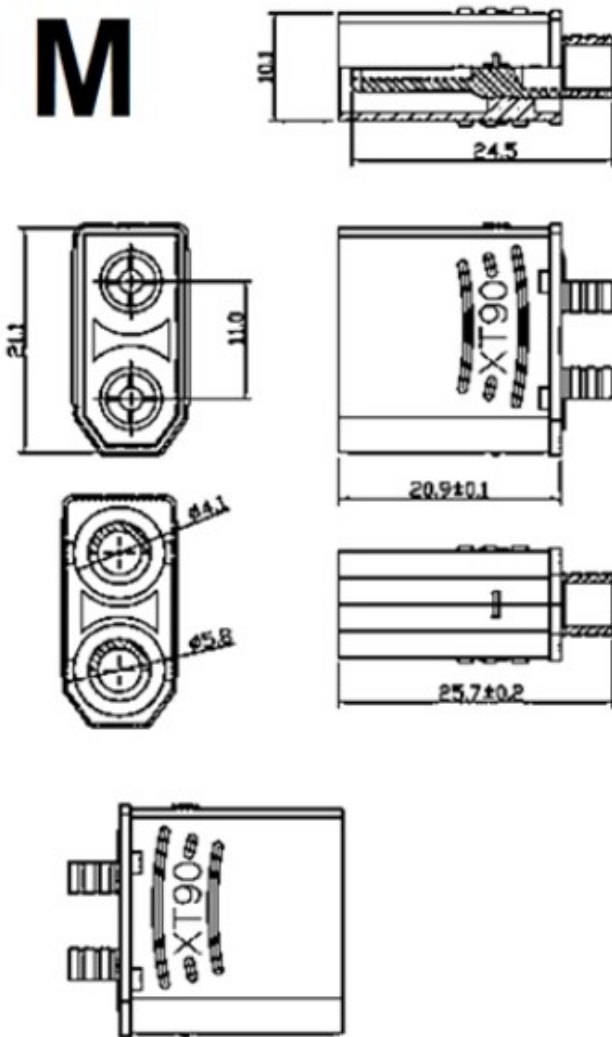
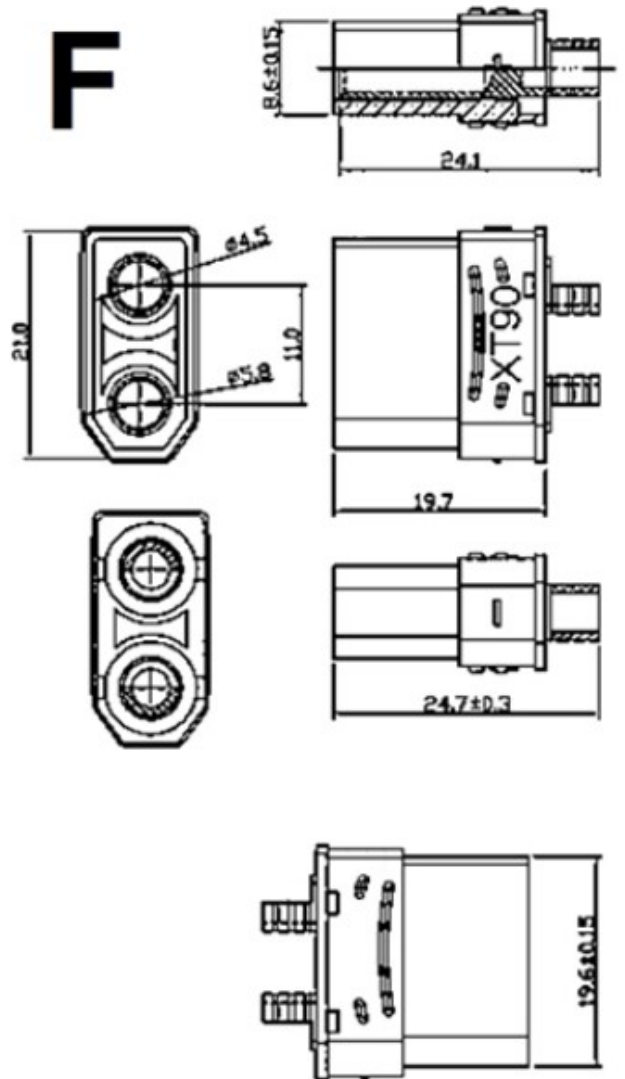


XT90 M+F

M



F



Product model: XT90 M+F
Instantaneous current: 90A
Rated current: 45A
Rated voltage: DC500V
Contact resistance: 0.3m ohm

Insulation material: PA
Working temperature: -20--120 degrees Celsius
Recommended wire gauge: 10AWG
Recommended use times: 1000TIMES
Flame retardant rating: UL94-V2