

## Data sheet

Commercial Art.No.: 92.030.4853.0

Distributor GST18i3V 3P1 F V WS

Distribution block GST18i3, 3 pole, 1 input, 3 outputs, with mounting option, 250 V, 20 A, colour of coding: white



Commercial Art.No.	92.030.4853.0
EAN	4015573437203
Order Unit	1

Certificates / Approvals



## Technical data

### General

Rated current	20 A
Rated voltage	250 V
Rated impulse voltage	4 kV
Pollution degree	2
Mechanical coding	Code 1
Lockable	self-locking (unlocking by tool)
Color of coding/ contact carrier	white
Marking of poles	L, N, PE

### Model

Number of inputs	1
Number of outputs	3
Type of fastening	yes
Degree of protection (IP)	IP20
Type of distributor	H-distributor

### Material

Housing material	Polyamide
halogen free	yes
Contact material	CuZn
Fire load	0.016 kWh
Insulation components continuous temperature	100 °C
Surface finish	Tin-plated

### Classification

ECLASS 11	
ECLASS 8.1	27440603
ETIM 7.0	EC002567
ETIM 6.0	EC002567
ETIM 5.0	EC002567
ETIM 4.0	EC002567

**Dimensions**

Length	44 mm
Width	52 mm
Height	35 mm

**Product compliance**

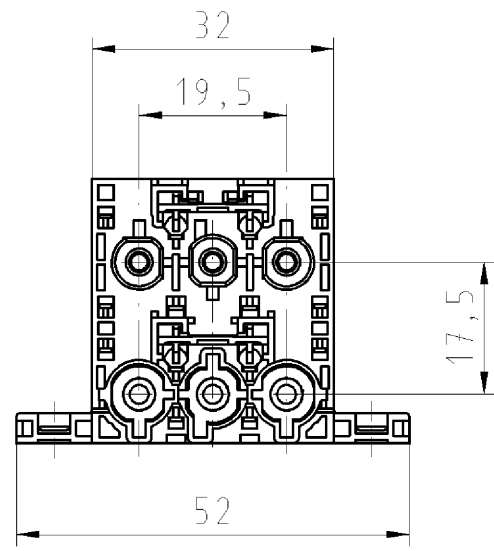
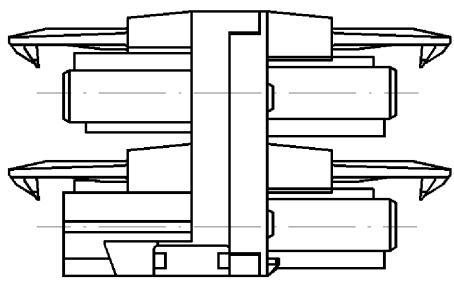
ROHS conformity status	Compliant/Exempted
ROHS exceptions	III-6(c)
REACH-SVHC conformity status	Duty-To-Declare
REACH-SVHC substances	Lead
REACH-SVHC CAS numbers	7439-92-1

**Accessories**

Commercial Art.No.:	Article-type description:	Description:
05.588.5753.0	Lock GST18 VERTEILER WS	Locking device for distributor GST18i3-5, retrofit part, white
05.588.5753.1	Locking slide GST18 VERTEILER SW	Locking device for distributor GST18i3-5, retrofit part, black
05.561.3653.0	cover cap GST18i3VS B WS	Cover piece for female GST18i3, white
05.561.3653.1	cover cap GST18i3VS B SW	Cover piece for female GST18i3, black
05.564.5353.0	cover cap GST18i3/4/5 SW	Cover piece 12 pole black for female parts GST18i3-6
05.564.5353.2	cover cap GST18i3/4/5 WS	Cover piece 12 pole white for female parts GST18i3-6
05.594.4250.0	cover cap ST18/3B + GST18i3 ST WS	
05.594.4253.0	cover cap ST18/3B + GST18i3 ST WS	

A

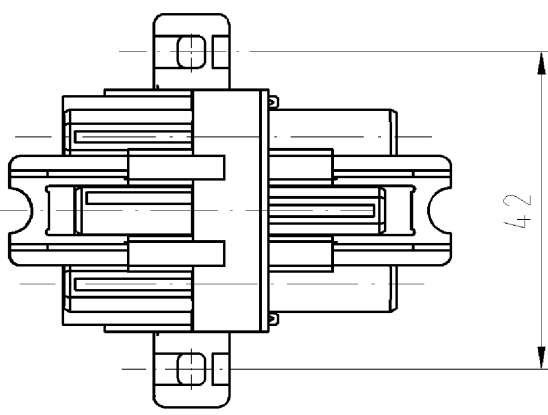
These dimensions will be especially checked at delivery  
 Only inspection dimensions  
 With /E marked dimensions are only valid for internal use



B

C

Diese Maße werden bei Abnahme besonders geprüft  
 Ausschließlich Prüfmaße  
 Mit /E gekennzeichnete Maße sind nur für interne Zwecke gültig



D

Weitere Daten siehe Katalog  
 further data see catalog

Teilenummer/part-nr.	Type/type	Farbe/colour
92.030.4853.0	GST18I3V 3P1 F WS	weiß/white
92.030.4853.1	GST18I3V 3P1 F SW	schwarz/black

E

Tolerierung nach DIN 7167/Tolerance system acc. to DIN 7167.  
 (This DIN-standard describes the envelope principle. According to the envelope principle the deviations of form and parallelism are limited by the size tolerances).  
 ja/yes  Stoffverbots- und Deklarationsliste nach UU-TQM-05/03 ist einzuhalten.  
 Conformity with Wieland document UU-TQM-05/03 (list of prohibited / declarable hazardous substances) to be declared!

Freitoleranz nach - General tolerance CAD - Zeichnung, keine manuellen Änderungen CAD - drawing, no manual modifications allowed 1.Verwendung: - First Use: Blatt: 1 von 1 Sheet: 1 of 1

F

Index	Datum / Blatt Date / Sheet		Werkstoff/Material 2007 Tag/Date gezeichnet/drawn 17.04. Name Schmitt J. geprüft/checked Normgepr. Stand./check	Zeichnung Nr./Drawing No. T 92.030.4853.0 01K	Index
Änderung/Revision		Vol. mm <sup>3</sup> Of1./Surf. mm <sup>2</sup>	Ersatz für/Replacement for: -		
Elektrische Verbindungen		Type Benennung/Tittle distribution block VERTEILER mit Anschraubflansch/ with locking flange mit Verriegelung/ with interlocking			

1 2 3 4 5 6 7 8 9 10 11 12 13 14 15 16 17 18 19 20 M1 M2 M3 L G i 11.1 12.1 1.1 1.000 920304853001K\_4 CADW1042 Schmitt 2007-04-18T07:59:49

Weitergabe sowie Vervielfältigung dieses Dokuments, Verwertung und Mitteilung seines Inhalts sind verboten, soweit nicht ausdrücklich gestattet. Die Reproduktion, Distribution und Utilization of this document as well as the communication of its contents to others without express authorization is prohibited.