

## 2.0A GLASS PASSIVATED BRIDGE RECTIFIER

REVERSE VOLTAGE - **50 to 1000Volts**

FORWARD CURRENT - **2.0Amperes**

Package: **WOB**

### FEATURES

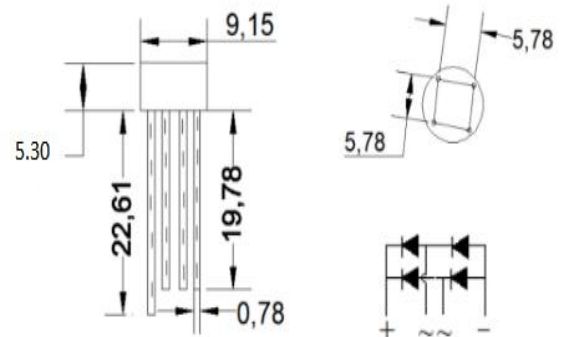
- Glass passivated chip
- High surge current capability
- Case: plastic package
- Marking / Polarity: Marked on Body
- Weight: About 1.2 grams

### MAXIMUM RATINGS AND ELECTRICAL CHARACTERISTICS

Rating at 25°C ambient temperature unless otherwise specified.

Single phase, half wave ,60Hz, resistive or inductive load.

For capacitive load, derate current by 20%



Dimensions in millimeters

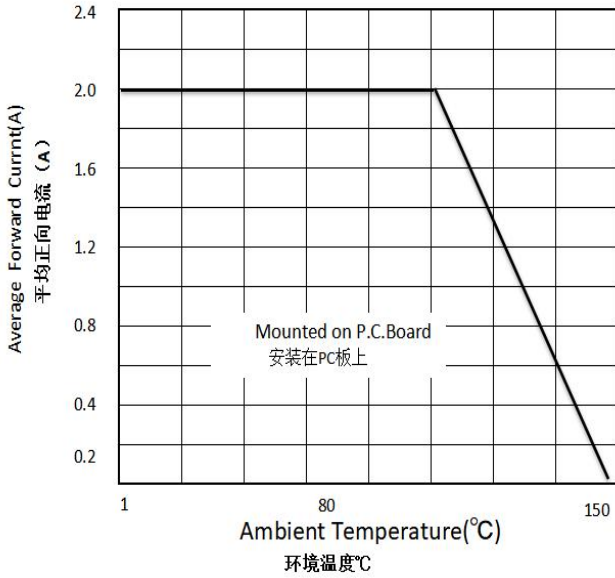
CHARACTERISTICS	SYMBOL	2W005	2W01	2W02	2W04	2W06	2W08	2W10	UNIT
Marking		2W005	2W01	2W02	2W04	2W06	2W08	2W10	
Maximum Recurrent Peak Reverse Voltage	$V_{RRM}$	50	100	200	400	600	800	1000	V
Maximum RMS Bridge Input Voltage	$V_{RMS}$	35	70	140	280	420	560	700	V
Maximum DC Blocking Voltage	$V_{DC}$	50	100	200	400	600	800	1000	V
Average Forward Output Rectified Current@ $T_a = 50^\circ C$	$I_{(AV)}$	2							A
Peak Forward Surge Current 8.3ms Single Half Sine-wave superimposed on rated load	$I_{FSM}$	45							A
Forward Voltage Per Leg @ $I_{FM} = 2A$	$V_F$	1.0							V
Maximum DC reverse current at rated $T_a = 25^\circ C$ DC blocking voltage per leg $T_a = 125^\circ C$	$I_R$	5 500							$\mu A$
Maximum thermal resistance per leg		32							$^\circ C/W$
Operating Temperature Range $T_J$	$T_J$	-55 ~ 150							$^\circ C$
Operating Temperature Range $T_{STG}$	$T_{STG}$	-55 ~ 150							$^\circ C$

NOTES: 1.Measured at 1.0MHz and applied reverse voltage of 4.0 volts.

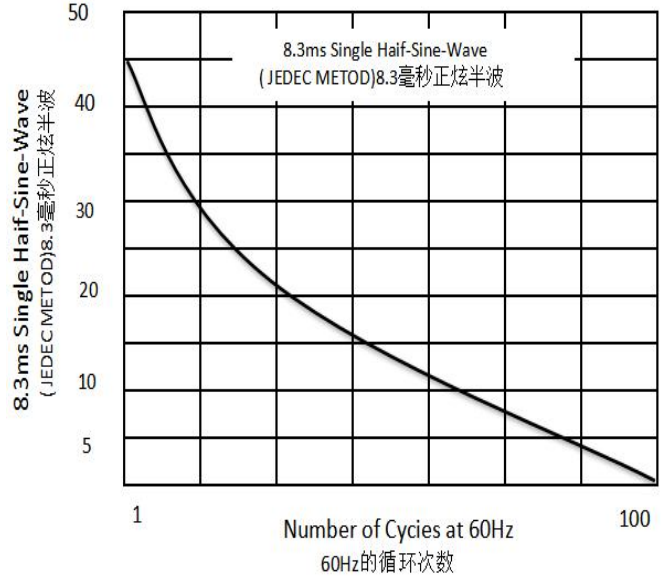
**2.0A GLASS PASSIVATED BRIDGE RECTIFIER**

**RATINGS AND CHARACTERISTIC CURVES**

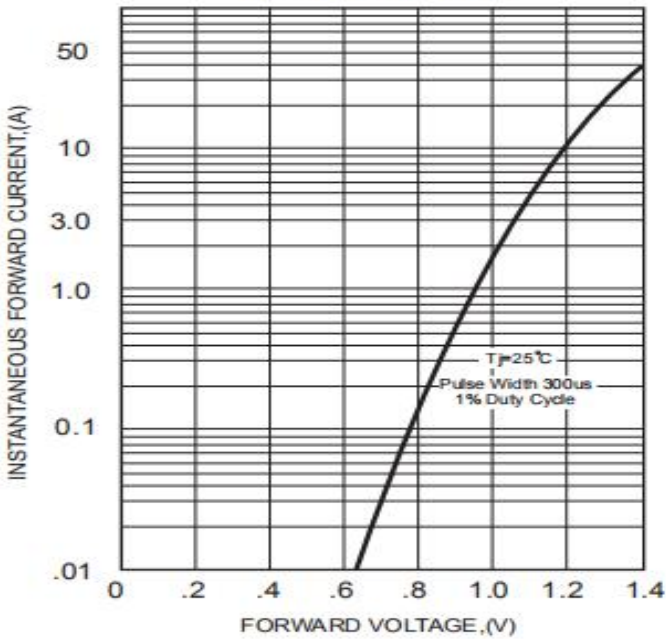
**Fig 1-forwardCurrent derating Curve**  
图1正向电流降额曲线



**Fig.2-Maximum Non-Repetitive Surge Current**  
图2 最大不重复正向浪涌曲线



**FIG.3-TYPICAL FORWARD CHARACTERISTICS**



**FIG.4-TYPICAL REVERSE CHARACTERISTICS**

