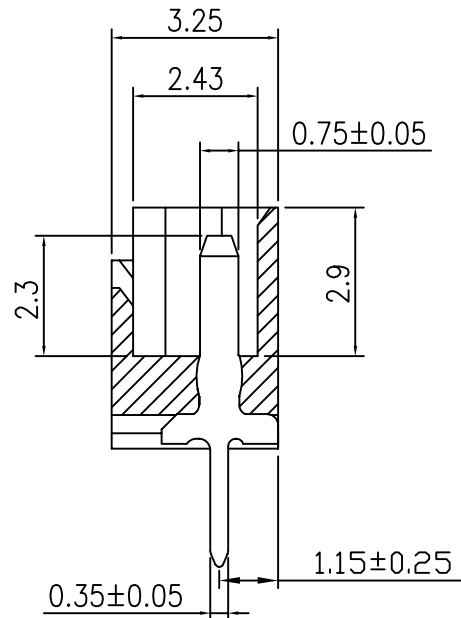
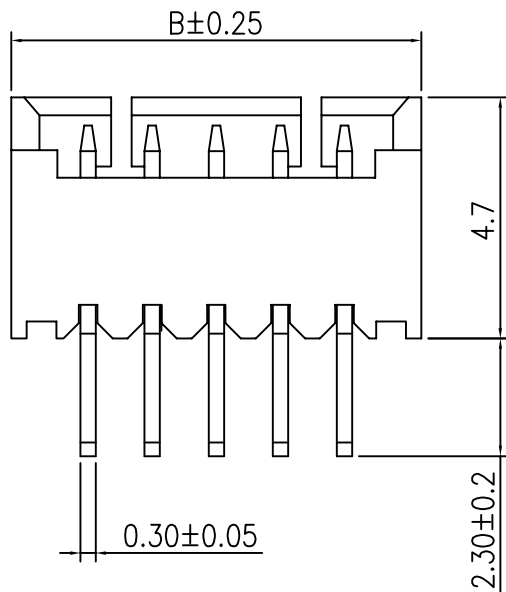


Recommand PCB Layout



■ SPECIFICATIONS

- Voltage Rating: 250V AC/DC
- Current Rating: 1A, AC/DC
- Withstanding Voltage: 250V AC/minute
- Insulation Resistance: 100M Ω min
- Temperature Range: $-40^{\circ}\text{C} \sim +85^{\circ}\text{C}$
- Contact Resistance: 20m Ω max

■ WAFER

- Part No.: 125G1-DVXX
- Poles: 2-15
- Material: Contact: Brass, Tin Plated
Base: PA46 UL94V-0
- Q'ty: 1,000pcs/PVC Box

Poles	Part No.	Dimension(mm)		
		A	B	C
2	125G1-DV02	1.25	4.25	3.05
3	125G1-DV03	2.50	5.50	4.30
4	125G1-DV04	3.75	6.75	5.55
5	125G1-DV05	5.00	8.00	6.80
6	125G1-DV06	6.25	9.25	8.05
7	125G1-DV07	7.50	10.50	9.30
8	125G1-DV08	8.75	11.75	10.55
9	125G1-DV09	10.00	13.00	11.80
10	125G1-DV10	11.25	14.25	13.05
11	125G1-DV11	12.50	15.50	14.30
12	125G1-DV12	13.75	16.75	15.55
13	125G1-DV13	15.00	18.00	16.80
14	125G1-DV14	16.25	19.25	18.05
15	125G1-DV15	17.50	20.50	19.30

Rev	Description/Date	Drawn By: Storm.li
△		Checked By: Simmon
△		Approved By: Tony

Customer:	
Part No.:	125G1-DVXX
Title:	1.25mm Wire to Board DIP 180° Type

Third angle projection		X.± .X±0.30 .XX±0.20 .XXX±0.10
General Dimension Tolerance	Units: mm	

SGS Report No.: CE/2005/53726D