



宁波速普电子有限公司

NINGBO SUPPU ELECTRONICS.CO.,LTD

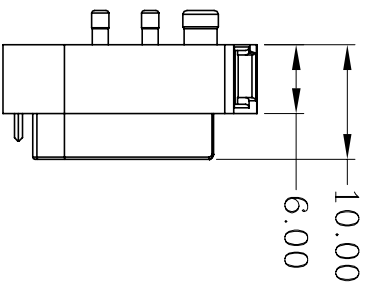
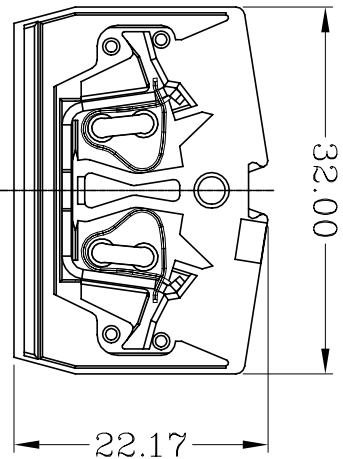
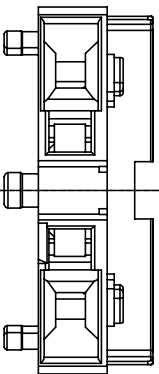
产品规格书

Product Specification

IEC 额定数据 / IEC Rated data

接线范围/Wire range	0.2-2.5mm ²		
单股导线/Solid	0.2-2.5mm ²		
软导线/Stranded	0.2-2.5mm ²		
带端头软导线/Stranded with ferrules without plastic sleeve	0.2-1.5mm ²		
带预绝缘端头软导线/Stranded with ferrules with plastic sleeve	0.2-1.5mm ²		
剥线长度/Strip length	8-9mm		
额定电压/Rated voltage	800V		
额定电流/Rated current	24A		
额定脉冲耐受电压/Rated surge voltage	8KV		
污染等级/Pollution degree	3		
过电压类别/Surge voltage category	III		
UL 额定数据/UL Rated data	B	C	D
额定电流/Rated current	20A	20A	—
额定电压/Rated voltage	600V	600V	—
接线范围/Wire range	28-12AWG		
其他信息/Other information			
塑件/Housing	PA66		
触点材料/Contact	铜合金/Copper alloy		
镀层/Coating	锡/Tin Plated		
阻燃等级/Flame retardant rating	UL94-V0		
使用环境温度/Usage ambient temperature	-40℃ - +105℃		

认证/Approval



订货信息 Order Info

订货号 PART NUMBER	颜色 COLOR	未标注公差参照GB/T14486														
254321	灰色 Gray	基本尺寸 公差	0-3 ±0.08	3-6 ±0.09	>6-10 ±0.10	>10-14 ±0.12	>14-18 ±0.14	>18-24 ±0.16	>24-30 ±0.18	>30-40 ±0.21	>40-50 ±0.24	>50-65 ±0.28	>65-80 ±0.32	>80-100 ±0.36	>100-120 ±0.41	>120-140 ±0.46

	Rev. 01	Name
单位/Unit	mm	254321系列正面接线中间端子 254321 series through middle terminal blocks of front-entry