

REVISION RECORD				
REV	ECN	DESCRIPTION	DRFT	DATE

NOTES1:

UL Standard

1. Rated voltage/current : 300V / 8A
2. Withstanding voltage : AC1600V/1Min.
3. Torque value : M2 , 1.77Lb.in
4. Wire range : 28~16AWG

IEC Standard

1. Pollution degree	2
Overvoltage category	II
Rate impulse voltage(KV)	4.0KV
Rate voltage(V)	450V
Rate current(A)	7A

2. Torque value : M2 , 0.2N·m
3. Wire range : 0.5~1.5mm<sup>2</sup>

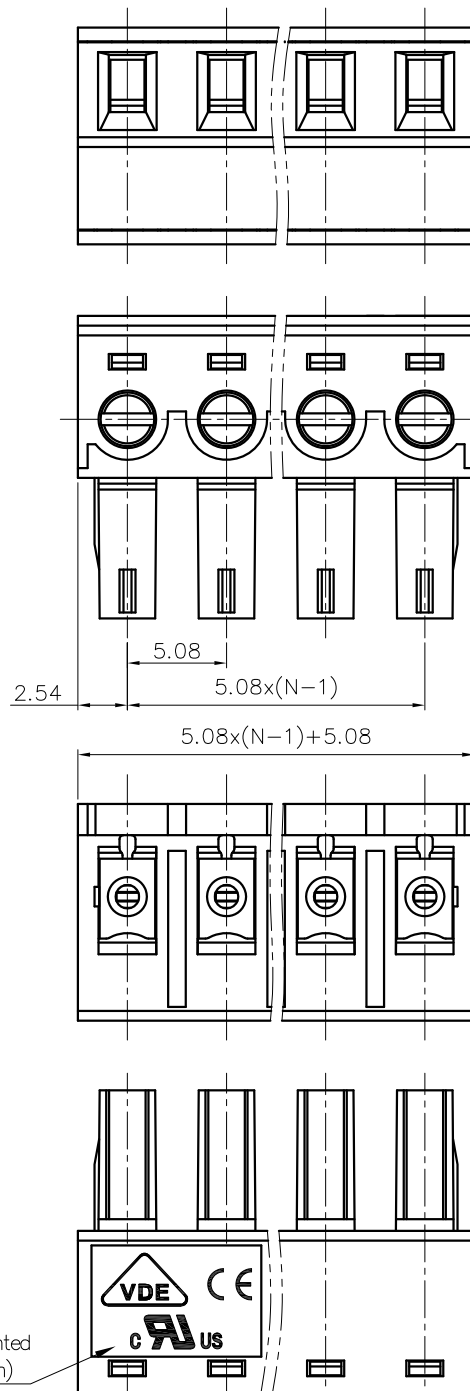
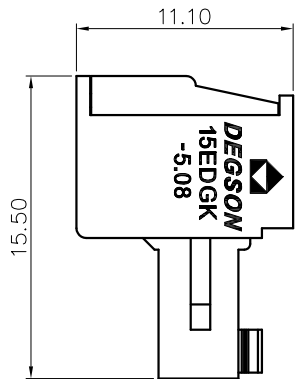
NOTES2:

1. Dimension shall be interpreted per ASME Y14.5-2009
2. Pitch : 5.08mm, Poles : N=02~12P
3. Stripping length : 6~7mm
4. Operating temperature: -40°C~+105°C
5. Undimensioned tolerances:

Pitch range in mm		Nominal dimension range in mm				- / □	
To	Over	To	Over	To	Over	0.1/10	
6	10	6	30	60	100	150	<
10	24	30	60	100	150		

6. RoHS Compliance

15EDGK - 5.08 - XXP - 1Y - 00A (H)  
 (Series No.) (Pitch) (Poles) (Single Pitch) (RoHS)  
 00A-(Standard)  
 (Color): 1.(Grey) 2.(Blue) 3.(Black) 4.(Green) 5.(Orange)  
 6.(Red) 7.(Transparent) 8.(Yellow) 9.(White)



(Approval mark can be printed on left and right end both)

DETACHED LISTS	PART NO.:	/			
	APPD:	/			
	CHKD:	/			
	DRFT:	/			
	THIRD ANGLE PROJECTION	/			
	NINGBO DEGSON ELECTRICAL CO., LTD				
	NAME:		15EDGK-5.08-XXP-1Y-00A(H)		
	TITLE:		CUSTOMER DRAWING	REV	
	DRAWING NO.:		/	DO	
	MM (INCH)		DO NOT SCALE DRAWING	SHEET 1/1	
			SCALE	1:1	