

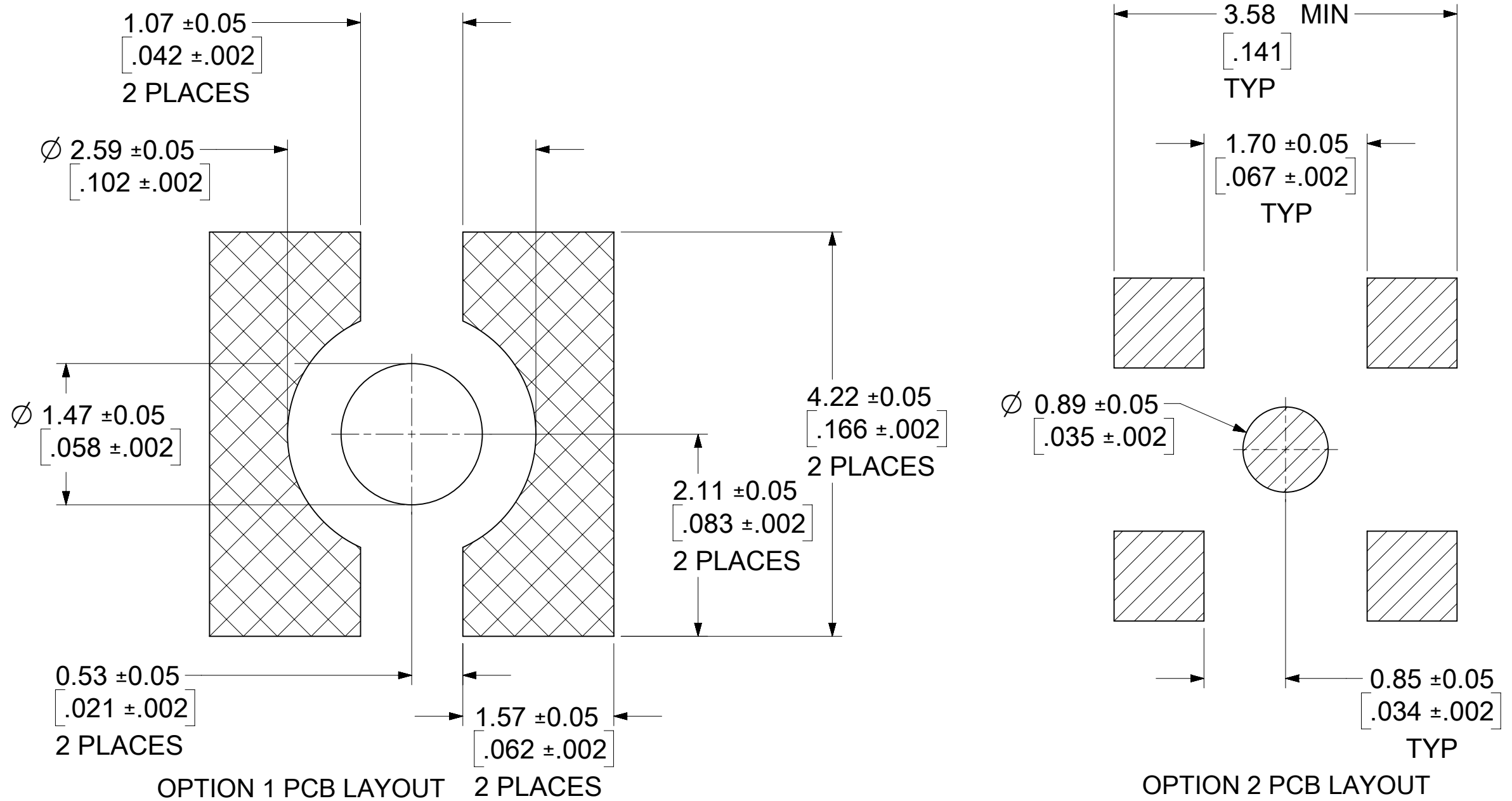
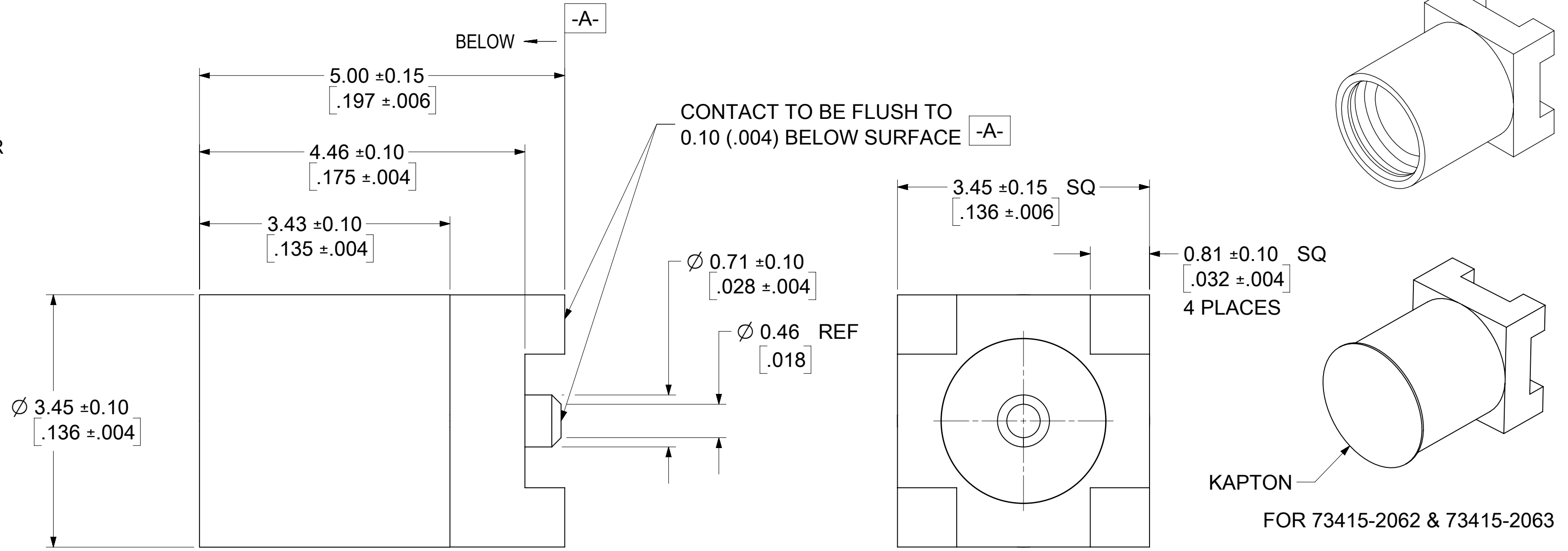
MATERIALS AND FINISHES

BODY BRASS
PLATED GOLD

CENTER CONTACT BERYLLIUM COPPER
PLATED GOLD

INSULATOR TEFLON

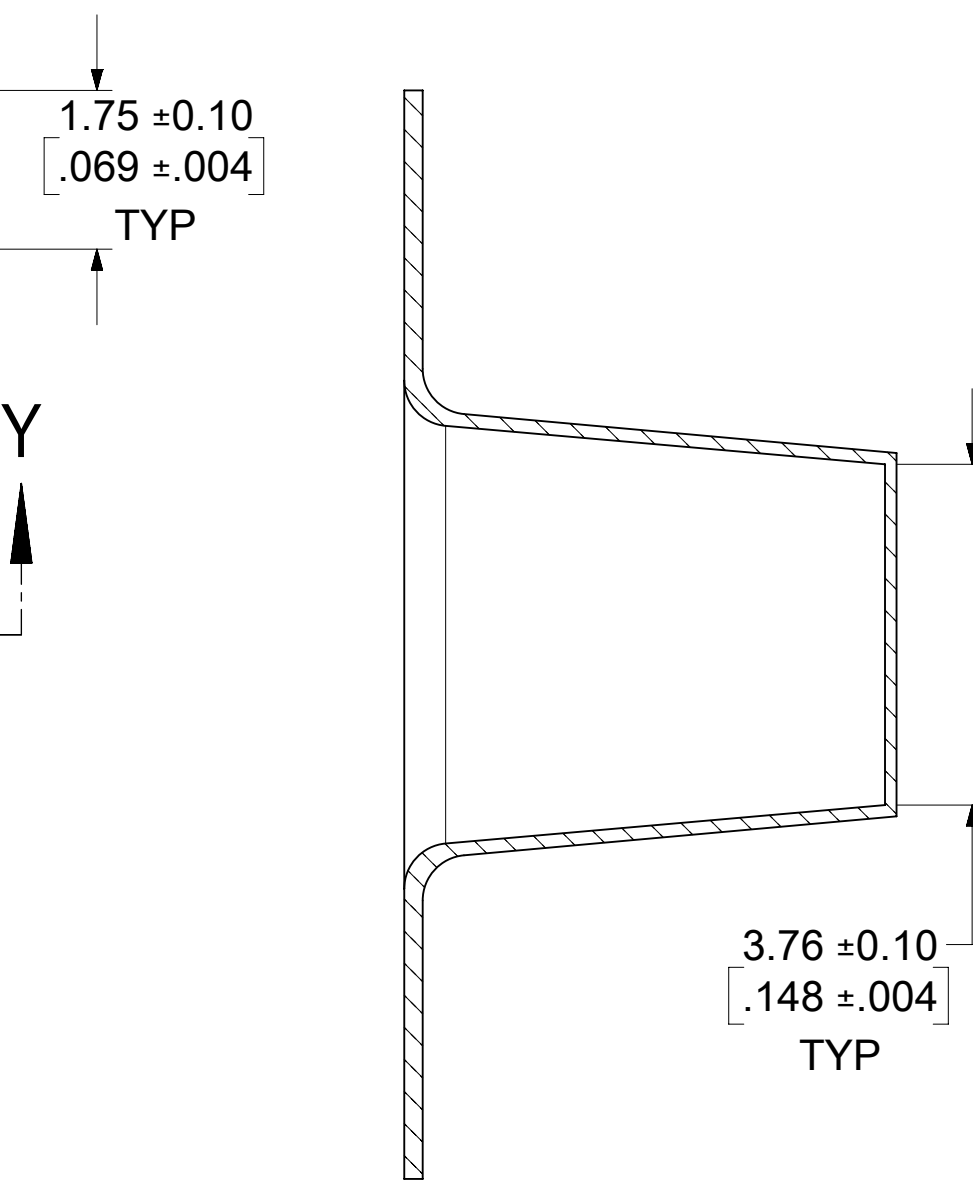
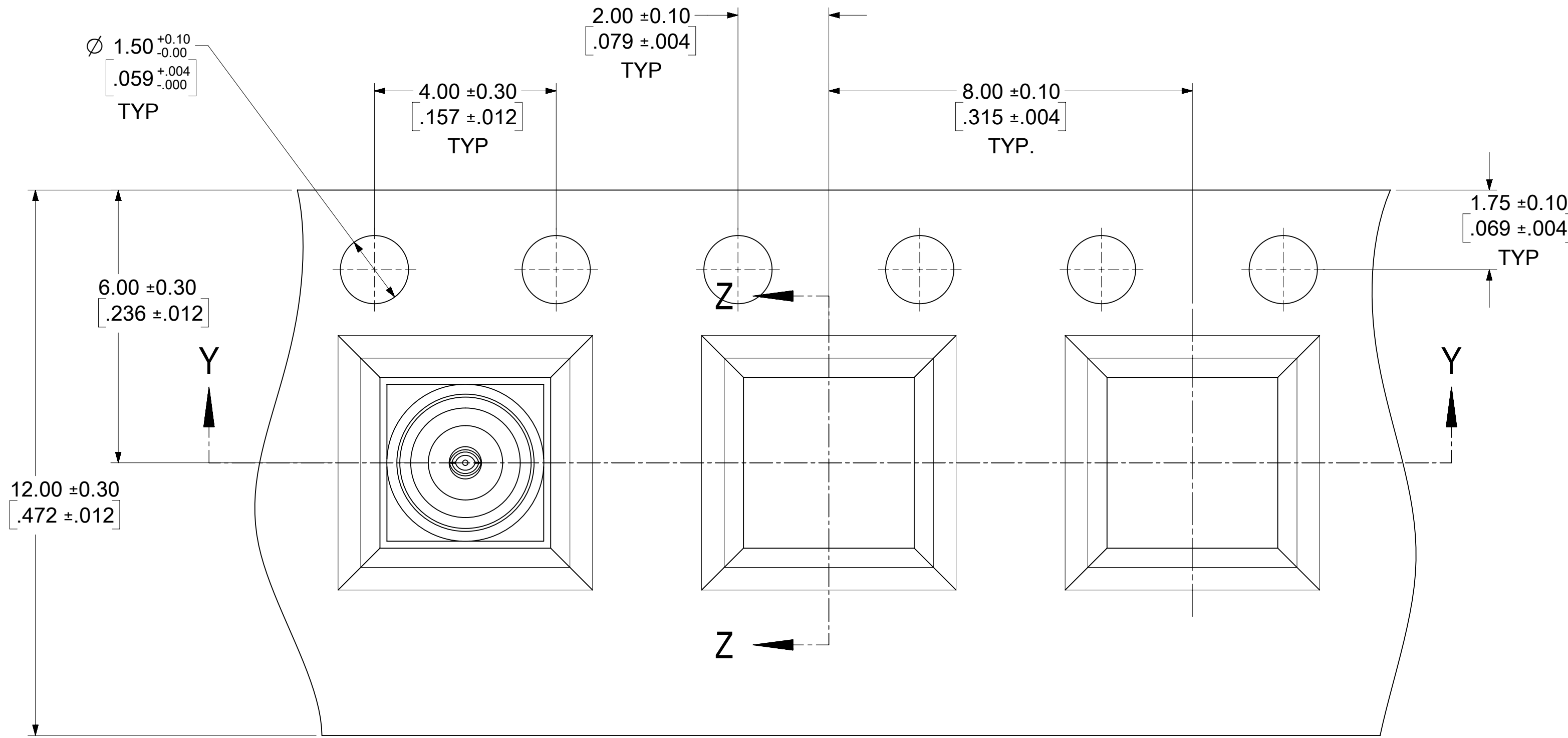
KAPTON
COLOR AMBER



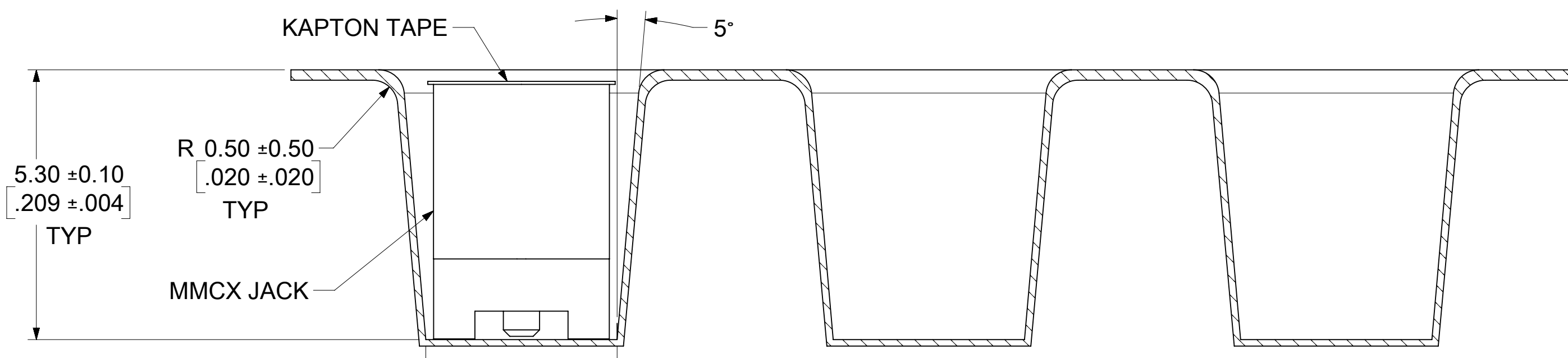
PS-89675-1920	ELECTRO/MECH PERFORM.
SPECIFICATION	DESCRIPTION

73415-2065	73415-2061 WITH TAPE & REEL WITHOUT KAPTON
73415-2064	73415-2061. ONE PER BAG
73415-2063	73415-2061 WITH TAPE & REEL/KAPTON
73415-2062	73415-2060 WITH TAPE & REEL/KAPTON
73415-2061	PER COMMERCIAL REQUIREMENTS, PACKING TRAY
73415-2060	PER MILITARY REQUIREMENTS, PACKING TRAY
PART NO.	PLATING

THIS DRAWING CONTAINS INFORMATION THAT IS PROPRIETARY TO MOLEX ELECTRONIC TECHNOLOGIES, LLC AND SHOULD NOT BE USED WITHOUT WRITTEN PERMISSION									
FUNCTIONAL SYMBOLS	DIMENSION UNITS	SCALE	CURRENT REV DESC:						
FA = 0	MM/INCH	NTS	EWR # 13872-A ADD KAPTON FOR -2063 EWR # 15132-A UPDATE PACKAGE DRAWING ADDED Ø0.46 REF DIMENSION						
EA = 0	GENERAL TOLERANCES (UNLESS SPECIFIED)		EC NO: 639888						
EP = 0	ANGULAR TOL ± 2.0°		4 PLACES ±		DRWN: JSU18		2020/06/18		<p>MMCX JACK, VERTICAL PCB/SMT 50 OHMS MMCX-J/PCB</p> <p>PRODUCT CUSTOMER DRAWING</p>
DIVISIONAL SYMBOLS		3 PLACES ±	CHK'D: YCHENG		2022/06/06		DOCUMENT NUMBER		
		2 PLACES ±	APPR: YCHENG		2022/06/06		DOC TYPE DOC PART REVISION		
		1 PLACE ±	INITIAL REVISION:		DRWN: TFLAHERTY		2006/02/09		
		0 PLACES ±	APPR: JWIENER		2006/02/09		SD-73415-206		
DRAFT WHERE APPLICABLE MUST REMAIN WITHIN DIMENSIONS			THIRD ANGLE PROJECTION	DRAWING	SERIES	MATERIAL NUMBER	CUSTOMER	SHEET NUMBER	
				C-SIZE	73415		GENERAL MARKET	1 OF 4	



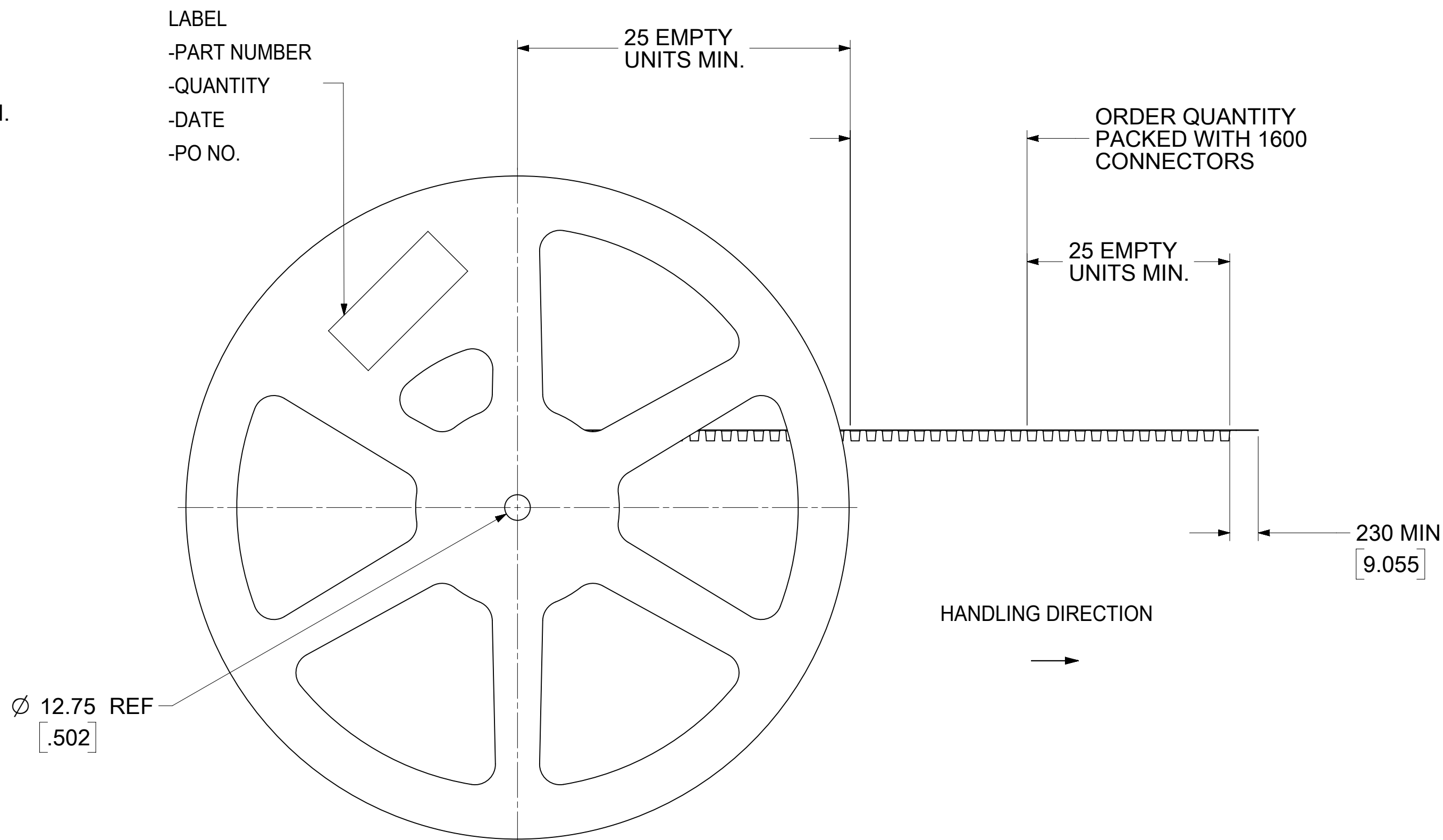
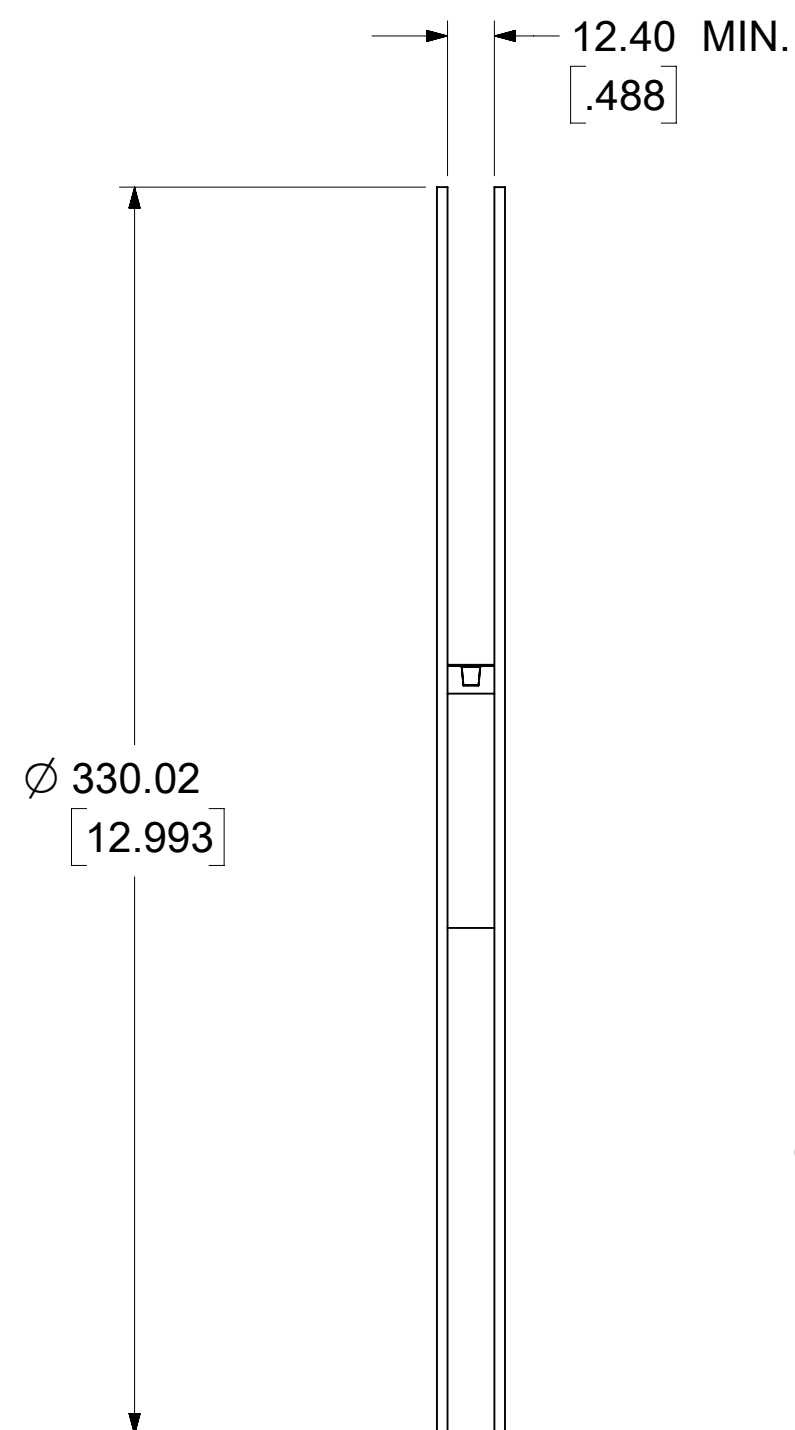
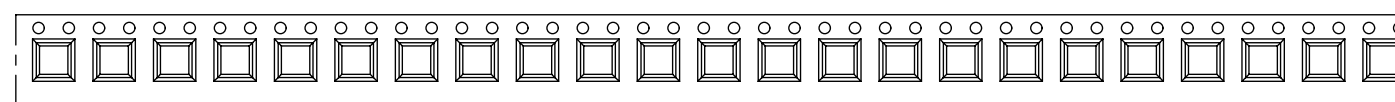
SECTION Z-Z



SECTION Y-Y

FUNCTIONAL SYMBOLS $\nabla_A = 0$ $\nabla_C = 0$ $\nabla_P = 0$ DIVISIONAL SYMBOLS	THIS DRAWING CONTAINS INFORMATION THAT IS PROPRIETARY TO MOLEX ELECTRONIC TECHNOLOGIES, LLC AND SHOULD NOT BE USED WITHOUT WRITTEN PERMISSION											
	DIMENSION UNITS		SCALE		CURRENT REV DESC:							
	MM/INCH		NTS		EWR # 13872-A ADD KAPTON FOR -2063 EWR # 15132-A UPDATE PACKAGE DRAWING							
	GENERAL TOLERANCES (UNLESS SPECIFIED)										EC NO: 639888 DRWN: JSU18 CHK'D: YCHENG APPR: YCHENG	
	ANGULAR TOL ± 2.0°											
4 PLACES ±		3 PLACES ±		2 PLACES ±		1 PLACE ±		0 PLACES ±		INITIAL REVISION: DRWN: TFLAHERTY APPR: JWIENER		
2020/06/18		2022/06/06		2022/06/06		2006/02/09		2006/02/09		DOCUMENT NUMBER SD-73415-206		
DRAFT WHERE APPLICABLE MUST REMAIN WITHIN DIMENSIONS		THIRD ANGLE PROJECTION		DRAWING		SERIES		MATERIAL NUMBER		CUSTOMER		
				C-SIZE		73415		GENERAL MARKET		DOC TYPE DOC PART REVISION PSD 001 B1		
SHEET NUMBER		2 OF 4										

NOTE:
13" REEL SIZE FOR 1600 PIECES



LABEL
-PART NUMBER
-QUANTITY
-DATE
-PO NO.

ORDER QUANTITY
PACKED WITH 1600
CONNECTORS

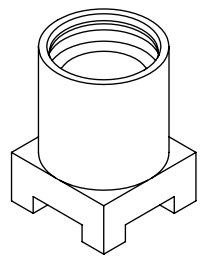
25 EMPTY
UNITS MIN.

230 MIN
[9.055]

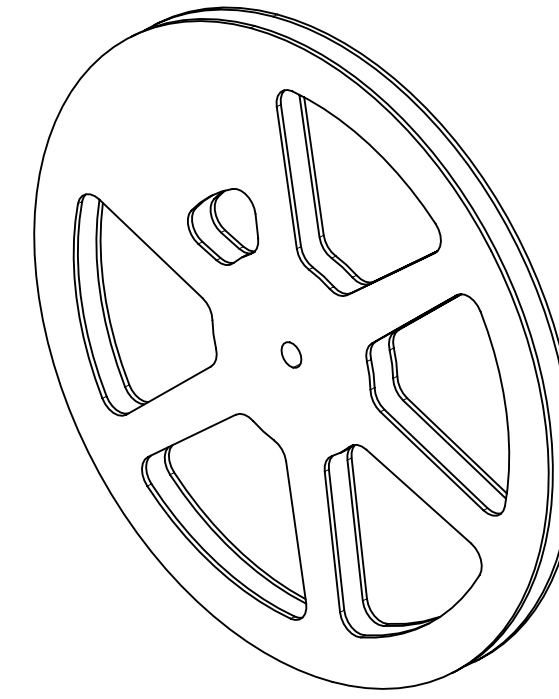
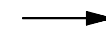
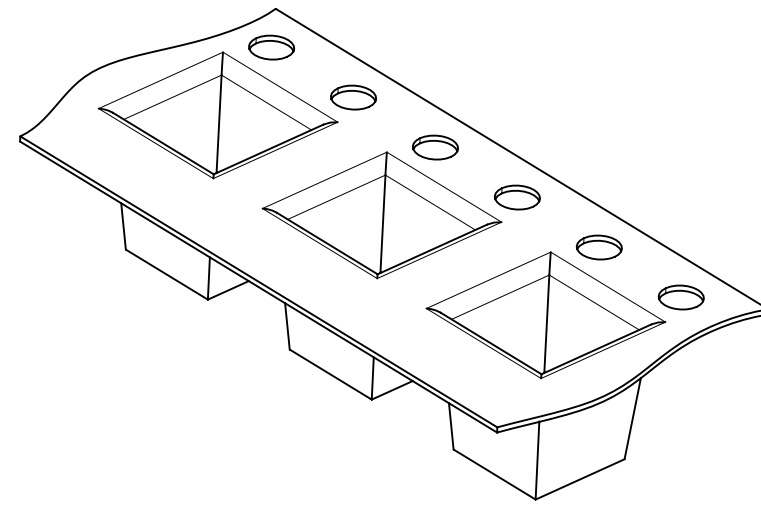
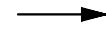
HANDLING DIRECTION
→

FUNCTIONAL SYMBOLS	THIS DRAWING CONTAINS INFORMATION THAT IS PROPRIETARY TO MOLEX ELECTRONIC TECHNOLOGIES, LLC AND SHOULD NOT BE USED WITHOUT WRITTEN PERMISSION												
	DIMENSION UNITS	SCALE	CURRENT REV DESC:								molex		
$\frac{F}{A} = 0$	MM/INCH	NTS	EWR # 13872-A ADD KAPTON FOR -2063 EWR # 15132-A UPDATE PACKAGE DRAWING										
$\frac{F}{C} = 0$	GENERAL TOLERANCES (UNLESS SPECIFIED)		EC NO: 639888								MMCX JACK, VERTICAL PCB/SMT 50 OHMS MMCX-J/PCB		
$\frac{F}{P} = 0$	ANGULAR TOL ± 2.0°		DRWN: JSU18 2020/06/18										
DIVISIONAL SYMBOLS	4 PLACES ±		CHK'D: YCHENG 2022/06/06								PRODUCT CUSTOMER DRAWING		
	3 PLACES ±		APPR: YCHENG 2022/06/06										
	2 PLACES ±		INITIAL REVISION:										
	1 PLACE ±		DRWN: TFLAHERTY 2006/02/09										
0 PLACES ±		APPR: JWIENER 2006/02/09								DOCUMENT NUMBER	DOC TYPE	DOC PART	REVISION
DRAFT WHERE APPLICABLE MUST REMAIN WITHIN DIMENSIONS		THIRD ANGLE PROJECTION	DRAWING	SERIES	MATERIAL NUMBER	CUSTOMER	SD-73415-206 PSD 001 B1						
			C-SIZE	73415		GENERAL MARKET	SHEET NUMBER 3 OF 4						

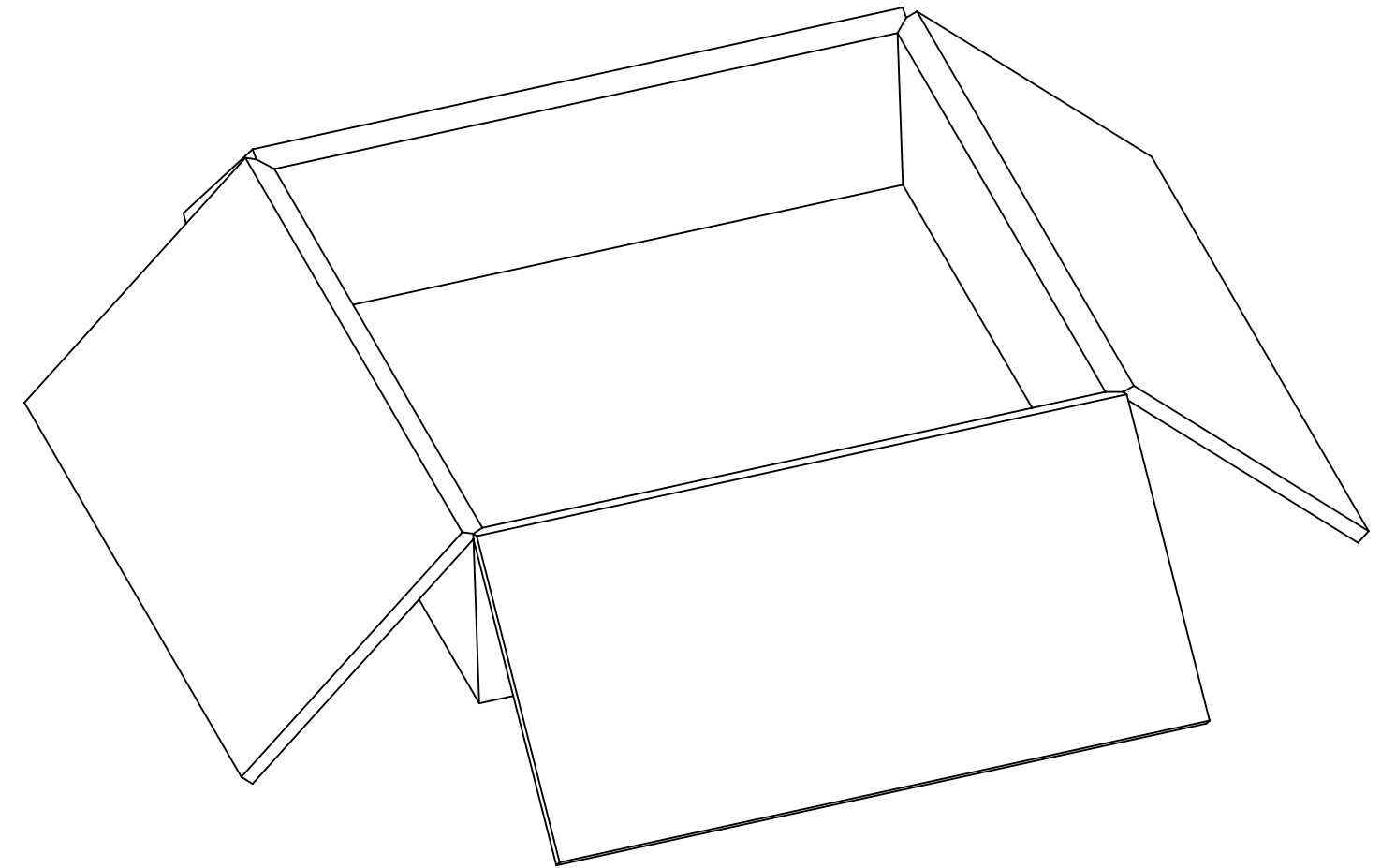
DOCUMENT STATUS	P1	RELEASE DATE	2022/06/06	06:20:24
-----------------	----	--------------	------------	----------



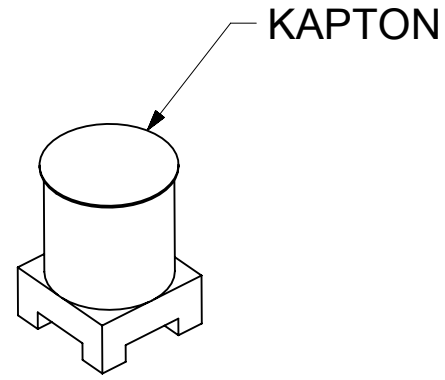
PART NO. 73415-2065



1600 SET PER 13" REEL



8000 CONNECTORS PER
OUTER CARTON BOX
339 X 339 X 100 REF.



PART NO 73415-2062
PART NO 73415-2063

FUNCTIONAL SYMBOLS	THIS DRAWING CONTAINS INFORMATION THAT IS PROPRIETARY TO MOLEX ELECTRONIC TECHNOLOGIES, LLC AND SHOULD NOT BE USED WITHOUT WRITTEN PERMISSION												
	DIMENSION UNITS	SCALE	CURRENT REV DESC:								molex		
$\frac{E}{A} = 0$	MM/INCH	NTS	EWR # 13872-A ADD KAPTON FOR -2063 EWR # 15132-A UPDATE PACKAGE DRAWING										
$\frac{E}{C} = 0$	GENERAL TOLERANCES (UNLESS SPECIFIED)		EC NO: 639888								MMCX JACK, VERTICAL PCB/SMT 50 OHMS MMCX-J/PCB		
$\frac{E}{P} = 0$	ANGULAR TOL $\pm 2.0^\circ$		DRWN: JSU18 2020/06/18										
DIVISIONAL SYMBOLS	4 PLACES \pm		CHK'D: YCHENG 2022/06/06								PRODUCT CUSTOMER DRAWING		
	3 PLACES \pm		APPR: YCHENG 2022/06/06										
	2 PLACES \pm		INITIAL REVISION:										
	1 PLACE \pm		DRWN: TFLAHERTY 2006/02/09										
0 PLACES \pm		APPR: JWIENER 2006/02/09								DOCUMENT NUMBER	DOC TYPE	DOC PART	REVISION
DRAFT WHERE APPLICABLE MUST REMAIN WITHIN DIMENSIONS		THIRD ANGLE PROJECTION		DRAWING	SERIES	MATERIAL NUMBER		CUSTOMER		SHEET NUMBER			
				C-SIZE	73415	SD-73415-206		GENERAL MARKET		4 OF 4			

DOCUMENT STATUS	P1	RELEASE DATE	2022/06/06	06:20:24
-----------------	----	--------------	------------	----------