

D/N:600-13230-01

HSD PCB Plug, 4 Pin, V/T



Technology Parameters

Material

- ❖ Plastic Housings: PPA
- ❖ Outer Contact: Phosphor Bronze
- ❖ Insulator: HTN
- ❖ Center Pin: Copper Alloy

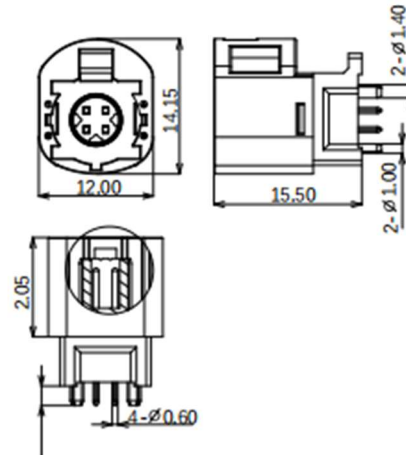
Electrical Performance

- 1.1 Impedance: 100 Ω
- 1.2 Frequency Range: DC to 2 GHz
- 1.3 Return Loss:
 - ≥ 20 dB to 1 GHz
 - ≥ 17 dB to 2 GHz
- 1.4 Insertion Loss: ≤ 0.1 dB to 2 GHz
- 1.5 Insulation Resistance: ≥ 1000 M Ω
- 1.6 Center Contact Resistance: ≤ 8 m Ω
- 1.7 Test Voltage: 250 V rms
- 1.8 Working Voltage: 100 V rms
- 1.9 Contact Current: ≤ 1.5 A DC
- 2.0 RF-leakage:
 - 75dB, up to 1GHz(IEC 62153-4-7)
 - 65dB, up to 2GHz(IEC 62153-4-7)

Mechanical Performance

- 2.1 Mating Cycles: ≥ 25 Cycles
- 2.2 Engagement Force: ≤ 30 N
- 2.3 Disengagement Force: ≥ 5 N
- 2.4 Retention Force Latch: ≥ 110 N
- 2.5 Temperature Range: - 40°C ~ +105°C

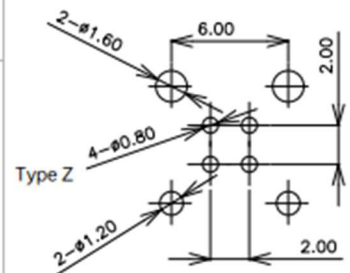
Products Data & Appearance Dimensions



Material

- Plastic Housings: PPA
- Outer Contact: Phosphor Bronze
- Insulator: HTN
- Center Pin: Copper Alloy

PCB Layout



Part Number Table

P/N	818013230	818013231	818013232	818013233	818013234	818013235	818013236
Type	Type A	Type B	Type C	Type D	Type E	Type F	
Image							