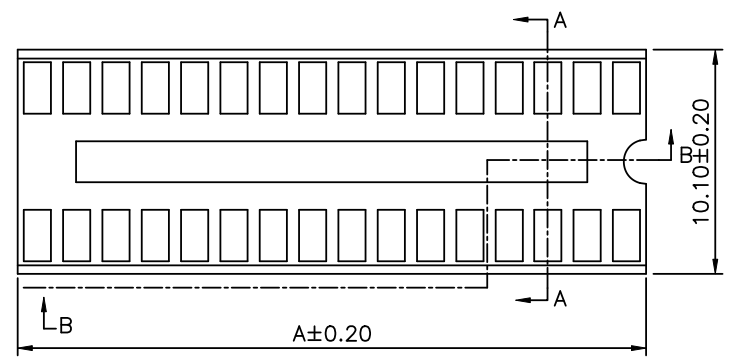
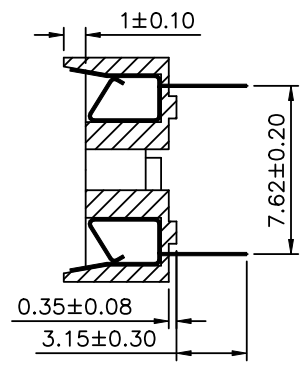


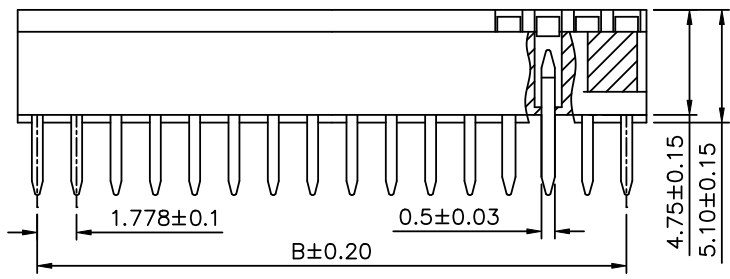
△ Recommended P.C.B. Layout



△



△ Section A-A



△ Section B-B

△ SPECIFICATION

Current Rating:1A  
 Dielectric Withstanding Voltage:1000V RMS/Minute  
 Insulator Resistance:5000 Megaohms Min.  
 Operating Temperature:-55°C To 85°C  
 Contact:Phosphor Bronze,Tin Plated Over Nickel  
 Insulator:PBT(UL94V-0)  
 RoHS Compliant

△ HIC 03 XX X - H  
 (1) (2) (3)(4) (5)

- (1) HIC:1.778mm IC Socket DIP Straight
- (2) 03:Width 0.3 Inch
- (3) XX:No. Of Position
- (4) X:Without Bar
- (5) H:RoHS Compliant

Pin	A±0.20	B±0.20
16	14.22	12.45
20	17.78	16.00
22	19.56	17.78
24	21.34	19.56

**AUK** A MEMBER OF AUK GROUP  
**太聯事業股份有限公司**  
**AUK CONTRACTORS CO., LTD.**

CATEGORY		APPROVED BY		UNLESS OTHERWISE SPECIFIED TOLERANCES ARE .X ±0.38 .XX ±0.25 ANG.
PART No. △ HIC03XXX-H		MEI		
DRAWING No. HIC03XXX-H		CHECKED BY HZF		
SCALE NONE		DRAWING BY CYP		
REV.	A1	UNIT mm		

NO.	REV.	REVISIONS	CHK	DATE
△ A1		Modify P/N:HIC03XX --> HIC03XXX-H	HZF	02/11/2017
△ A0		NEW RELEASE	BECKY	2004/11/17