

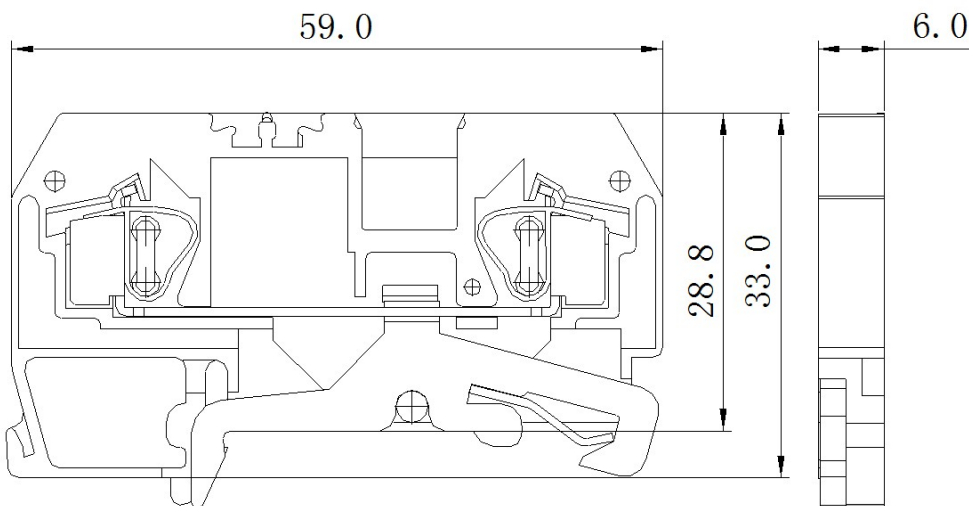
Category: 回拉式弹簧接线/Plug-in terminal-plug

Product name: 204927

Product Description: 6mm CE



Product Picture



基本信息 /Basic Information

| | |
|-------------------------------|--------------------------------|
| 产品型号 SUPU ID | 204927 |
| 宽度 Width | 6mm |
| 产品层数 Number of levels | 1 |
| 接线位数 Number of connections | 2 |
| 接线方式 Connection method | 回拉式弹簧接线/Spring cage connection |
| 防护等级 Protection Level | IP20 |

| | |
|--------------------------|------------|
| 工作温度 Work temperature | -40~+105°C |
|--------------------------|------------|

IEC数据 /IEC Data

| | |
|--|------------------------|
| 额定电流 Rated Current | - |
| 额定电压 Rated Voltage | - |
| 过压类别 Overvoltage category | III |
| 污染等级 Pollution degree | 3 |
| 额定冲击电压 Rated impulse voltage | 8KV |
| 刚性导线截面积 Conductor cross section solid | 0.2-4mm ² |
| 柔性导线截面积 Conductor cross section flexible | 0.2-4mm ² |
| 柔性导线截面积，带绝缘管套 Conductor cross section flexible,with furrule | 0.2-2.5mm ² |
| 剥线长度 Stripping length | 9-10mm |

UL数据 /UL Data

| 使用组别 Use group | B | C | D |
|-------------------------------|----------|---|---|
| 额定电流 Rated Current | - | - | - |
| 额定电压 Rated Voltage | - | - | - |
| 额定接线容量 Rated cross section | 28-12AWG | | |

材料信息 /Material Data

| | |
|---|------|
| 绝缘材料 Insulation material | PA66 |
| 绝缘材料组别 Insulation material group | I |
| 阻燃等级，符合UL94 Flame retardant grade, UL94 compliance | V0 |

| | |
|------------------------------------|--------------|
| 导电体材料 Contact material | Copper alloy |
| 导电体表面镀层 Surface characteristics | Sn,Plated |

产品认证 /Product Certification

认证图标
Certificate



UL证书号
UL file No.

VDE证书号
VDE No.

TUV证书号
TUV No.

Ningbo Supu Electronics Co.,Ltd

Zip code: 315303

Fax: +86 574-63288170

E-mail : askme@supu.cn

Address: No. 625, Kandun Town Street, Cixi
City, Zhejiang Province

Switchboard: +86 574-63288158

E-mail : askme@supu.cn

Service Hotline: 400-626-6336



Code

File date : 2024-09-13 13:01

Product Entry : 2024-04-15

The right to modify data belongs to
Supu.