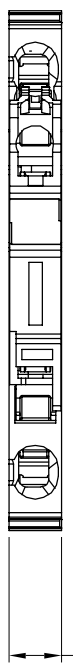
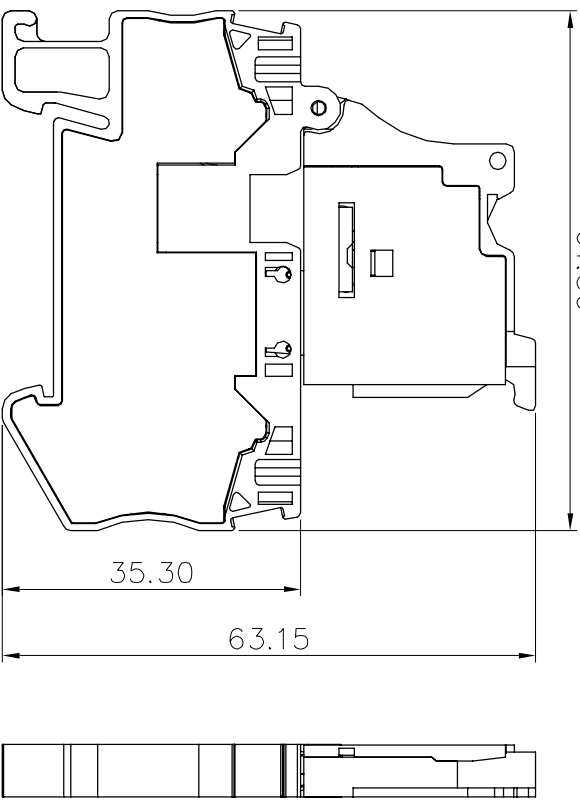


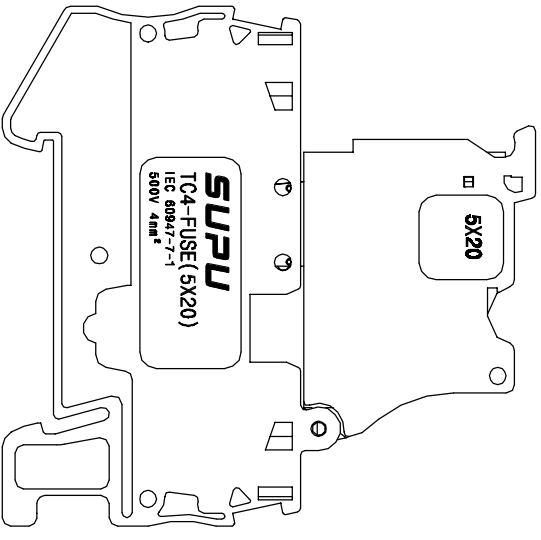
REVISION RECORD				
REV	ECN	DESCRIPTION	DRAFT	DATE
△	DCN00006226	图纸更新	董方正	2020/1/07



61.50



- Connection method:
1. For Solid wire, peeling wire in right length, push down spring to clapthe wire.
  2. For stranded wire, connect directly after peeling in right length, or wire furruled and fix in by pushingthe spring.



HOW TO ORDER:

T4-SPLIT-BK

Series No. Color: BK:Black

Material:

Insulator	PAB6	UL94 V-0
Conductor	Copper alloy	Sn plated
Spring	Stainless steel	

- General information:
- 1.Dimension shall be interpreted per ASME Y14.5-2009
  - 2.Stripping length : 10mm
  - 3.Operating temperature: -40°C~+105°C
  - 4.RoHS Compliance
  - 5.Undimensioned Tolerances:

Pitch	Range	In	Nominal	Dimension	Range	mm	In	mm
Over	To	Over	To	Over	To	Over	To	Over
6	10	10	24	30	60	60	100	150
±0.15	+0.20	±0.30	±0.30	±0.50	+0.70	±1.00	±1.30	±2°

- IEC Standard
1. Conductor cross section :
- |   |                      |
|---|----------------------|
| Wire range(Solid/Stranded)                    | 0.2-4mm <sup>2</sup> |
| Solid   | 0.2-6mm <sup>2</sup> |
| Stranded                                      | 0.2-4mm <sup>2</sup> |
| Stranded with ferrules without plastic sleeve | 0.2-4mm <sup>2</sup> |
| Stranded with ferrules with plastic sleeve    | 0.2-4mm <sup>2</sup> |
2. Rated Voltage/Current :
- |                         |     |
|-------------------------|-----|
| Surge voltage category  | III |
| Pollution degree        | 3   |
| Rated surge voltage(kV) | 8   |
| Rated voltage(V)        | 500 |
| Rated current(A)        | 20  |

订货号	TC4-SPLIT-BK	名称	TC系列瓷式弹簧 4mm <sup>2</sup> 悬臂式分断 接线端子	未注公差	表面
项目	签字	图号	PRM001129	Tolerances Table	VDI21
设计	dfz	物料号	412122002	阶段标记	版本
审核	cw	日期	01/06/20"	Progress	Revision
工艺	-	图号		M	1
Process	-	材料		重量	Scale
标准化	-	Notes		/	1:1
Unity	-	物料号	412122002		
批准	1w1	物料号			
批准	01/06/20"	Item No.			

Transmittal, reproduction, dissemination and/or editing of this document as well as utilization of its contents and communication thereof to others without express authorization are prohibited.

未经允许禁止传输、复制、编辑该文档，以及利用其内容进行交流