

Data sheet

Commercial Art.No.: 92.207.3004.1

Cable assembly GST18i4KS-S 15 30SW

GST18i4 extension cable male - free end, length 3.0 m, 4 pole, coding mains 250 V/ 400 V, 16 A, coding color black, strain relief color black, cable color black, cross section 1.5 mm², cable type H05VV-F, fire class: Eca



Commercial Art.No.	92.207.3004.1
EAN	4015573569249
Order Unit	1

Certificates / Approvals



Technical data

General

Rated current	16 A
Rated voltage	250 V / 400 V
Rated impulse voltage	4 kV
Pollution degree	2
Mechanical coding	Code 1
Lockable	self-locking (unlocking by tool)
Color of coding/ contact carrier	black
Marking of poles	2, N, PE, 1
Color of housing inclusive strain relief	black

Model

Nominal cross section conductor	1.5 mm ²
Degree of protection (IP)	IP20
Wire strip length	9 mm
sheath strip length	35 mm
Preparation of conductor ends	ultrasonically compressed wire ends
Cable type	H05VV-F
Cable color	black
Cable diameter max.	9.2 mm
Version of cable	male - free end
Type of cord set	connection cable
Version cable end 1	free end

Version cable end 2	GST18i4 plug
---------------------	--------------

Material

Surface finish	Tin-plated
halogen free	No
Continuous temperature of cable	70 °C
Insulation components continuous temperature	100 °C
Fire load	1.406 kWh
Fire class	Eca

Dimensions

Total length	3 m
--------------	-----

Classification

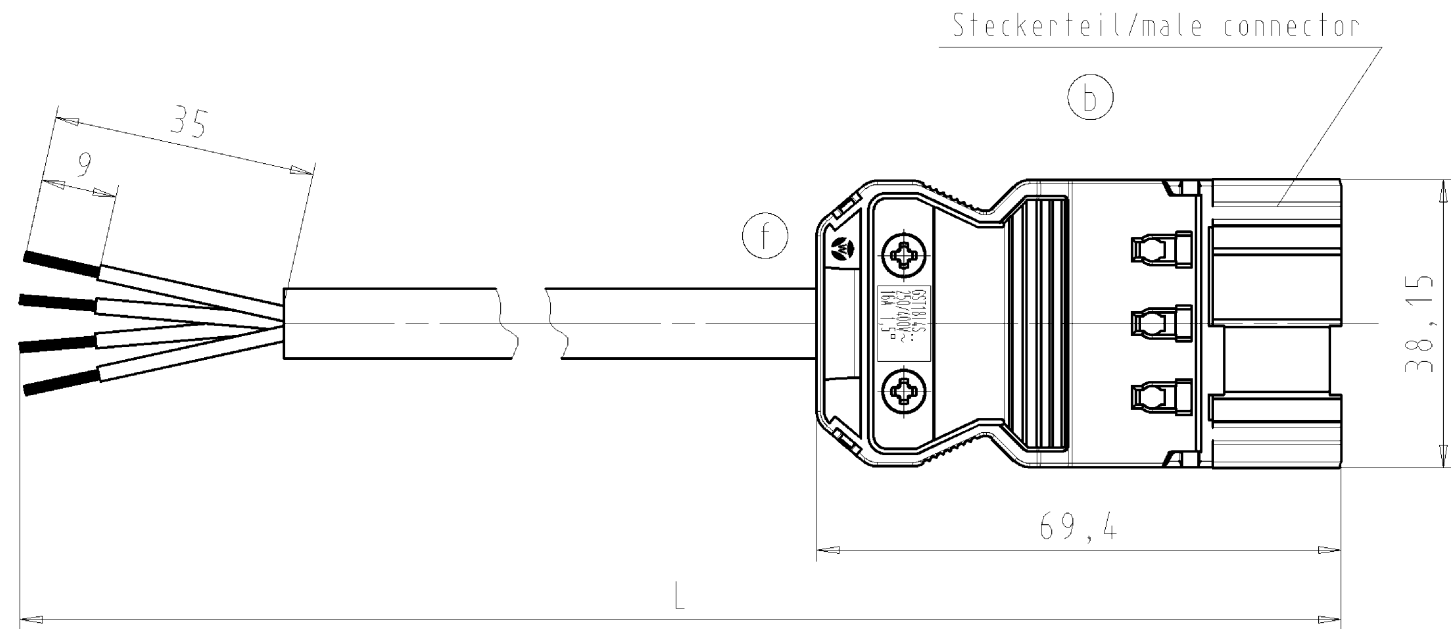
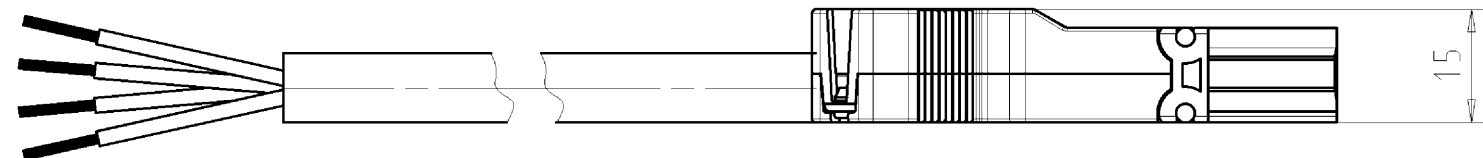
ECLASS 11	
ECLASS 8.1	27440604
ETIM 7.0	EC002587
ETIM 6.0	EC002587
ETIM 5.0	EC002587
ETIM 4.0	EC002587

Product compliance

ROHS conformity status	Compliant/Exempted
ROHS exceptions	III-6(c)
REACH-SVHC conformity status	Duty-To-Declare
REACH-SVHC substances	Lead
REACH-SVHC CAS numbers	7439-92-1

Accessories

Commercial Art.No.:	Article-type description:	Description:
05.587.3156.0	Lock (G)ST18 WS	Locking device for cable to cable connection GST18i3-5, white
05.564.5353.0	cover cap GST18i3/4/5 SW	Cover piece 12 pole black for female parts GST18i3-6
05.564.5353.2	cover cap GST18i3/4/5 WS	Cover piece 12 pole white for female parts GST18i3-6
05.566.9153.0	cover cap GST18i4 BUCHSEN	Cover for female connectors GST18i4, black
05.587.3156.1	Lock (G)ST18 SW	Locking device for cable to cable connection GST18i3-5, black



Kabel/cable: H05VV-F4G1,5
 Farbe/colour: siehe Tabelle/see table

Pol pole	Aderfarbe colour of core
(a) L2	schwarz / black
N	blau / blue
⊕	grün-gelb / green-yellow
(a) L1	braun / brown

.F	Farbe colour	Codierung "X" Stecker male	Kabelfarbe / cable colour Zugentlastungsfarbe/strain relief colour
.1	schwarz black	1 PE N 2 	schwarz black
.2	weiß white		weiß white
.3	grau grey	1 PE N 2 	schwarz black

Weitere Daten siehe Katalog
 further data see catalog

Typ/type: GST1814KS-S 15 .. SW = schwarz/black
 .. WS = weiß/white
 GR01 = grau/grey

Teile-Nr. part-no.	L	Beispiel (Farbe: schwarz) exampel (colour: black)	Typ type
92.207.XX04.F	XX in dm-Schritten	92.207.1004.1 = 10dm/L= 1000mm	GST1814KS-S 15 10SW
U2.207.XX04.F	XX in m-Schritten	U2.207.1204.1 = 12 m/L=12000mm	GST1814KS-S 15 X10SW
Tolerierung nach DIN 7167/Tolerance system acc. to DIN 7167. (This DIN-standard describes the envelope principle. According to the envelope principle the deviations of form and parallelism are limited by the size tolerances).		ja/yes <input checked="" type="checkbox"/> Stoffverbots- und Deklarationsliste nach UU-TQM-05/03 ist einzuhalten. Conformity with Wieland document UU-TQM-05/03 (list of prohibited / declarable hazardous substances) to be declared!	
Freitoleranz nach General tolerance		CAD - Zeichnung, keine manuellen Änderungen CAD - drawing, no manual modifications allowed	1.Verwendung: First Use: -
Blatt: 1 von 1 Sheet: of 1		Zeichnung Nr./Drawing No. Index	
/		Werkstoff/Material	
/		2004 Tag/Date Name	
e 27.01.2012/		gezeichnet drawn 14.05. Schmitt J.	
d 10.02.2006/		geprüft checked - -	
c 04.07.2005/		Normgepr. Stand. check - -	
b 08.02.2005/		Ersatz für/Replacement for: -	
a 09.09.2004/		Type Benennung/Tittle	
Index Datum / Blatt Date / Sheet		PRE-ASSEMBLED CABLE KONFEKT_LEITUNG	
Änderung/Revision		Stecker/male - freies Ende/free end 1,5qmm Schraubanschluß/screw connection 250V	

These dimensions will be especially checked at delivery
 Only inspection dimensions
 With /E marked dimensions are only valid for internal use

Diese Maße werden bei Abnahme besonders geprüft
 Ausschließliche Prüfmaße
 Mit /E gekennzeichnete Maße sind nur für interne Zwecke gültig

Weitergabe sowie Vervielfältigung dieses Dokuments, Verwertung und Mitteilung seines Inhalts sind verboten, soweit nicht ausdrücklich gestattet.
 The reproduction, distribution and utilization of this document as well as the communication of its contents to others without express authorization is prohibited.

922070504101K_2 CADW2037.dwg 2012-02-01 13:28:11 1:000 QU-PEM-08/91