

## Data sheet

Commercial Art.No.: 46.031.4554.1

Connector RST16i3/2S B1 ZT4 SW

RST16i3/2 connector, 2 pole, female, screw connection, application 250V, 16A, for cable diameters 5.0-9.5mm, coding color black, color of housing black



Commercial Art.No.	46.031.4554.1
EAN	4049088295744
Order Unit	1

Certificates / Approvals



## Technical data

### General

Rated current	16 A
Rated voltage	250 V
Rated impulse voltage	4 kV
strain relief	yes
Pollution degree	3
Lockable	self-locking (unlocking by hand)
Color of coding/ contact carrier	black
Marking of poles	L, N
Color of housing inclusive strain relief	black

### Connection Data

Cable diameter max.	9.5 mm
Cable diameter min.	5 mm
Connection cross section solid mm <sup>2</sup> max.	2.5 mm <sup>2</sup>
Connection cross section solid mm <sup>2</sup> min.	0.25 mm <sup>2</sup>
Connection cross section fine stranded mm <sup>2</sup> max.	2.5 mm <sup>2</sup>
Connection cross section fine stranded mm <sup>2</sup> min.	0.25 mm <sup>2</sup>
Terminations per pole	1
sheath strip length	25 mm
Wire strip length	8 mm

### Model

Model	female
Connection type	screw connection
Degree of protection (IP)	IP66/68 (3m;2h) /IP69

### Material

Housing material	Polyamide
halogen free	yes
Contact material	CuZn
Fire load	0.151 kWh
Insulation components continuous temperature	100 °C
Surface finish	Silver-plated

#### Dimensions

Length	71 mm
Width	19.9 mm
Height	19.9 mm

#### Classification

ECLASS 11	
ECLASS 8.1	27440605
ETIM 7.0	EC002560
ETIM 6.0	EC002560
ETIM 5.0	EC002560
ETIM 4.0	EC002560

#### Note

Note	RST® terminals with screw clamping allow the connection of conductors without special preparation (without ferrules) according to EN 60999-1.
------	---

#### Product compliance

ROHS conformity status	Compliant/Exempted
ROHS exceptions	III-6(c)
REACH-SVHC conformity status	Duty-To-Declare
REACH-SVHC substances	Lead
REACH-SVHC CAS numbers	7439-92-1

#### Fits with

Commercial Art.No.:	Article-type description:	Description:
46.032.4554.1	Connector RST16I3/2S S1 ZT4 SW	RST16i3/2 connector, 2 pole, male, screw connection, application 250V, 16A, for cable diameters 5.0-9.5mm, coding color black, color of housing black
46.032.5054.1	Device connector RST16I3/2S S1 M02 SW	RST16i3/2 device connector M16, 2 pole, male, screw connection, application 250V, 16A, coding color black
46.030.0154.1	Distributor RST16I2B 3P1 FGVG SW	RST16i3/2 compact distribution unit, 2 pole, application 250V, 16 A, 1 input and 3 outputs, fastening option, coding color black, color of housing black
46.032.M054.1	Device connector RST16I3/2 S D03 MSW	RST16i3/2 modular device connector M20, 2 pole, male, spring clamp connection, with automatic wiring option, application 250V, 16A, coding color black
46.032.M0L1.1	Device connector RST16I3/2 2 D03 MSW	RST16i3/2 modular device connector with longitudinal sealing M20, 2 pole, male, spring clamp connection, with automatic wiring option, application 250V, 16A, coding color black

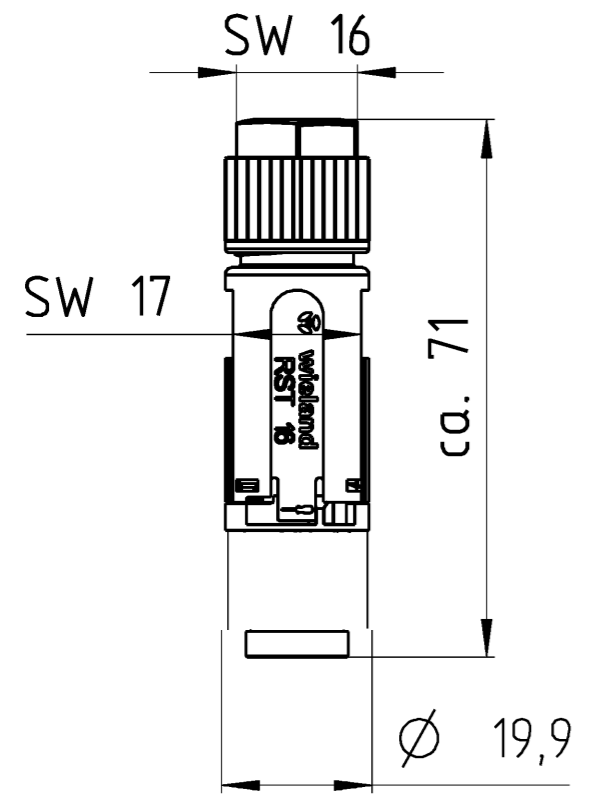
46.030.1254.1	Distributor RST16I2V 2P1 TGVG SW	RST16i3/2 distribution block, 2 pole, application 250V, 16 A, 1 input and 2 outputs, fastening option with separate mounting plate, coding color black
---------------	----------------------------------	--

A  
Weitergabe sowie Vervielfältigung dieses Dokuments, Verwertung und Mitteilung seines Inhalts sind verboten, soweit nicht ausdrücklich gestattet. The reproduction, distribution and utilization of this document as well as the communication of its contents to others without express authorization is prohibited.

B  
These dimensions will be especially checked at delivery  
Only inspection dimensions  
With /E marked dimensions are only valid for internal use

C  
Diese Maße werden bei Abnahme besonders geprüft  
Ausschließlich Prüfmaße  
Mit /E gekennzeichnete Maße sind nur für interne Zwecke gültig

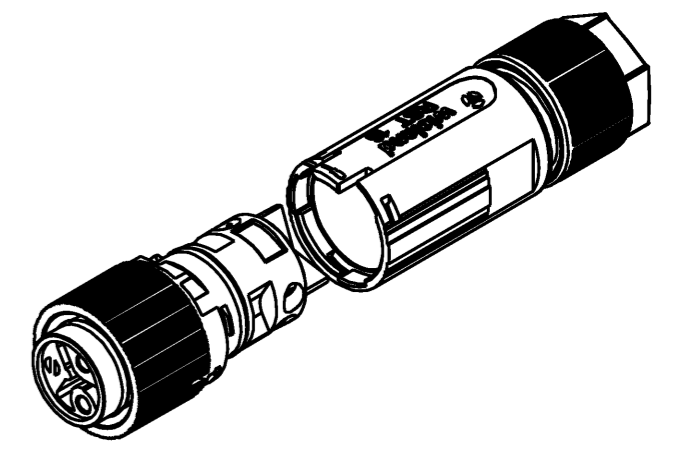
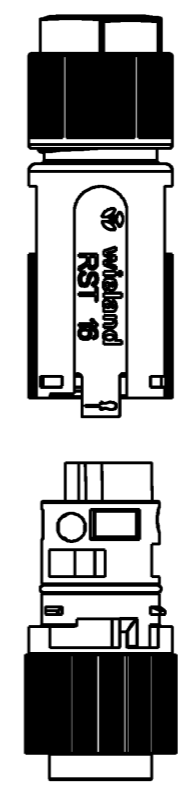
F



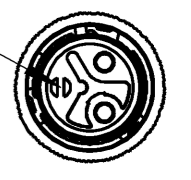
Kodierung/  
Coding

-  C1
-  C2
-  C3
-  C4
-  C5

Auslieferungszustand/  
delivery condition



Pol nicht montiert  
pole not mounted



46.031.4551.6	RST1613	S B1 ZT4S A TB	C5	türkisblau /turquoise blue
46.031.4554.9	RST1613	S B1 ZT4S H BL	C4	lichtblau /light blue
46.031.4551.4	RST1613	S B1 ZT4S L BR	C3	signalbraun /signal brown
46.031.4556.7	RST1613	S B1 ZT4S GN	C2	laubgrün /leaf green
46.031.4554.1	RST1613	S B1 ZT4 SW	C1	schwarz /black
46.031.4554.0	RST1613	S B1 ZT4 GL	C1	lichtgrau /light grey
Bestellnummer Order number	Type		Kodierung Coding	
Weitere Daten siehe KATALOG oder eKatalog. Additional data see CATALOG or eCatalog			www.wieland-electric.com eshop.wieland-electric.com	

Tolerierung Size ISO 14405 (E) / Tolerance system Size ISO 14405 (E). (This ISO-standard describes the envelope principle. According to the envelope principle the deviations of form and parallelism are limited by the size tolerances).		ja/yes <input checked="" type="checkbox"/> Stoffverbots- und Deklarationsliste nach WN 5020.010 ist einzuhalten. Conformity with Wieland document WN 5020.010 e (list of prohibited / declarable hazardous substances) to be declared!	
Freitoleranz nach General tolerance	CAD - Zeichnung, keine manuellen Änderungen CAD - drawing, no manual modifications allowed	1. Verwendung: First Use:	Blatt: Sheet: 1 von 1 of 1
	Werkstoff / Material	Tag/Date	Name
		gezeichnet drawn 11.04.2016	Ritter
	Maßstab / Scale	geprüft checked	
	1:1	Normgepr. Stand. check	
	Vol. mm <sup>3</sup> Dfl./Srf. mm <sup>2</sup>	Ersatz für / Replacement for:	
		Type	Benennung/Title
b	09.05.2019 / Datum / Blatt Date / Sheet	BUCHSENTEIL mit Zugentlastung 2polig female with strain relief 2-pole	
Änderung / Revision	www.wieland www.wieland-electric.com		