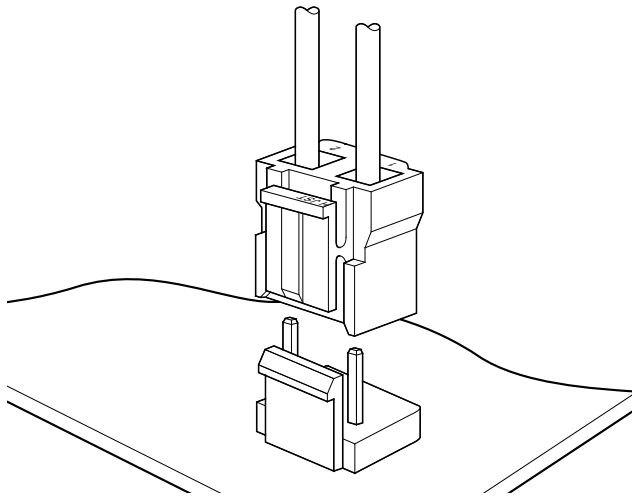




VA CONNECTOR

7.92 mm pitch/Disconnectable Crimp style connectors



This 7.92 mm pitch large current carrying capacity connector is used with primary power supply circuits and various other circuits requiring large currents. It features an anti-misinsertion construction and a reliable locking mechanism to ensure maximum safety.

- Box contact
- Secure contact and mounting
- Compact connector with a large capacity

Specifications

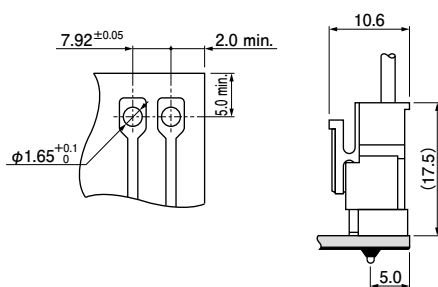
- Current rating: 7 A AC/DC (AWG #18)
 - Voltage rating: 250 V AC/DC
 - Temperature range: -25°C to +85°C
(including temperature rise in applying electrical current)
 - Contact resistance: Initial value/ 10mΩ max.
After environmental tests/ 20mΩ max.
 - Insulation resistance: 1,000 MΩ min.
 - Withstanding voltage: 1,200 VAC/minute
 - Applicable wire: AWG #20 to #18
 - Applicable PC board thickness: 1.6 mm
- * In using the products, refer to "Handling Precautions for Terminals and Connectors" described on our website (Technical documents of Product information page).
- * RoHS2 compliance
- * Dimensional unit: mm
- * Contact JST for details.

Standards

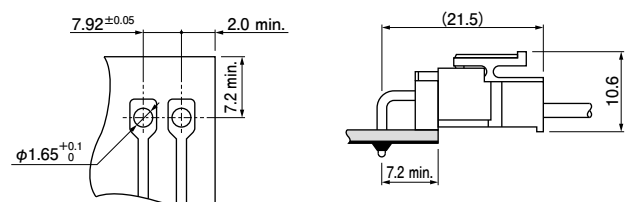
- Recognized E60389
- Certified LR20812
- R75122

PC board layout and Assembly layout

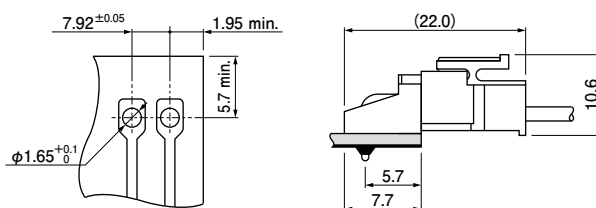
Top entry type



Side entry type



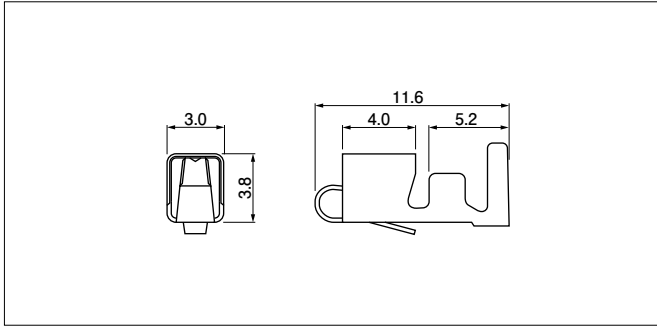
Side entry type with PCB stabilizer



- Note: 1. The above figure is the figure viewed from soldering side.
2. Hole dimensions differ according to the type of PC board and piercing method. The dimensions above should serve as a guideline.
Contact JST for details.

VA CONNECTOR

Contact



| Model No. | Applicable wire | | Insulation O.D. (mm) | Q'ty/reel |
|--------------|-----------------|-------|----------------------|-----------|
| | mm ² | AWG # | | |
| SVA-41T-P1.1 | 0.5~0.83 | 20~18 | 1.9~3.7 | 3,500 |

Material and Finish

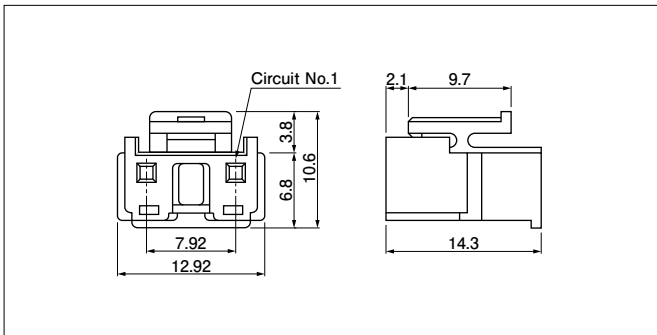
Phosphor bronze, tin-plated (reflow treatment)

RoHS2 compliance

| Contact | Crimping machine | Applicator | | |
|--------------|------------------|------------------|--------------|----------------------------|
| | | Crimp applicator | Dies | Crimp applicator with dies |
| SVA-41T-P1.1 | AP-K2N | MKS-L | MK/SVA-41-11 | APLMK SVA41-11 |

Note: Contact JST for fully automatic crimping applicator.

Housing



| No. of circuits | Model No. | Q'ty/bag |
|-----------------|-----------|----------|
| 2 | VAR-2 | 1,000 |

Material and Finish

PA 6, UL94V-0, natural (white)

RoHS2 compliance

<For reference> As the color identification, the following alphabet shall be put in the underlined part. For availability, delivery and minimum order quantity, contact JST.

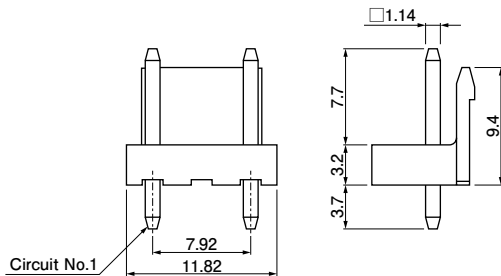
ex. **VAR-2-oo**

(blank)...natural (white)

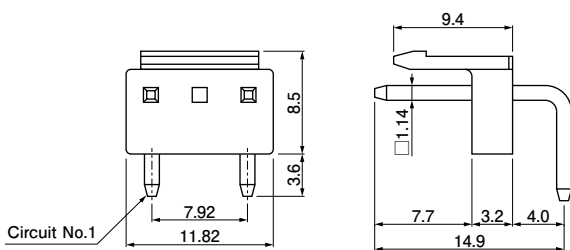
K...black R...red E...blue Y...yellow M...green N...brown

Locking header

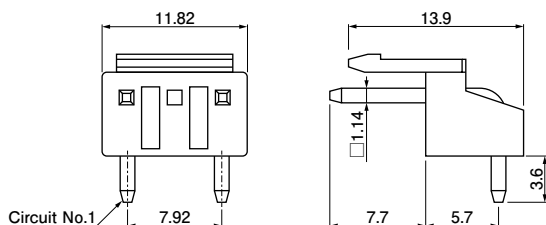
Top entry type



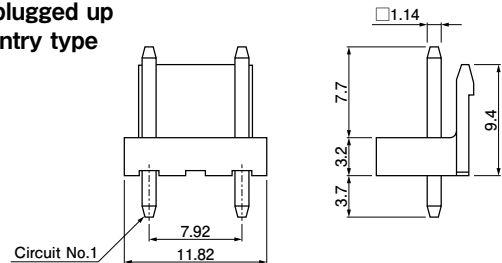
Side entry type



Side entry type with PCB stabilizer



With plugged up Top entry type



| | No. of circuits | Model No. | Q'ty/box |
|-------------------------------------|-----------------|-----------|----------|
| Top entry type | 2 | B2P3-VH | 1,000 |
| Side entry type | 2 | B2P3S-VH | 500 |
| Side entry type with PCB stabilizer | 2 | S2P3-VH | 500 |

With plugged up

| | No. of circuits | Model No. | Q'ty/box |
|----------------|-----------------|-----------|----------|
| Top entry type | 2 | *B2P-VA | 1,000 |

Material and Finish

Post: Brass, copper-undercoated, tin-plated (reflow treatment)
Wafer: PA 66, UL94V-0, natural (white)

RoHS2 compliance This product displays (LF)(SN) on a label. Note: *Marked products are not CSA/TÜV approved.

<For reference> As the color identification, the following alphabet shall be put in the underlined part. For availability, delivery and minimum order quantity, contact JST.

ex. **B2P3(S)-VH-oo**

(blank)...natural (white)

BK...black R...red BL...blue Y...yellow M...green N...brown
O...orange PK...pink P...purple H...gray

ex. **S2P3-VH-oo**

(blank)...natural (white)

BK...black R...red Y...yellow M...green