



- High load voltage - up to 480VAC
- 4 - 32VDC or 90 - 250VAC control voltage
- Zero cross-over or Random switching
- LED input indicator
- Finger protected terminals
- RoHS Compliant
- UL approved

## Output (load)

Load type		SPST-NO (1 N/O) Resistive
Load current		10A, 20A, 25A, 30A, 40A, 60A, or 80A
Load switching voltage	AC V <sub>rms</sub>	24 - 240V, 40 - 480V
Maximum peak voltage	AC V <sub>pk</sub>	900V
Switch type		Zero Cross (std) or Random
On voltage drop	V AC	1.5V
Leakage current (off state)	mA	≤ 7mA

## Input (control)

Control voltage	V	D: 4 - 32VDC or A: 90 - 250VAC
Control current	mA	< 20mA
Turn-on voltage	V <sub>min</sub>	D: 3VDC / A: 90VAC
Turn-off voltage	V	D: 1VDC / A: 10VAC

## Insulation

Insulation resistance		≤ 500MΩ at 500VDC, 50%RH
Dielectric strength	V AC	≥ 2500V

## General Data

Operating time	mS	≤ 10ms
Release time	mS	≤ 10ms
Dimensions	L x W x H	60 x 45.1 x 27.5mm
Weight		98g
Ambient temperature	storage	-30 to 80°C
	operating	-30 to 80°C (with derating). A heat sink may be required.

## Ordering Code

HHG1-1 / 032 F - 22 - 40 Z

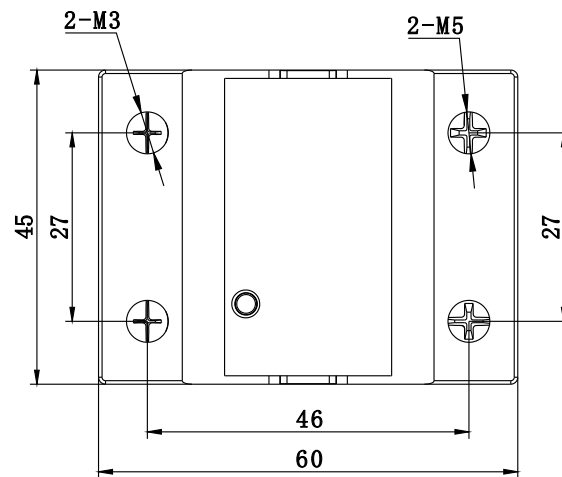
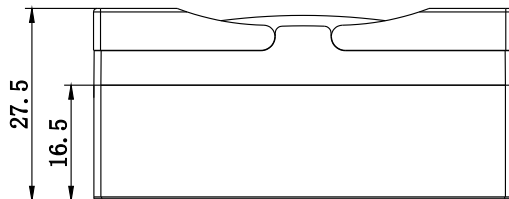
Z - Zero Cross-over switching  
R - Random switching (to special)

10,25,40,60, or 80 Amps

22 = 30 to 240VAC  
38 = 40 to 440VAC

032 - 3~32VDC  
250 - 90~250VAC

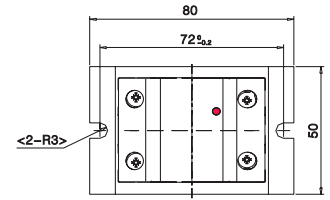
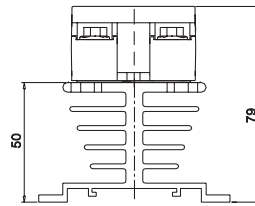
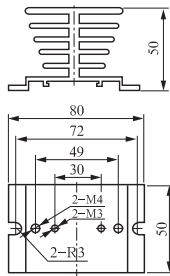
## Dimensions



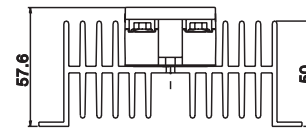
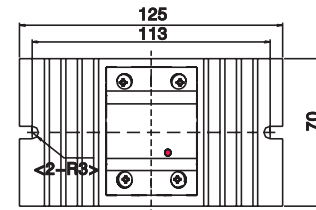
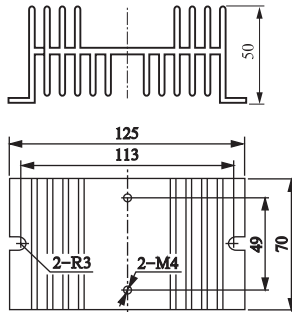
Dimensions in mm

## Heat Sinks

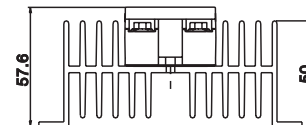
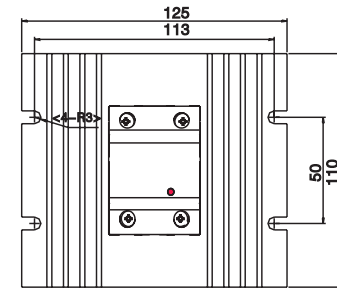
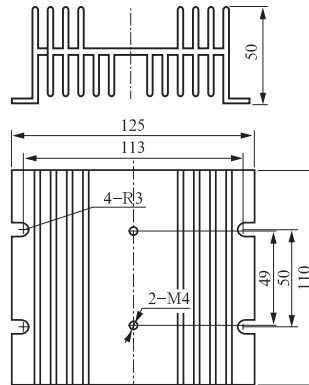
HH-060



HH-061



HH-062



DHS04

