

REV	ECN	DESCRIPTION	DRFT	DATE
-----	-----	-------------	------	------

General information:

- 1.Dimension shall be interpreted per ASME Y14.5-2009
- 2.Tightening torque : /
- 3.Operating temperature: -40°C~+125°C
- 4.Rated current:10A
- 5.Rated voltage:250V
- 6.Rated surge voltage : 4KV
- 7.Conductor cross section : 0.14-2.5mm²/AWG 26-14
- 8.Grounding footline diameter: 0.5-2.5mm²/AWG 20-14
- 9.Tightening torque grounding foot:1.2N.m
- 10.Assembly tightening moment: 0.6N.m
- 11.Printing coincidence IEC61984
- 12.RoHS2.0 Compliance
- 13.Undimensioned Tolerances:

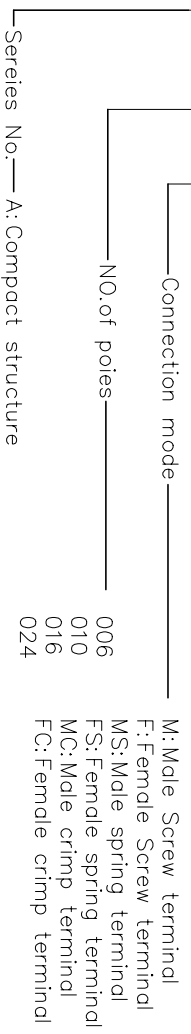
Pitch Range	In		mm		mm
	Over	TO	Over	TO	
6	10	TO	30	60	Over 0.1/10
10	24	TO	60	100	≤
10	30	TO	100	150	
±0.15±0.20±0.30±0.30±0.50±0.70±1.00±1.30					±2°

Material:

Insulator	PC	UL94,V0
Pin insertion	COPPER ALLOY	SILVER,PLATED
Screw	Carbon steel	ZINC,PLATED

HOW TO ORDER:

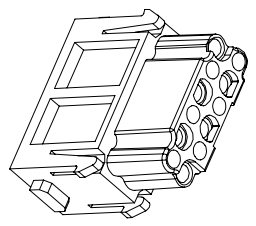
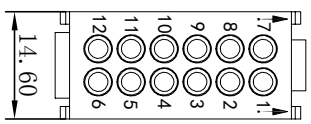
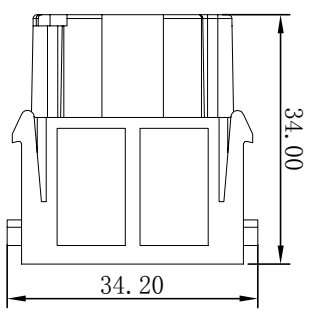
SMD-012-FC



- A: Compact structure
- E: Standard structure
- EE: Widen standard structure
- D: High Density structure
- DD: Widen High Density structure
- K: Composite structure
- SB: Large current
- Q: Micro drive
- M: Module combination



LOGO



DETACHED LISTS	
THIS DRAWING IS A CONTROLLED DOCUMENT.	NINGBO SUPU ELECTRONICS CO., LTD. 宁波速普电子有限公司
AP/VD:	NAME:
CHK:	SMD-012-FC
DWN: TIANCHIQ4/25/19	DRAWING NO.: SP739129016
THIRD ANGLE PROJECTION	CUSTOMER COPY
	Supu reserves the right of product modification and engineering change of the design/AM (INCH)
	DO NOT SCALE DRAWING
REV	TO-1
SHEET	1/1
SCALE	1:1