

Data sheet

Commercial Art.No.: 76.320.0753.0

Bottom MIN GUT GA 7 25 P

Bottom-base revos MINI made of Plastik, ankled, open, low version



Commercial Art.No.	76.320.0753.0
EAN	4015573230866
Order Unit	10

Technical data

General

Housing material	Plastic
Color	white
Surface	Untreated
Degree of protection (IP)	IP54
UV resistant	yes
Inflammability class of insulation material acc. with UL94	V0
Operating temperature range min.	-40 °C
Operating temperature range max.	120 °C

Model

Construction	3
Locking mechanism	Single locking lever
Cable entry	None
Type of cable	None
With cable screw gland	No
Thread size PG	
Hinged lid	No
EMC-version	No
Length	40 mm
Width	36.5 mm
Height	23 mm

Classification

ECLASS 11	
-----------	--

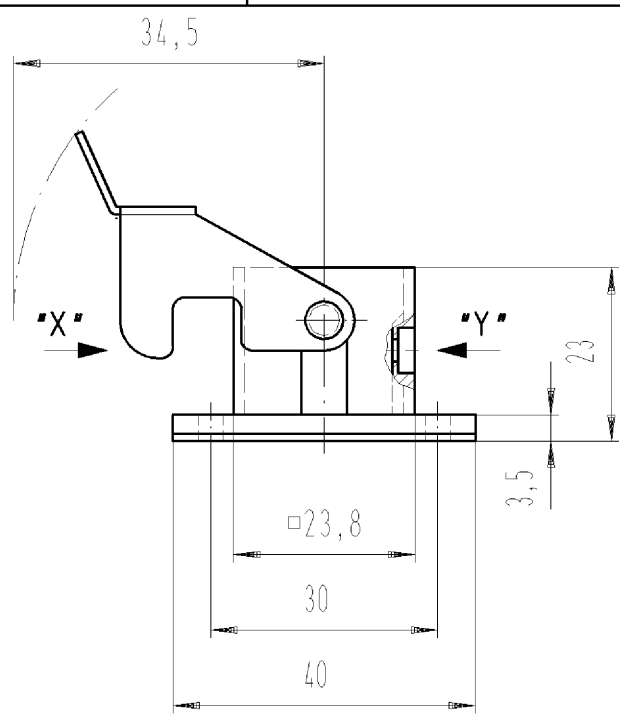
ECLASS 8.1	27440202
ETIM 7.0	EC000437
ETIM 6.0	EC000437
ETIM 5.0	EC000437
ETIM 4.0	EC000437
ETIM 3.0	EC000437

Fits with

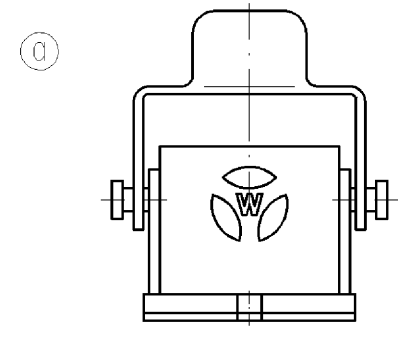
Commercial Art.No.:	Article-type description:	Description:
73.300.0353.0	Female insert MIN BUS 3 2,5 40	Female insert revos MINI, 3-poles, rated current: 10A, rated voltage: 250/400 V, with tin-plated contacts
73.310.0353.0	Male insert MIN STS 3 2,5 40	Male insert revos MINI, 3-poles, rated current: 10 A, rated voltage: 250/400 V, with tin-plated contacts
73.300.0453.0	Female insert MIN BUS 4 2,5 25 AG	Female insert revos MiNI, 4-poles, rated current: 10A, rated voltage: 400V, with silver-plated contacts
73.310.0453.0	Male insert MIN STS 4 2,5 25 AG	Male insert revos MiNI, 4-poles, rated current: 10A, rated voltage: 400V, with silver-plated contacts
73.700.0753.0	Female insert MIN BUC 7 25	Female insert revos MINI, 7-poles, crimp connection, rated current: 10A, rated voltage: 400V, with silver-plated contacts
73.710.0753.0	Male insert MIN STC 7 25	Male insert revos MiNI, 7-poles, crimp connection, rated current: 10A, rated voltage: 400V, with silver-plated contacts
73.700.0853.0	Female insert MIN BUC 8 05	Female insert revos MiNI, 8-poles, crimp connection, rated current: 10A, rated voltage: 50V, with silver-plated contacts
73.710.0853.0	Male insert MIN STC 8 05	revos MINI 8 pole, male insert, 50V/10A, crimp connection
73.700.1253.0	Female insert MIN BUC 12 40 AG	revos MINI Q12, 12-pole + ground, female insert, IEC 690V/10A, UL 600V/10A, crimp connection
73.710.1253.0	Male insert MIN STC 12 40 AG	revos MINI Q12, 12-pole + ground, male insert, IEC 690V/10A, UL 600V/10A, crimp connection
73.700.0553.0	Female insert MIN BUC 5 25 AG	Female insert revos MiNI, 5-poles, crimp connection, rated current: 16 A, rated voltage: 400V, with silver-plated contacts
73.710.0553.0	Male insert MIN STC 5 25 AG	Male insert revos MiNI, 5-poles, crimp connection, rated current: 16 A, rated voltage: 400V, with silver-plated contacts

A

These dimensions will be especially checked at delivery
 Only inspection dimensions
 With /E marked dimensions are only valid for internal use



Bedruckung/printing für Teile-Nr./for part-no. 76.320.0753.0
 Ansicht in Pfeilrichtung / view in arrow direction

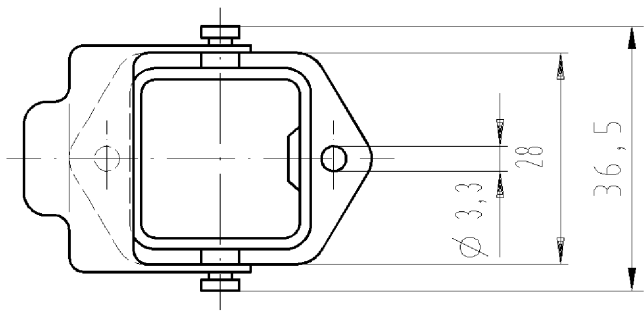


Weitergabe sowie Vervielfältigung dieses Dokuments, Verwertung und Mitteilung seines Inhalts sind verboten, soweit nicht ausdrücklich gestattet. Sowohl die Reproduktion, Distribution und Utilization of this document as well as the communication of its contents to others without express authorization is prohibited.

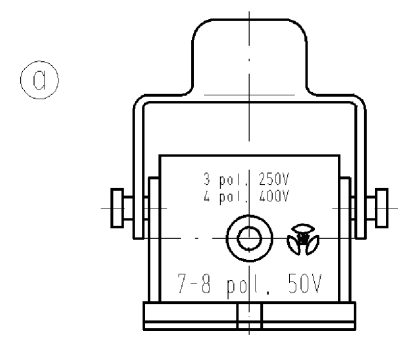
B

C

Diese Maße werden bei Abnahme besonders geprüft
 Ausschließlich Prüfmaße
 Mit /E gekennzeichnete Maße sind nur für interne Zwecke gültig



Bedruckung/printing für Teile-Nr./for part-no. 76.320.0729.0
 Ansicht in Pfeilrichtung 'Y' / view in arrow direction 'Y'



weitere Daten siehe Katalog
 further data see catalog

D

E

Teile - Nr. part - no.	Material/Farbe material/colour
76.320.0753.0	PA 66 GF30 UL94-V0 - weiß/white
76.320.0729.0	Zinkdruckguß/zinc diecasting

Tolerierung nach DIN 7167/Tolerance system acc. to DIN 7167. (This DIN-standard describes the envelope principle. According to the envelope principle the deviations of form and parallelism are limited by the size tolerances). ja/yes Stoffverbots- und Deklarationsliste nach UU-TQM-05/03 ist einzuhalten. Conformity with Wieland document UU-TQM-05/03 (list of prohibited / declarable hazardous substances) to be declared!

Freitoleranz nach General tolerance CAD - Zeichnung, keine manuellen Änderungen CAD - drawing, no manual modifications allowed 1.Verwendung: - First Use: Blatt: 1 von 1 Sheet: 1 of 1

Werkstoff/Material	2003	Tag/Date	Name	Zeichnung Nr./Drawing No.	Index
	gezeichnet drawn	11.07.	Bauer F.		
Maßstab/Scale	geprüft checked	-	-	T	76.320.0753.0 01K a
	Normgepr. Stand. check	-	-		
Maße in mm/Dimensions are in mm					
Vol.	mm ³	Ofl./Surf.	mm ²	Ersatz für/Replacement for: -	
a	26.09.2008/ Datum / Blatt Date / Sheet	wieland	Type	Benennung/Tittle	
			Elektrische Verbindungen	GEHAEUSE_UNTERTE IL	
Änderung/Revision				7-polig offen OPEN HOUSING WITH LOCKING LEVER 7-pole	

F

763200753001K_4 CADW1044_treschan 2008-09-26T09:12:24 1.000