

Data sheet

Commercial Art.No.: 96.031.4553.0

Connector RST20I3S B1 ZR3 GL

RST20i3 connector, 3 pole, female, screw connection, application 250V with PE, 20A, for cable diameters 14-18mm, coding color light grey, color of housing light grey



Commercial Art.No.	96.031.4553.0
EAN	4015573895041
Order Unit	1

Certificates / Approvals



Technical data

General

Rated current	20 A
Rated voltage	250 V
Rated impulse voltage	4 kV
strain relief	yes
Pollution degree	3
Lockable	self-locking (unlocking by tool)
Color of coding/ contact carrier	light grey
Marking of poles	L, N, PE
Color of housing inclusive strain relief	light grey

Connection Data

Cable diameter max.	18 mm
Cable diameter min.	13 mm
Connection cross section solid mm ² max.	6 mm ²
Connection cross section solid mm ² min.	0.75 mm ²
Connection cross section solid AWG min.	16 AWG
Connection cross section solid AWG max.	10 AWG
Connection cross section fine stranded mm ² max.	6 mm ²
Connection cross section fine stranded mm ² min.	0.75 mm ²
Terminations per pole	1
Connection cross section stranded mm ² min.	0.75 mm ²
Connection cross section stranded mm ² max.	6 mm ²
Connection cross section stranded AWG min.	16 AWG
Connection cross section stranded AWG max.	10 AWG
sheath strip length	37 mm
Wire strip length	8 mm

Model

Model	female
Connection type	screw connection
Degree of protection (IP)	IP66/68 (3m;2h) /IP69

Material

Housing material	Polyamide
halogen free	yes
Contact material	CuZn
Fire load	0.344 kWh
Insulation components continuous temperature	100 °C
Surface finish	Silver-plated

Dimensions

Length	96 mm
Width	35.4 mm
Height	35.4 mm

Classification

ECLASS 11	
ECLASS 8.1	27440605
ETIM 7.0	EC002560
ETIM 6.0	EC002560
ETIM 5.0	EC002560
ETIM 4.0	EC002560

Note

Note	RST® terminals with screw clamping allow the connection of conductors without special preparation (without ferrules) according to EN 60999-1.
------	---

Product compliance

ROHS conformity status	Compliant/Exempted
ROHS exceptions	III-6(c)
REACH-SVHC conformity status	Duty-To-Declare
REACH-SVHC substances	Lead
REACH-SVHC CAS numbers	7439-92-1

Accessories

Commercial Art.No.:	Article-type description:	Description:
99.413.6205.2	Cover for female connector GL	RST20i3/2 cover piece, for covering unused female connectors, with fastening belt, color light grey
Z5.564.4553.0	Cover for female connector GL	RST20i3/2 cover piece, for covering unused female connectors, color light grey

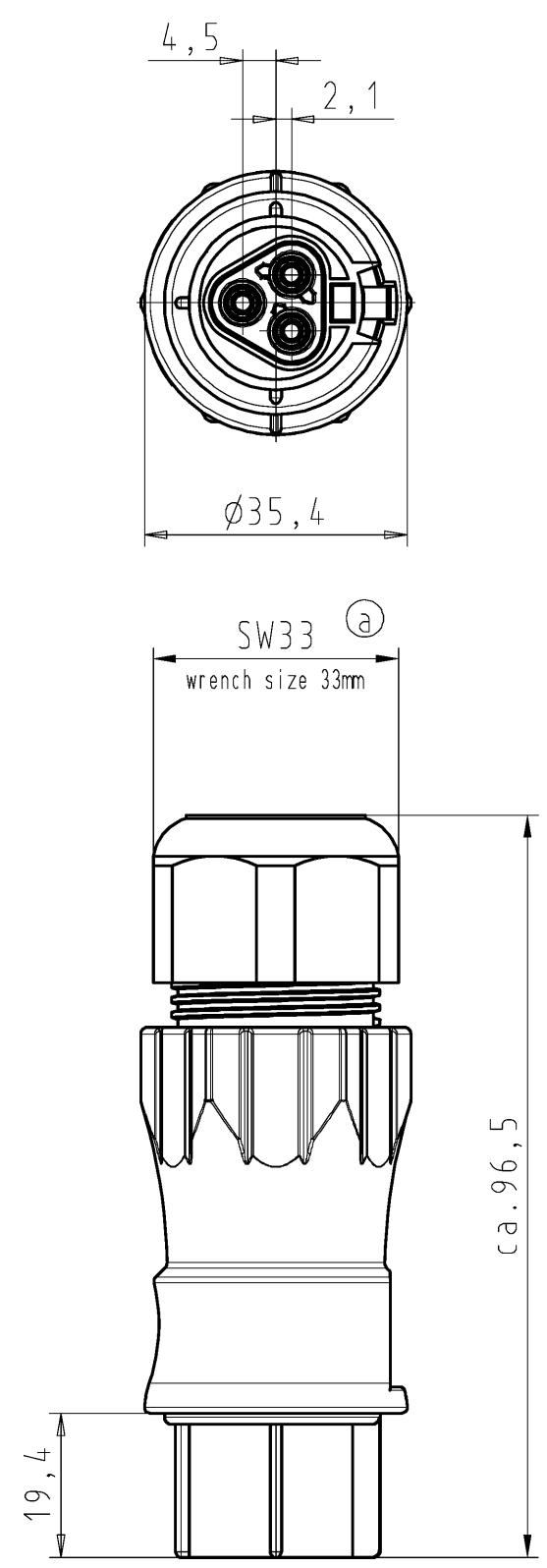
Fits with

Commercial Art.No.:	Article-type description:	Description:

96.030.0153.0	Distributor RST20i3V 3P1 F V GL	RST20i3 distribution block, 3 pole, application 250V with PE, 20A, 1 input and 3 outputs, with fastening option, coding color light grey, color of housing light grey
96.233.1030.0	Cable assembly RST20i3K1BS 25 10GL	RST20i3 extension cable female - male, 3 pole, assembled with shrinkage tube, application 250V with PE, 20A, cable type H07RN-F, length 1.0m, cross section 2.5mm ² , coding color light grey
96.032.4553.0	Connector RST20i3S S1 ZR3 V GL	RST20i3 connector, 3 pole, male, screw connection, application 250V with PE, 20A, for cable diameters 14-18mm, coding color light grey, color of housing light grey
96.032.5053.0	Device connector RST20i3S S1 M01V GL	RST20i3 device connector M25, 3 pole, male, screw connection, application 250V with PE, 20A, coding color light grey
96.032.6153.0	Device connector RST20i3S S1 M03V GL	RST20i3 device connector M16, 3 pole, male, screw connection, modular, application 250V with PE, 20A, coding color light grey, color of housing light grey
96.032.6053.0	Device connector RST20i3S S1 M00V GL	RST20i3 device connector M20, 3 pole, male, screw connection, modular, application 250V with PE, 20A, coding color light grey, color of housing light grey
96.034.6053.0	Device connector RST20i3S S1 M90V GL	RST20i3 device connector (90° angled) M20, 3 pole, male, screw connection, modular, application 250V with PE, 20A, coding color light grey, color of housing light grey
96.036.6153.0	Device connector RST20i3S S1 M13V GL	RST20i3 device connector (7° angled) M16, 3 pole, male, screw connection, modular, application 250V with PE, 20A, coding color light grey, color of housing light grey

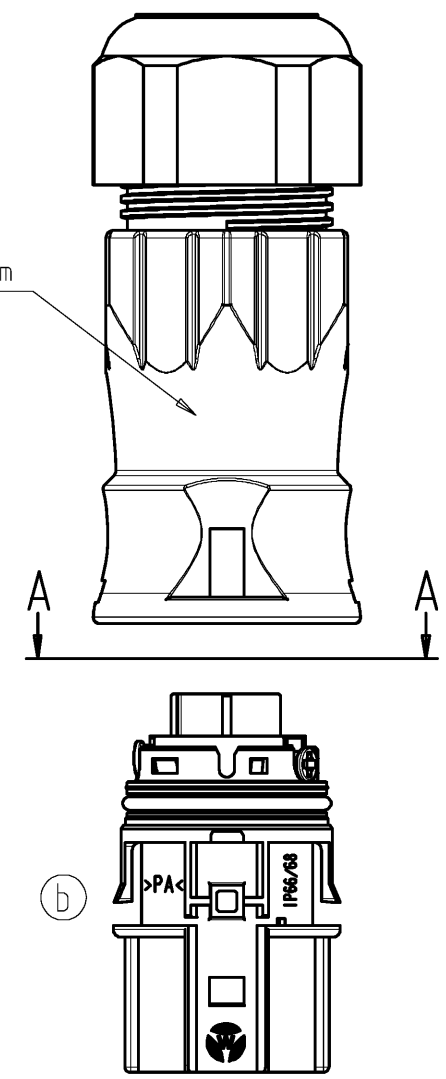
These dimensions will be especially checked at delivery
Only inspection dimensions
With ±E marked dimensions are only valid for internal use

Diese Maße werden bei Abnahme besonders geprüft
Ausschließlich Prüfmaße
Mit ±E gekennzeichnete Maße sind nur für interne Zwecke gültig



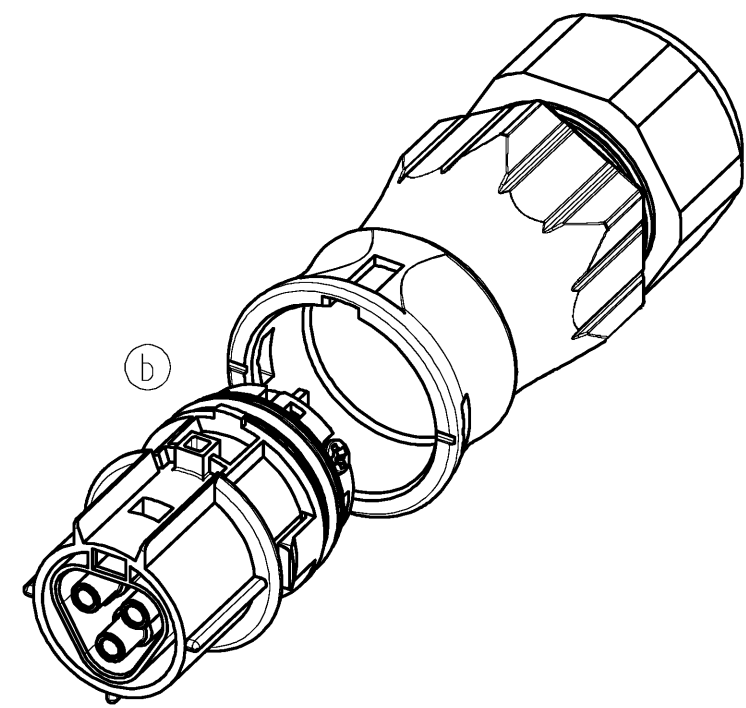
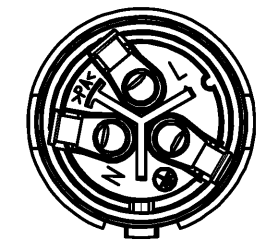
Auslieferungszustand
delivery status

for cable diameter 14-18mm
Kabeldurchm. 14-18mm



Verpackungseinheit: je 100 Stück
packaging unit: per 100

A-A



Weitergabe sowie Vervielfältigung dieses Dokuments, Verwertung und Mitteilung seines Inhalts sind verboten, soweit nicht ausdrücklich gestattet. Die Reproduktion, Distribution und Nutzung dieses Dokuments sowie die Kommunikation mit Dritten ohne schriftliche Genehmigung ist untersagt.

Tolerierung Size ISO 14405 (E)/Tolerance system Size ISO 14405 (E). (This ISO-standard describes the envelope principle. According to the envelope principle the deviations of form and parallelism are limited by the size tolerances).		nein/no <input checked="" type="checkbox"/> Stoffverbots- und Deklarationsliste nach WN 5020.010 ist einzuhalten. Conformity with Wieland document WN 5020.010 e (list of prohibited / declarable hazardous substances) to be declared!	
Freitoleranz nach General tolerance		CAD - Zeichnung, keine manuellen Änderungen CAD - drawing, no manual modifications allowed	
1. Verwendung: First Use:		Blatt: 1 von 1 Sheet: 1 of 1	
Zeichnung Nr./Drawing No.		Index	
T 96.031.4553.0 01K		b	
Maße in mm/Dimensions are in mm			
Ersatz für/Replacement for: -		Type	
Benennung/Title		BUCHSENTE IL MIT ZUGENTLASTUNG	
female connector with cord grip		Schraubanschluss ohne Drahtschutz/screw-connection without wire protection	
2006 Tag/Date		Name	
gezeichnet drawn 16.02. Kneitz			
geprüft checked - -			
Normgepr. Stand. check - -			
b 15.12.2015/ a 20.02.2006/ Index Datum / Blatt Date / Sheet		www.wieland-electric.com	
Änderung/Revision			

Teile-Nr./ part-nr.	Farbe:/ color:	Type
96.031.4553.1	schwarz, ähnl. RAL 9005/ black, similar to RAL 9005	RST2013S B1 ZR3 SW
96.031.4553.0	lichtgrau, ähnl. RAL 7035/ lightgrey, similar to RAL 7035	RST2013S B1 ZR3 GL