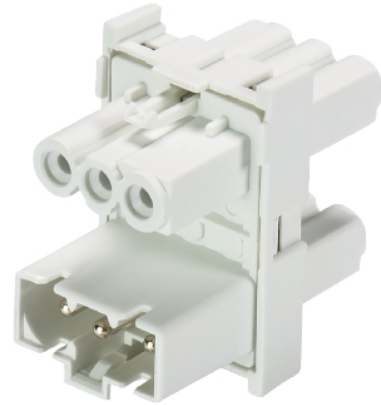


## Data sheet

Commercial Art.No.: 91.030.4953.0

Distributor GST15i3V 3P1H W WS

GST15i3 H distributor, 3 pole, 1 input 3 outputs, with mounting option on separate mounting plate, coding mains 250 V, 16 A, coding color white



Commercial Art.No.	91.030.4953.0
EAN	4049088018664
Order Unit	1

Certificates / Approvals



## Technical data

### General

Rated current	16 A
Rated voltage	250 V
Rated impulse voltage	4 kV
Pollution degree	2
Mechanical coding	Code 1
Lockable	self-locking (unlocking by tool)
Color of coding/ contact carrier	white
Marking of poles	L, N, PE

### Model

Number of inputs	1
Number of outputs	3
Type of fastening	No
Degree of protection (IP)	IP20
Type of distributor	H-distributor

### Material

Housing material	Polyamide
halogen free	yes
Contact material	CuZn
Fire load	0.064 kWh
Insulation components continuous temperature	100 °C

Surface finish	Silver-plated
----------------	---------------

#### Dimensions

Length	36.2 mm
Width	21.6 mm
Height	33.2 mm

#### Classification

ECLASS 11	
ECLASS 8.1	27440603
ETIM 7.0	EC002567
ETIM 6.0	EC002567
ETIM 5.0	EC002567
ETIM 4.0	EC002567

#### Product compliance

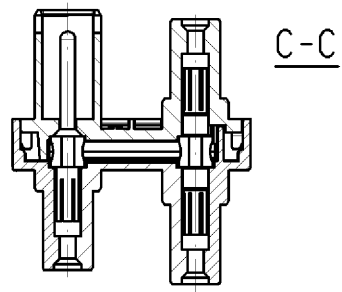
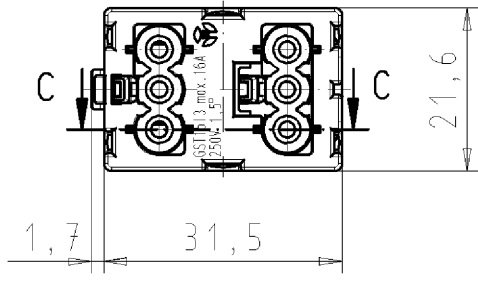
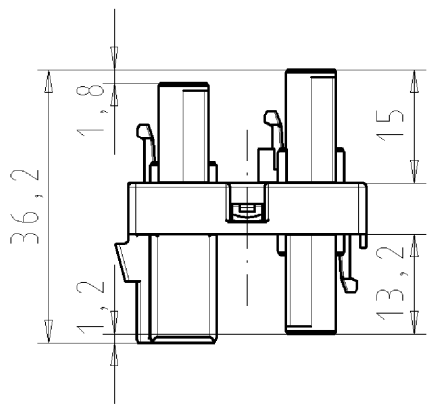
ROHS conformity status	Compliant/Exempted
ROHS exceptions	III-6(c)
REACH-SVHC conformity status	Duty-To-Declare
REACH-SVHC substances	Lead
REACH-SVHC CAS numbers	7439-92-1

#### Accessories

Commercial Art.No.:	Article-type description:	Description:
07.418.9153.1	Supporting plate GST15 h-/H-VT	gesis®-Mounting plate for GST15 h- and H-distributors. Wall mounting with screws; fixing on cable trays with moulded expanding rivets; lying distributor mounting

These dimensions will be especially checked at delivery  
 Only inspection dimensions  
 With /E marked dimensions are only valid for internal use

Diese Maße werden bei Abnahme besonders geprüft  
 Ausschließlich Prüfmaße  
 Mit /E gekennzeichnete Maße sind nur für interne Zwecke gültig



Weitere Daten siehe Katalog  
 further data see catalog

Teilenummer part number	Farbe: colour:	Typ type
91.030.4953.0	weiß/white, ähnl./similar RAL 9003	GST1513V 3P1H W WS
91.030.4953.1	schwarz/black, ähnl./similar RAL 9005	GST1513V 3P1H W SW

Tolerierung nach DIN 7167/Tolerance system acc. to DIN 7167. (This DIN-standard describes the envelope principle. According to the envelope principle the deviations of form and parallelism are limited by the size tolerances). ja/yes  Stoffverbots- und Deklarationsliste nach UU-TQM-05/03 ist einzuhalten. Conformity with Wieland document UU-TQM-05/03 (list of prohibited / declarable hazardous substances) to be declared!

Freitoleranz nach General tolerance CAD - Zeichnung, keine manuellen Änderungen CAD - drawing, no manual modifications allowed 1.Verwendung: First Use: Blatt: 1 von 1 Sheet: 1 of 1

/		Werkstoff/Material		2008	Tag/Date	Name	Zeichnung Nr./Drawing No.		Index
/		Maßstab/Scale		gezeichnet drawn	13.05.	Schmitt J.	T 91.030.4953.0 01K		
/ 1:1				geprüft checked	-	-	Maße in mm/Dimensions are in mm		
/ Vol. mm³		Ofl./Surf. mm²		Ersatz für/Replacement for: -					
/		wieland		Type		Benennung/Title			
/						VERTEILER			
Index Datum / Blatt Date / Sheet		Elektrische Verbindungen				für/for GST1513 distributor			
Änderung/Revision									

Weitergabe sowie Vervielfältigung dieses Dokuments, Verwertung und Mitteilung seines Inhalts sind verboten, soweit nicht ausdrücklich gestattet. Die Reproduktion, Distribution und Utilization of this document as well as the communication of its contents to others without express authorization is prohibited.