



## AC INLET Series

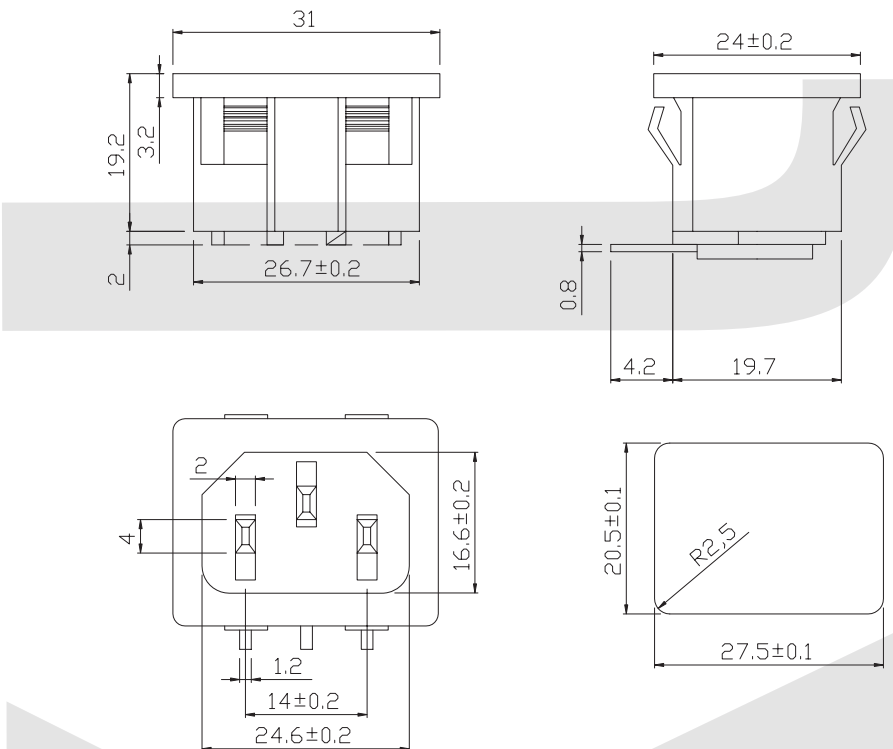
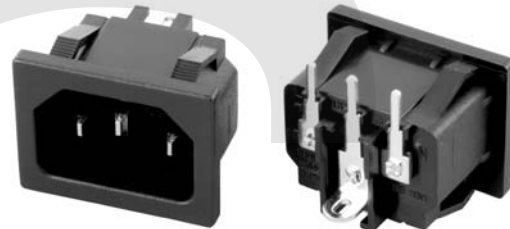
KLS1-AS-301-4 IEC AC INLET Series

### SPECIFICATION:

Current Rating: 250V AC 10A  
 Contact Resistance: 30mΩ Max.  
 Insulator Resistance: 100MΩ Min. at DC 500V  
 Dielectric withstand Strength test: 2000VAC / 1 minute  
 between each terminals  
 Insertion and Removal force: 5 ~ 40N  
 Operating Temperature: -45°C~+105°C  
 Electrical Life: 5000 cycles Min.

### Material:

Insulator: PBT UL 94V-0 or PA66/PC UL 94V-0  
 Terminal: Brass ,plating Ni.



## ORDER INFORMATION

Product NO.: KLS1-AS-301-4

Pos. NO. \_\_\_\_\_  
 AC Inlet Type \_\_\_\_\_