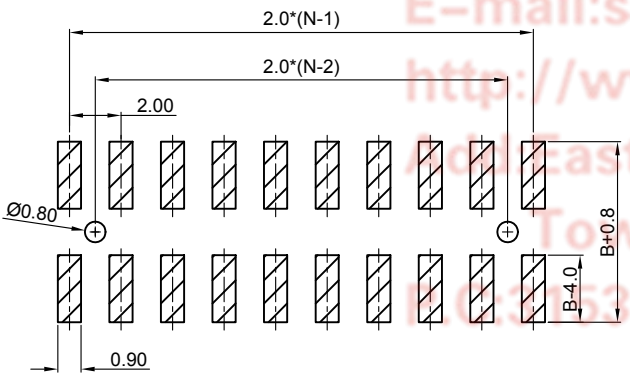
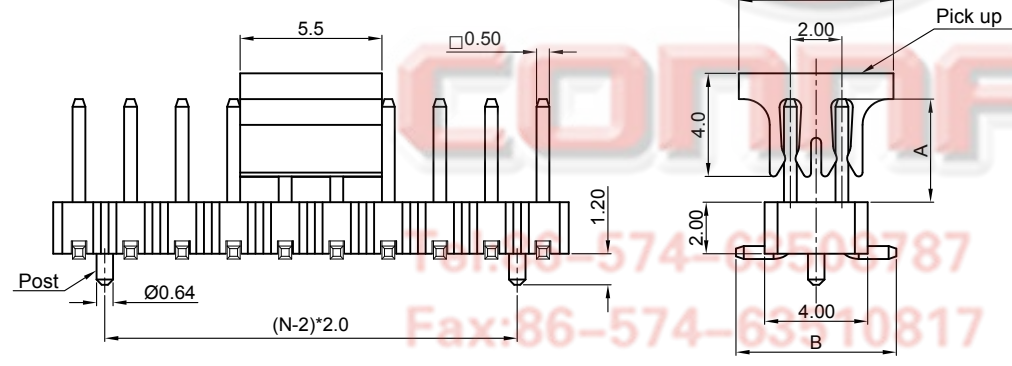
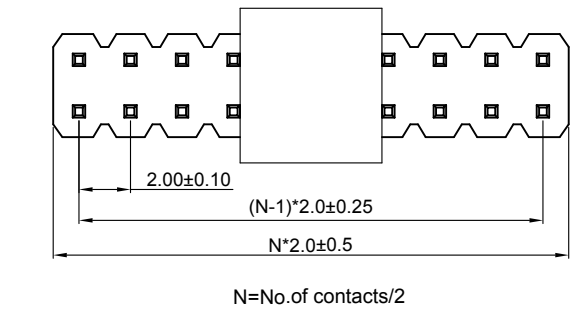


|      |     |
|------|-----|
| Dept | Qty |
| DC   | 1   |
| ED   | 1   |
| IE   | 1   |
| ISO  | 1   |
| PD   | 1   |
| R&D  | 1   |
| SD   | 1   |
| QA   | 1   |
| QC   | 1   |
| QF   | 1   |

| REV. | DESCRIPTION    | DRAWN           | CHECKED | APPROVED      |
|------|----------------|-----------------|---------|---------------|
| A    | NEW RELEASE    | LJC 05/08/05'   |         | LJC 05/08/05' |
| B    | PICK UP CHANGE | JLZ 07/09/15'   |         | LJC 07/09/15' |
| E    | DRAWING UPDATE | Kevin 05/12/17' |         |               |

The information provided herein is from CONNFLY Electronic Co., Ltd. and is confidential. Any disclosure to a party other than the recipient is prohibited. The intellectual properties and its rights contained herein, including but not limited to, trademarks, patents, copyrights, trade secrets, and technical know-how, are owned exclusively by CONNFLY or its affiliates. Unauthorized use or reproduction of any part of this document without the prior written permission of CONNFLY may result in legal action. CONNFLY may enforce its intellectual property rights at its own discretion, failures or delays to exercise such rights does not constitute a waiver of such rights.



| TYPE | DIM A | DIM B |
|------|-------|-------|
| 1    | 4.00  | 6.20  |
| 2    | 3.50  | 6.20  |

**Notes:**

**Specifications:**

1. Contact Resistance: 20mΩ Max.
2. Insulation Resistance: 1000MΩ Min.
3. Dielectric Withstanding Voltage: 500V AC(rms) For 1 Minute.
4. Current Rating: 1.5A.
5. Temperature: -40°C~+105°C.

**Materials:**

1. Contact Material: Copper Alloy.
2. Contact Plating: Gold Plating Over Nickel.
3. Insulator Material: High temp, Black, UL94-V0.

**Product Number Code:**

DS1025-08 - X X X X X X X - X

- Plating level  
3A: Level 3A  
B: Level B
- Dim.A B type  
1: Type 1 .....  
or A\*-B\*.\*
- Post support  
S: W/ Post  
X: W/O Post
- Packing type  
B: Tube  
R: Tape on reel  
T: Tray
- Pick up support  
S: W/ Pick up  
X: W/O Pick up
- Housing color  
B: Black
- Contact plating  
8: Full gold flash
- Connector type  
P: Plug
- No. of contacts  
2x2~2x40

Recommend PCB Layout  
(Tolerance=±0.05)

|                   |       |                        |              |
|-------------------|-------|------------------------|--------------|
| GENERAL TOLERANCE |       | ANGLE TOLERANCE        |              |
| X.                | ±0.60 | X.                     | ±5°          |
| .X                | ±0.38 | .X                     | ±3°          |
| .XX               | ±0.25 | .XX                    | ±2°          |
| DRAWING TYPE      |       | CUSTOMER               |              |
| SCALE             |       | 1:1                    | SHEET 1 OF 1 |
| DRAWING NO.       |       | C-DS1025-08-XXXXXX-X-E |              |

|            |    |                          |                            |
|------------|----|--------------------------|----------------------------|
| PROJECTION |    | TITLE                    | 2.00mm Pin Header SMT Type |
| UNITS      | mm | Double Row W/ Locate Peg |                            |
| SHEET SIZE | A4 | SERIES                   | DS1025-08 SERIES           |

晨翔电子有限公司  
CONNFLY CONNFLY ELECTRONIC CO. LTD