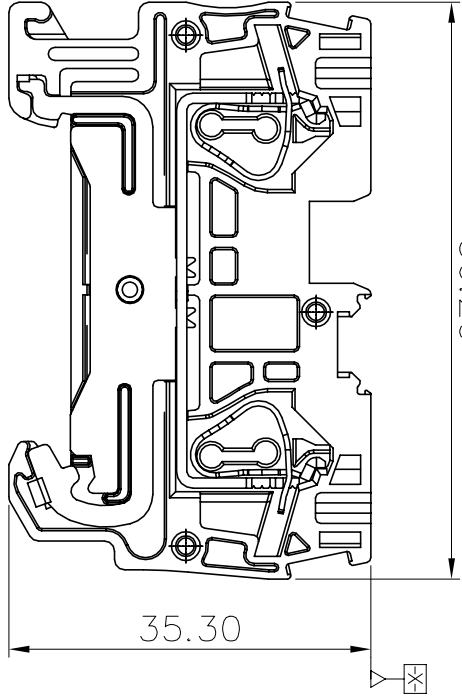
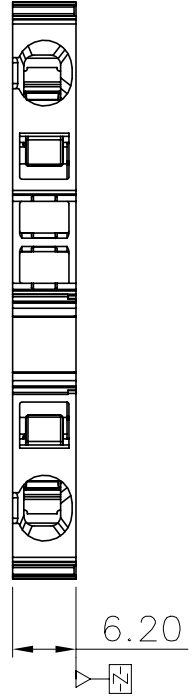


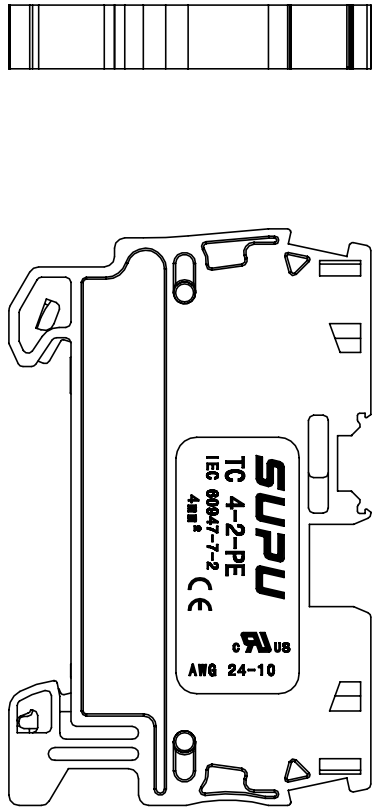
REVISION RECORD			
REV	ECN	DESCRIPTION	DATE

Transmittal, reproduction, dissemination and/or editing of this document as well as utilization of its contents and communication thereof to others without express authorization are prohibited.

未经允许禁止传输、复制、编辑该文档，以及利用其内容进行交流



- Connection method:
1. For Solid wire, peeling wire in right length, push down spring to clasp the wire.
  2. For stranded wire, connect directly after peeling in right length, or wire furred and fix in by pushing the spring.



NOTES:  
UL/CUL Standard  
1. Conductor cross section : 24~10AWG  
2. Rated Voltage/Current :

Use group	B	C	D
Rated voltage(V)	600	600	

IEC Standard  
1. Conductor cross section :

Wire range(Solid/Stranded)	0.2-4mm <sup>2</sup> Solid
Stranded with ferrules without plastic sleeve	0.2-4mm <sup>2</sup>
Stranded with ferrules with plastic sleeve	0.2-4mm <sup>2</sup>

2. Rated Voltage/Current :

Surge voltage category	III
Pollution degree	3
Rated surge voltage(KV)	8
Rated voltage(V)	800

Material:

Insulator	PA66	UL94 V-0
Conductor	Copper alloy	Sn plated
Spring	Stainless steel	
Ground Pin	Copper alloy	Sn plated

General information:  
1. Dimension shall be interpreted per ASME Y14.5-2009  
2. Stripping length : 10mm  
3. Operating temperature: -40°C~+105°C  
4. RoHS Compliance  
5. Undimensioned Tolerances:

Pitch Range	mm	Over	Over	Over	Over	Over	Over
To 6	±0.15	To 10	±0.20	To 24	±0.30	To 30	±0.30
To 10	±0.20	To 24	±0.30	To 30	±0.30	To 60	±0.50
To 24	±0.30	To 30	±0.30	To 60	±0.50	To 100	±0.70
To 30	±0.30	To 60	±0.50	To 100	±0.70	To 150	±1.00
To 60	±0.50	To 100	±0.70	To 150	±1.00	To 150	±1.30

HOW TO ORDER:

TC4-2-PE  
Series No.      Color:  
PE: Yellow and Green

订货号 Order No.	TC4-2-PE	名称 Name	TC系列笼式弹簧 4mm <sup>2</sup> 一进一出 接地端子	公差 Tolerances	表面 Surface
项目 Item	签字 Signature	图号 Drawing No.	PRM000887	版本号 Revision Number	VDI21
设计 Design	日期 Date	材料 Material	Notes	重量 Weight	比例 Scale
审核 Check	01/06/20 <sup>2</sup>	物料号 Item No.	411501204	第1页/共1页 1 of 1	1:1
工艺 Process	-	物料号 Item No.	411501204		
标准化 Unity	-				
批准 Approve	1w1				
	01/06/20 <sup>2</sup>				