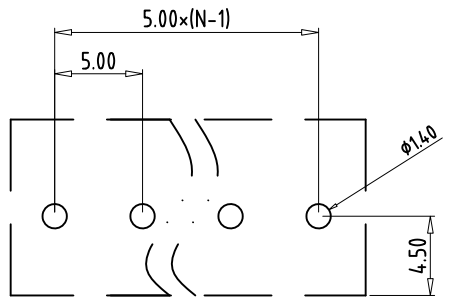


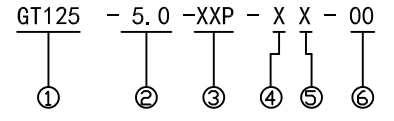
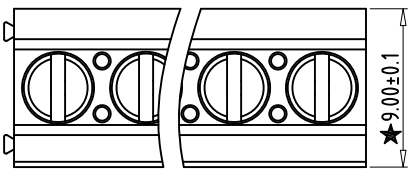
REV	CONTENT	CHK	DATE
V0.0	CONTENT	MYZ	21.06.25



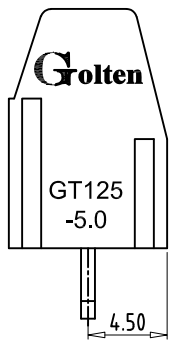
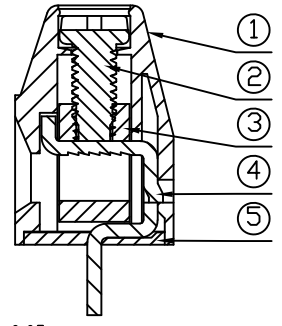
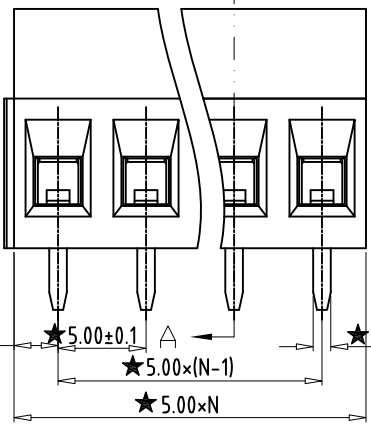
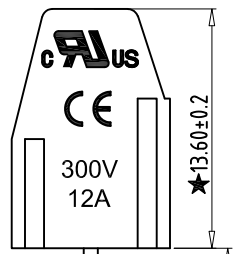
**PCB LAYOUT**

**Electrical :**

- |  |                 |                    |
|--|-----------------|--------------------|
|  | UL              | IEC                |
| 1. Rated Voltage :                       | 300V            | 250V               |
| 2. Rated Current :                       | 12A             | 18A                |
| 3. Torque Value :                        | M2.5 ,3.54Lb.in | M2.5, 0.4N.m       |
| 4. Wire Range:                           | 26-12AWG        | 2.5mm <sup>2</sup> |
| 5. Stripping Length :                    | 6-7mm           |                    |
| 6. Withstanding Voltage :                | AC2000V/1Min.   |                    |
| 7. Operating Temperature :               | -40°C~+105°C    |                    |
| 8. RoHS Compliance                       |                 |                    |
| 9. Safty Approval :                      | cULus CE        |                    |
| 10. "★" is the key quality control point |                 |                    |



- ① Series NO.    ④ 1 Single Pitch  
                      2 Double Pitch
- ② Pitch            ⑤ Color: 1 Grey  
                      2 Blue  
                      3 Black  
                      4 Green  
③ Poles            5 Orange  
                      02 02Contacts    6 Red  
                      03 03Contacts    7 Transparent  
                      ...                    8 Yellow  
                      24 24Contacts    9 White
- ⑥ Customer Request: 00—Standard



★0.80±0.05

★4.00±0.3

★1.00±0.05

**SECTION A-A**

Total Pitch Tolerances in mm										Nominal dimension range in mm										⊥	≡	-	//			
over 0	over 30	over 53	over 70	over 90	over 115	over 150	over 250	over 350	over 500	over 0	over 30	over 53	over 70	over 90	over 115	over 150	over 200	over 250	over 320	0	over 10	over 100	over 150	0	100	150
±0.18	±0.20	±0.25	±0.3	±0.35	±0.44	±0.60	±0.70	±0.85	±0.20	±0.25	±0.30	±0.35	±0.44	±0.55	±0.70	±0.80	±0.90	0.2	0.3	0.3	0.2	0.3	0.3	0.5		

5	COVER	XXXXXX	1	PA66	UL94V-0
4	PIN HEADER	XXXXXX	P	Brass	Tin Plated
3	BLOCK	XXXXXX	P	Brass	Ni Plated
2	SCREW	XXXXXX	P	Steel	Zn Plated
1	HOUSING	XXXXXX	1	PA66	UL94V-0

ITEM	NAME OF PART	NO. OF PART	Q'TY	MATERIAL	NOTE
DWG.	MYZ	DATE	21.06.25	SIZE	A4 UNITS mm SHEET/OF 1/1
CHK.		DATE		SCALE	1:1
APP.		DATE			
				NAME	GT125-5.0-XXP-XX-00
				DWGNO.	XXXX

**Golten** 宁波冠泰电子有限公司  
NINGBO GOLTEN ELECTRONICS CO., LTD.