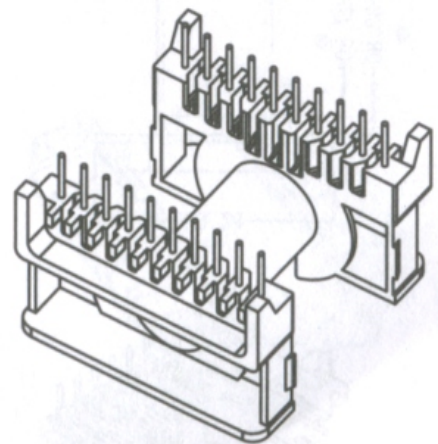
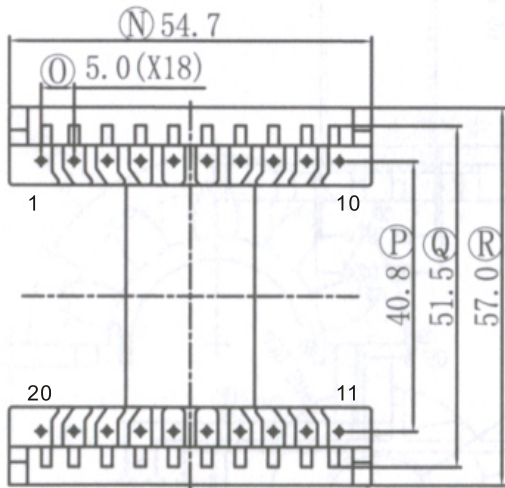
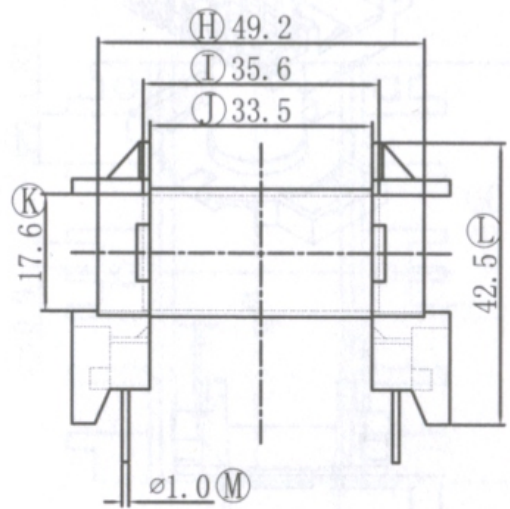
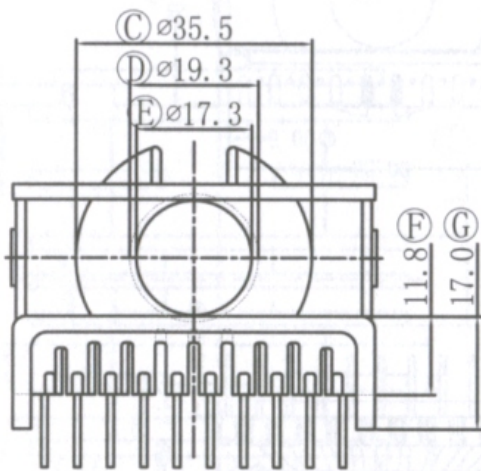
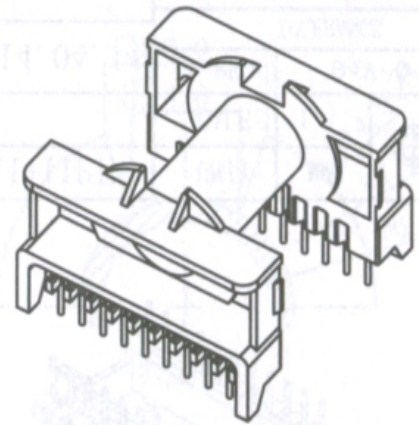
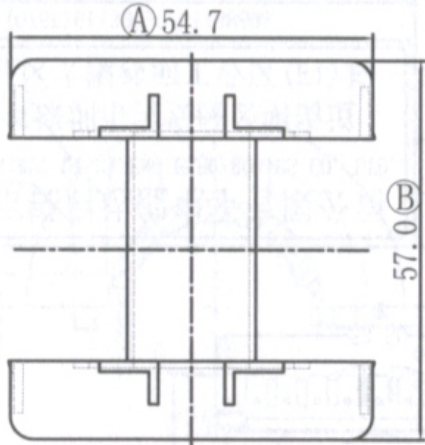


ISSUE	DESCRIPTION	DATE
A	新发行	10.01.15



	MODEL:	ETD-49 (20PIN)	UNIT:	MM	
	MATERIAL:	PHENOLIC	SCALE:	1/1	
	DRWN BY:	张林	10.01.15	UL REC:	94V-0
	TOLERANCE				
	TEL:			0<L≤4: ±0.10	PIN PITCH: ±0.2
FAX:			4<L≤16: ±0.20	THICKNESS: ±0.15	
网址:			16<L≤50: ±0.30	ANGLE: ±1°	
			50<L: ±0.40	PIN DIM: ±0.05	
	CHECK BY:	余相梅	10.01.15		
	APPROVED:	洪晓瑜	10.01.15		