

## Data sheet

Commercial Art.No.: 96.022.4053.0

Connector RST20i2S S13ZR1 V GL

RST20i3/2 connector, 2 pole, male, screw connection, application 250V, 20A, for cable diameters 6-10mm, coding color light grey, color of housing light grey



Commercial Art.No.	96.022.4053.0
EAN	4015573852235
Order Unit	1

Certificates / Approvals



LR

RINA



## Technical data

### General

Rated current	20 A
Rated voltage	250 V
Rated impulse voltage	4 kV
strain relief	yes
Pollution degree	3
Lockable	self-locking (unlocking by tool)
Color of coding/ contact carrier	light grey
Marking of poles	L, N
Color of housing inclusive strain relief	light grey

### Connection Data

Cable diameter max.	10 mm
Cable diameter min.	6 mm
Connection cross section solid mm <sup>2</sup> max.	6 mm <sup>2</sup>
Connection cross section solid mm <sup>2</sup> min.	0.75 mm <sup>2</sup>
Connection cross section solid AWG min.	16 AWG
Connection cross section solid AWG max.	10 AWG
Connection cross section fine stranded mm <sup>2</sup> max.	6 mm <sup>2</sup>
Connection cross section fine stranded mm <sup>2</sup> min.	0.75 mm <sup>2</sup>
Terminations per pole	1
Connection cross section stranded mm <sup>2</sup> min.	0.75 mm <sup>2</sup>
Connection cross section stranded mm <sup>2</sup> max.	6 mm <sup>2</sup>
Connection cross section stranded AWG min.	16 AWG
Connection cross section stranded AWG max.	10 AWG
sheath strip length	26.5 mm

Wire strip length	8 mm
-------------------	------

#### Model

Model	male
Connection type	screw connection
Degree of protection (IP)	IP66/68 (3m;2h) /IP69

#### Material

Housing material	Polyamide
halogen free	yes
Contact material	CuZn
Fire load	0.268 kWh
Insulation components continuous temperature	100 °C
Surface finish	Silver-plated

#### Dimensions

Length	79.1 mm
Width	34.6 mm
Height	34.6 mm

#### Classification

ECLASS 11	
ECLASS 8.1	27440605
ETIM 7.0	EC002560
ETIM 6.0	EC002560
ETIM 5.0	EC002560
ETIM 4.0	EC002560

#### Note

Note	RST® terminals with screw clamping allow the connection of conductors without special preparation (without ferrules) according to EN 60999-1.
------	-----------------------------------------------------------------------------------------------------------------------------------------------

#### Product compliance

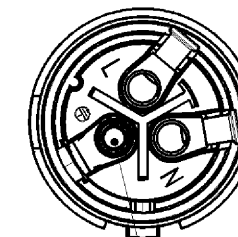
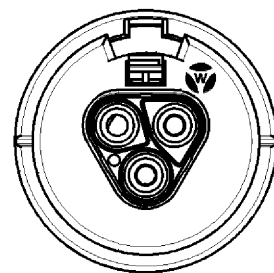
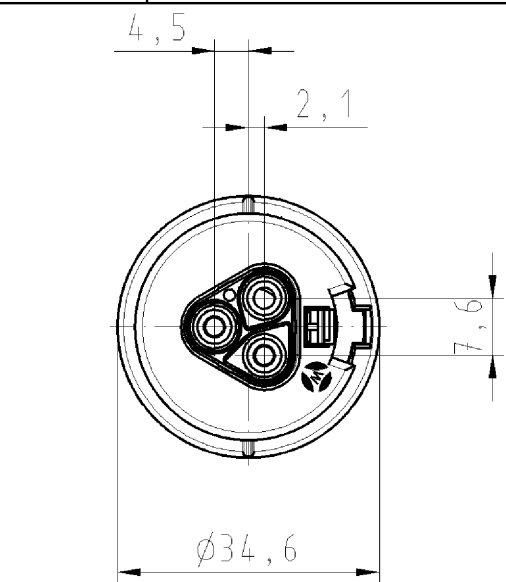
ROHS conformity status	Compliant/Exempted
ROHS exceptions	III-6(c)
REACH-SVHC conformity status	Duty-To-Declare
REACH-SVHC substances	Lead
REACH-SVHC CAS numbers	7439-92-1

#### Accessories

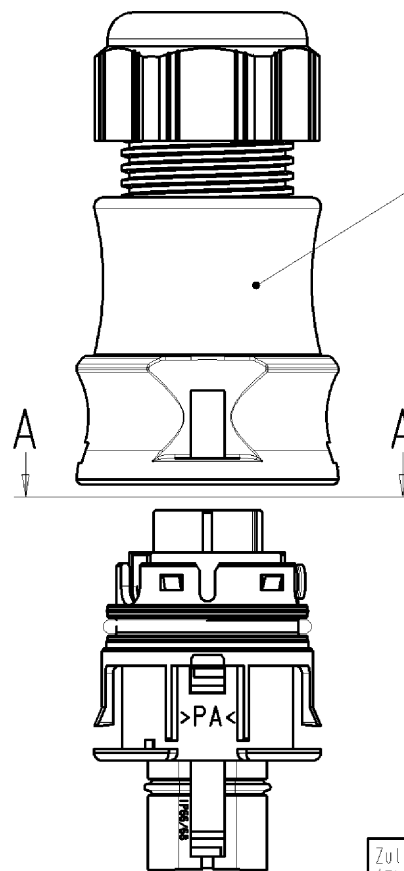
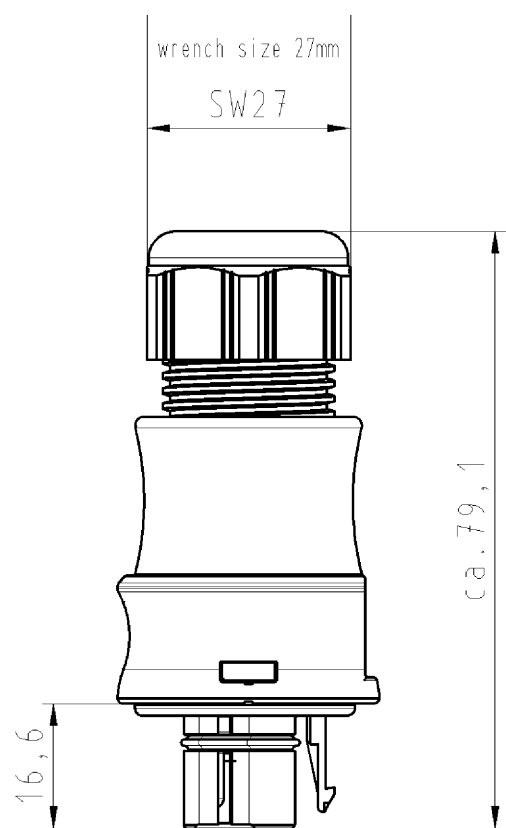
Commercial Art.No.:	Article-type description:	Description:
05.564.4453.0	Cover for male connector GL	RST20i3/2 cover piece, for covering unused male connectors, color light grey
99.415.6205.2	Cover for male connector GL	RST20i3/2 cover piece, for covering unused male connectors, with fastening belt, color light grey

**Fits with**

<b>Commercial Art.No.:</b>	<b>Article-type description:</b>	<b>Description:</b>
96.020.0153.0	Distributor RST20I2V 3P1 F V GL	RST20i3/2 distribution block, 2 pole, application 250V, 20A, 1 input and 3 outputs, with fastening option, coding color light grey, color of housing light grey
96.021.4053.0	Connector RST20I2S B13ZR1 GL	RST20i3/2 connector, 2 pole, female, screw connection, application 250V, 20A, for cable diameters 6-10mm, coding color light grey, color of housing light grey
96.023.4053.0	Connector RST20I2S B13YR1 GL	RST20i3/2 connector (90° angled), 2 pole, female, screw connection, application 250V, 20A, for cable diameters 6-10mm, coding color light grey, color of housing light grey

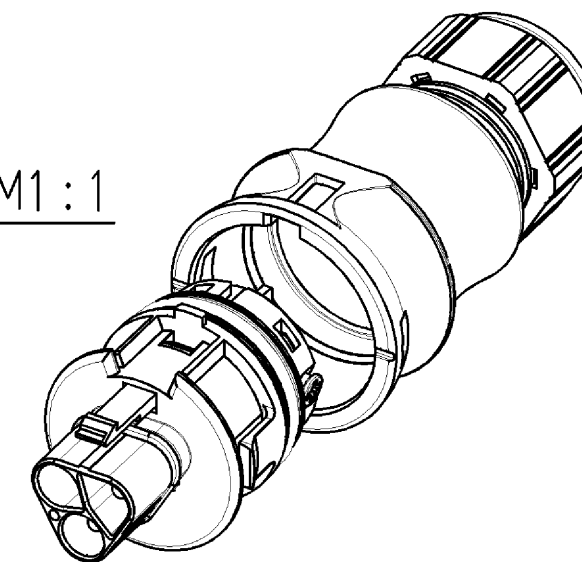


pole unassembled  
Pol unbestückt



for cable diameter 6-10mm  
(für Kabeldurchm. 6-10mm)

M1:1



These dimensions will be especially checked at delivery  
Only inspection dimensions  
With ±/E marked dimensions are only valid for internal use

Diese Maße werden bei Abnahme besonders geprüft  
Ausschließlich Prüfmaße  
Mit ±/E gekennzeichnete Maße sind nur für interne Zwecke gültig

Verpackungseinheit: je 100 Stück  
packaging unit: per 100

Teile-Nr./ part-nr.	Farbe:/ color:
96.022.4053.1	schwarz, ähnl. RAL 9005/ black, similar to RAL 9005
96.022.4053.0	lichtgrau, ähnl. RAL 7035/ lightgrey, similar to RAL 7035

Zulässige Abweichungen nach DIN 7167/Permissible deviations acc. to DIN 7167. (This DIN-standard describes the envelope principle. According to the envelope principle the deviations of form and parallelism are limited by the size tolerances).		nein/no <input checked="" type="checkbox"/> Stoffverbots- und Deklarationsliste nach UU-TQM-05/03 ist einzuhalten. List of banned and declarable substances according to Wieland document e-UU-TQM-05/03 is to obey.	
Freitoleranz nach General tolerance		CAD - Zeichnung, keine manuellen Änderungen CAD - drawing, no manual modifications allowed	1. Verwendung: First Use: -
Blatt: 1 von 1 Sheet: 1 of 1		Zeichnung Nr./Drawing No. Index	
T 96.022.4053.0 01K		Maße in mm/Dimensions are in mm	
Werkstoff/Material		2005 gezeichnet drawn 13.07.	Name Kneitz
Maßstab/Scale 1:1		geprüft checked	
Vol. mm <sup>3</sup> Ofl./Surf. mm <sup>2</sup>		Normgepr. Stand. check	
Ersatz für/Replacement for: -		Type Benennung/Title	
wieland		Typ RST2012 S S13 ZR1 V	
Elektrische Verbindungen		STECKERTEIL MIT ZUGENTLASTUNG male connector with cord grip	
Index Datum / Blatt Date / Sheet		Schraubanschluß ohne Drahtschutz/screw-connection without wire protection	
Änderung/Revision			

Weitergabe sowie Vervielfältigung dieses Dokuments, Verwertung und Mitteilung seines Inhalts sind verboten, soweit nicht ausdrücklich gestattet. Die Reproduktion, Distribution und Nutzung dieses Dokuments, wie auch die Kommunikation der Inhalte mit anderen, ohne schriftliche Genehmigung der Wieland ist ausdrücklich untersagt.

960224053001K\_4\_CAD/007\_Kneitz 2005-07-13 10:05:51 1.000