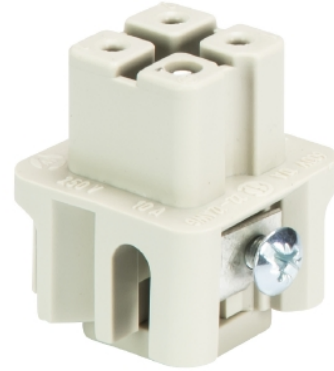


## Data sheet

Commercial Art.No.: 73.300.0353.0

Female insert MIN BUS 3 2,5 40

Female insert revos MINI, 3-poles, rated current: 10A, rated voltage: 250/400 V, with tin-plated contacts



Commercial Art.No.	73.300.0353.0
EAN	4015573229396
Order Unit	10

Certificates / Approvals



## Technical data

### General

Model	Female insert
Inflammability class of insulation material acc. with UL94	V2
Color	Grey
Mating cycles	50
Pollution degree	3
Modular version	No
Operating temperature range min.	-40 °C
Operating temperature range max.	120 °C

### Connection Data

Connection type	screw connection
Number of poles	3
Total number of poles (without ground contact)	3
With wire protection	No
Min. conductor diameter rigid (solid/stranded)	0.5 mm <sup>2</sup>
Max. conductor diameter rigid (solid/stranded)	2.5 mm <sup>2</sup>
Protective contact	yes

### Technical Data UL/CSA

Rated voltage according to UL/CSA	600 V
Rated current according UL	10 A
Rated current according CSA	10 A

Min. conductor cross section flexible wire	0.5 mm <sup>2</sup>
Max. conductor cross section flexible wire	2.5 mm <sup>2</sup>
Conductor cross section flexible AWG wire	22-12 AWG

**Model**

With housing	No
--------------	----

**Contacts**

Contact material	Copper alloy
Surface	Tin-plated
Contact resistance	≤ 2 mOhm
Wire strip length	4 mm

**Screws head design/recomm. Torque**

Mounting screws	M3/0.5-0.7 Nm Slot
Clamping screws	M3/0.5-0.7 Nm Slot
Ground conductor screws	M3/0.5-0.7 Nm Slot

**Technical Data DIN EN 61984**

Nominal voltage	400 V
Rated voltage face/ground	250 V
Nominal current	10 A
Rated impulse voltage	4 kV

**Classification**

ECLASS 11	
ECLASS 8.1	27440205
ETIM 7.0	EC000438
ETIM 6.0	EC000438
ETIM 5.0	EC000438
ETIM 4.0	EC000438
ETIM 3.0	EC000438

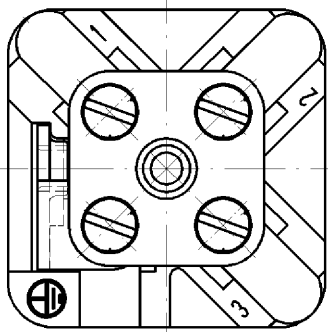
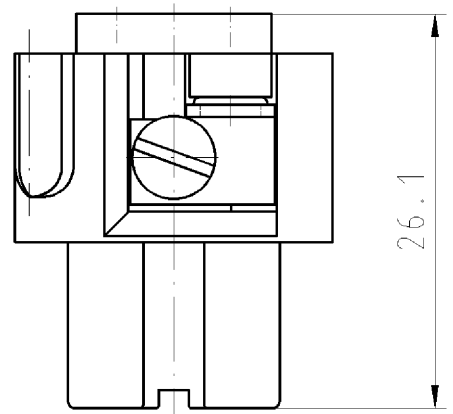
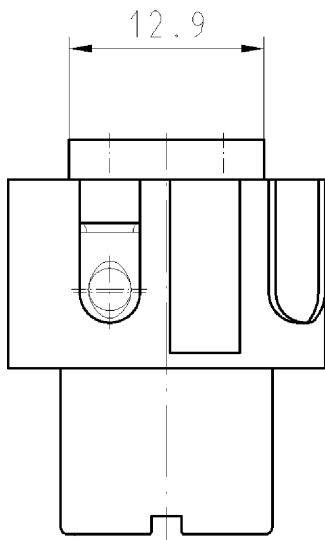
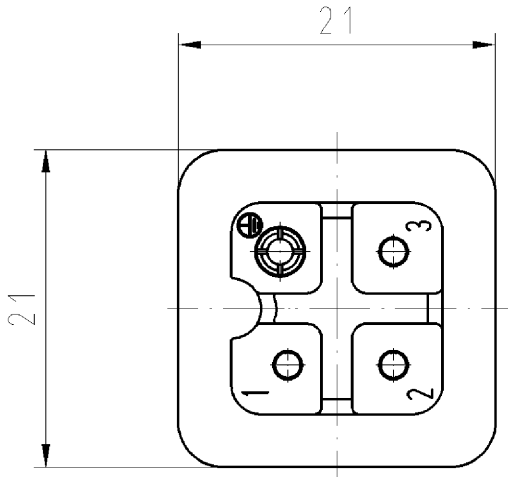
**Product compliance**

ROHS conformity status	Compliant/Exempted
ROHS exceptions	III-6(c)
REACH-SVHC conformity status	Duty-To-Declare
REACH-SVHC substances	Lead
REACH-SVHC CAS numbers	7439-92-1

**Fits with**

Commercial Art.No.:	Article-type description:	Description:
76.350.0736.0	Hood MIN GOT GA 7 M20 25 Z0	Hood revos MINI made of zinc, ankled with cable gland M20 (IP54), low version
76.350.0736.1	Hood MIN GOT GA 7 M20 25 Z1	Hood revos MINI made of zinc, ankled with threaded hole M20, low version

76.352.0736.0	Hood MIN GOT GB 7 M20 25 Z0	Hood revos MINI made of zinc, straight with cable gland M20 (IP54), lowversion
76.352.0736.1	Hood MIN GOT GB 7 M20 25 Z1	Hood revos MINI made of zinc, straight with threaded hole M20, low version
76.362.0736.0	Hood MIN GOT GB7HM20 25 Z0	Hood revos MINI made of zinc, straight with cable gland M20 (IP54), high version
76.362.0736.1	Hood MIN GOT GB7HM20 25 Z0	Hood revos MINI made of zinc, straight with cable gland M20 (IP54), high version
76.362.0736.5	Hood MIN GOT GB7HM20 25 Z0	Hood revos MINI made of zinc, straight with cable gland M20 (IP54), high version
76.372.0736.0	Hood MIN GOT GC 7 M20 25 Z0	Hood revos MINI made of zinc, with EHV for cable connections with cablegland M20 (IP54), low version
76.372.0736.1	Hood MIN GOT GC 7 M20 25 Z1	Hood revos MINI made of zinc, with EHV for cable connections with threaded hole M20, low version
76.320.0729.0	Bottom MIN GUT GA 7 25 Z	Bottom-base revos MINI made of zinc, ankled, open, low version
76.321.0729.0	Bottom MIN GUT GB 7 25 Z	Bottom-base revos MINI made of zinc, ankled, open, low version
76.322.0736.0	Bottom MIN GUT GC 7 M20 25 Z0	Bottom-base revos MINI made of zinc, with EHV for cable connections with cable gland low version
76.322.0736.1	Bottom MIN GUT GC 7 M20 25 Z1	Bottom-base revos MINI made of zinc, with EHV for cable connections with threaded hole low version
76.350.0760.1	Hood MIN GOT GA 7 M20 25 P1	Hood revos MINI made of Plastik, ankled with threaded hole M20, low version
76.350.0760.5	Hood MIN GOT GA 7 M20 25 P5	Hood revos MINI made of Plastik, ankled with cable gland M20 (IP65), low version
76.352.0760.0	Hood MIN GOT GB 7 M20 25 P0	Hood revos MINI made of Plastik, straight with cable gland M20 (IP54), low version
76.352.0760.1	Hood MIN GOT GB 7 M20 25 P1	Hood revos MINI made of Plastik, straight with threaded hole M20, low version
76.352.0760.5	Hood MIN GOT GB 7 M20 25 P5	Hood revos MINI made of Plastik, straight with cable gland M20 (IP65), low version
76.372.0760.1	Hood MIN GOT GC 7 M20 25 P1	Hood revos MINI made of Plastik, with EHV for cable connections with threaded hole M20, low version
76.372.0760.5	Hood MIN GOT GC 7 M20 25 P5	Hood revos MINI made of Plastik, with EHV for cable connections with cable gland M20 (IP65), low version
76.320.0753.0	Bottom MIN GUT GA 7 25 P	Bottom-base revos MINI made of Plastik, ankled, open, low version
76.321.0753.0	Bottom MIN GUT GB 7 25 P	Bottom-base revos MINI made of Plastik, straight, open, low version
76.322.0760.5	Bottom MIN GUT GC 7 M20 25 P5	Bottom-base revos MINI made of Plastik, with EHV for cable connections with cable gland low version



mit Schraubanschluß  
with screw connection

○ Diese Maße werden bei Abnahme besonders geprüft

□ Ausschließlich Prüfmaße

MIT ZEICHENLEICHNEITE MAÄE SIND NUR FÜR INTERNE ZWECHE GÜLTIG

Freitoleranz nach

CAD - Zeichnung, keine manuellen Änderungen

1. Verwendung: -

Bl.: 1 von 1

	/	Maßstab	Werkstoff und Oberfläche:		2003	Tag	Name	Zeichnung Nr. <b>73.300.0353.0 01K</b>	Index
	/	<b>2:1</b>			Entworfen	11.07.	Bauer F.		
	/				Gepüft	-	-		
	/	Vol.	mm <sup>2</sup>	Offl.	mm <sup>2</sup>	Normgepr.	-	-	Ersatz für: -
	/		<b>wieland</b>		Typ MIN BUS 3 2,5 40	Benennung <b>BUCHSENE INSATZ</b> 3-polig SOCKET INSERT 3-pole			
Buchstabe	Datum / Blatt					Änderung			

Weitergabe sowie Vervielfältigung dieses Dokuments, Verwertung und Mitteilung seines Inhalts sind verboten, soweit nicht ausdrücklich gestattet. The reproduction, distribution and utilization of this document as well as the communication of its contents to others without express authorization is prohibited.