

Data sheet

Commercial Art.No.: 46.032.M053.1

Device connector RST16i3 S D03 MSW

RST16i3 modular device connector M20, 3 pole, male, spring clamp connection, with automatic wiring option, application 250V with PE, 16A, coding color black



Commercial Art.No.	46.032.M053.1
EAN	4049088572777
Order Unit	1

Technical data

General

Rated current	16 A
Rated voltage	250 V
Pollution degree	3
Rated impulse voltage	4 kV
Lockable	self-locking (unlocking by hand)
Color of coding/ contact carrier	black
Marking of poles	L, N, PE

Connection Data

Connection cross section solid mm ² max.	2.5 mm ²
Connection cross section solid mm ² min.	0.5 mm ²
Connection cross section fine stranded mm ² max.	2.5 mm ²
Connection cross section fine stranded mm ² min.	0.5 mm ²
Terminations per pole	2

Model

Model	male
Connection type	spring clamp connection
Connecting thread metric	M20
Angle of plug	straight
Degree of protection (IP)	IP66/68 (3m;2h) /IP69
Thickness of housings (electrical device) 2	1 mm
Thickness of housings (electrical device)	4 mm

Material

Housing material	Polyamide
halogen free	yes

Contact material	CuZn
Fire load	0.068 kWh
Insulation components continuous temperature	100 °C
Surface finish	Silver-plated

Dimensions

Length	43.5 mm
Width	29.3 mm
Height	24 mm

Note

Note	Positioning realised with flattened thread
------	--

Classification

ECLASS 11	
ECLASS 8.1	27440602
ETIM 7.0	EC002566
ETIM 6.0	EC002566
ETIM 5.0	EC002566
ETIM 4.0	EC002566

Accessories

Commercial Art.No.:	Article-type description:	Description:
06.563.8853.1	Cover for male connector SW	RST16i3/2 cover piece, for covering unused male connectors, color schwarz
06.563.8953.1	Cover for male connector SW	RST16i3/2 cover piece, for covering unused male connectors, with fastening belt, color schwarz

Fits with

Commercial Art.No.:	Article-type description:	Description:
46.031.4553.1	Connector RST16i3 S B1 ZT4 SW	RST16i3 connector, 3 pole, female, screw connection, application 250V with PE, 16A, for cable diameters 5.0-9.5mm, coding color black, color of housing black
46.031.4453.1	Connector RST16i3 S B1 ZT3 SW	RST16i3 connector, 3 pole, female, screw connection, application 250V with PE, 16A, for cable diameters 7.1-13mm, coding color black, color of housing black

A
 Weitergabe sowie Vervielfältigung dieses Dokuments, Verwertung und Mitteilung seines Inhalts sind verboten, soweit nicht ausdrücklich gestattet.
 The reproduction, distribution and utilization of this document as well as the communication of its contents to others without express authorization is prohibited.

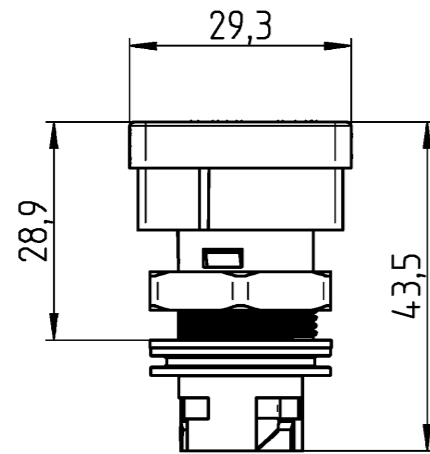
B
 These dimensions will be especially checked at delivery
 Only inspection dimensions
 With /E marked dimensions are only valid for internal use

D
 Diese Maße werden bei Abnahme besonders geprüft
 Ausschließlich Prüfmäße
 Mit /E gekennzeichnete Maße sind nur für interne Zwecke gültig

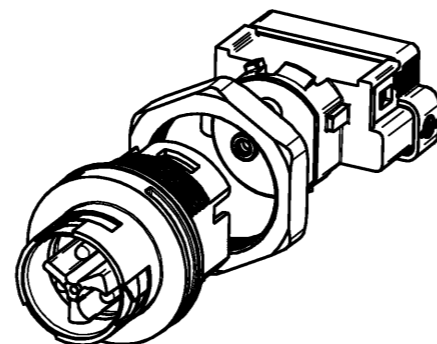
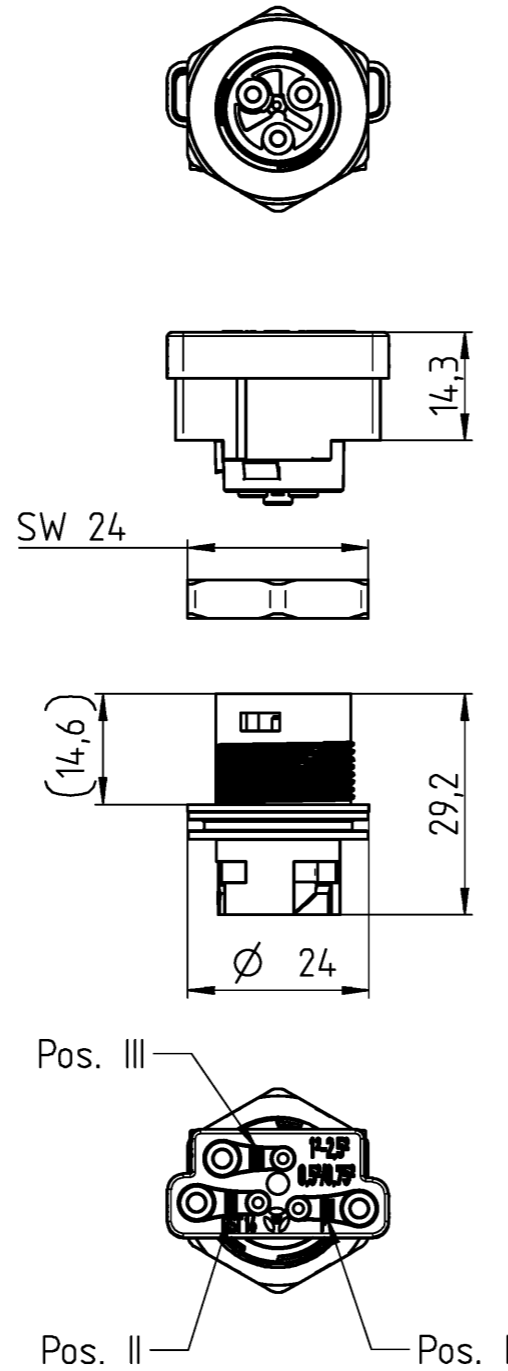
F

Gezeichnete Ausführung/drawn version
 46.032.M053.0

Gesteckter Zustand/
 connected condition



Auslieferungszustand/
 delivery condition



Teile-Nr. /part-no.	Type	Pol Kennzeichnung /pole marking		
		Pos. I	Pos. II	Pos. III
46.032.M053.0	RST16I3 S D03 M GL	1/L	2/N	PE
46.032.M0L0.0	RST16I3 2 D03 M GL	1/L	2/N	PE
46.032.M053.1	RST16I3 S D03 M SW	1/L	2/N	PE
46.032.M0L0.1	RST16I3 2 D03 M SW	1/L	2/N	PE
46.032.M055.7	RST16I3 S D03 M GN	1/L	2/N	PE
46.032.M0L0.7	RST16I3 2 D03 M GN	1/L	2/N	PE
46.032.M050.6	RST16I3 S D03 M TB	D1	D2	PE
46.032.M0L0.6	RST16I3 2 D03 M TB	D1	D2	PE
46.032.M053.9	RST16I3 S D03 M BL	1	2	3
46.032.M0L0.9	RST16I3 2 D03 M BL	1	2	3
46.032.M050.4	RST16I3 S D03 LM BR	1	2	3
46.032.M0L0.4	RST16I3 2 D03 LM BR	1	2	3
46.032.M054.0	RST16I3/2 S D03 M GL	1/L	2/N	
46.032.M0L1.0	RST16I3/2 2 D03 M GL	1/L	2/N	
46.032.M054.1	RST16I3/2 S D03 M SW	1/L	2/N	
46.032.M0L1.1	RST16I3/2 2 D03 M SW	1/L	2/N	
46.032.M054.9	RST16I3/2 S D03 M BL	1/L	2/N	
46.032.M0L1.9	RST16I3/2 2 D03 M BL	1/L	2/N	
46.032.M051.4	RST16I3/2 S D03 LM BR	1/L	2/N	
46.032.M0L1.4	RST16I3/2 2 D03 LM BR	1/L	2/N	
46.032.M051.6	RST16I3/2 S D03 M TB	D1	D2	
46.032.M0L1.6	RST16I3/2 2 D03 M TB	D1	D2	

Weitere Daten siehe KATALOG oder eKatalog
 additional data see CATALOG or eCATALOG
www.wieland-electric.com
eshop.wieland-electric.com

Tolerierung Size ISO 14405 © / Tolerance system Size ISO 14405 ©. (This ISO-standard describes the envelope principle. According to the envelope principle the deviations of form and parallelism are limited by the size tolerances).		ja/yes <input checked="" type="checkbox"/> Stoffverbots- und Deklarationsliste nach WN 5020.010 ist einzuhalten. Conformity with Wieland document WN 5020.010 e (list of prohibited / declarable hazardous substances) to be declared!	
Freitoleranz nach General tolerance	CAD - Zeichnung, keine manuellen Änderungen CAD - drawing, no manual modifications allowed	1 Verwendung: First Use:	Blatt: 1 von 1 Sheet: of 1
/	Werkstoff / Material	Tag/Date	Name
/	Maßstab / Scale	gezeichnet drawn	29.01.2020 Hennemann V.
/	1:1	geprüft checked	
/	Vol. mm ³ Dfl./Srf. mm ²	Normgepr. Stand. check	
Ersatz für / Replacement for:		Zeichnung Nr. / Drawing No.	
a	18.01.2021 /	T 46.032.M053.0 13K a	
Index	Datum / Blatt Date / Sheet	Maße in mm / Dimensions are in mm	
Änderung / Revision	www.wieland-electric.com		Index
	wieland	Type	Benennung/Title
		RST16	STECKERTEIL_GA
		MOLA	male device connector 3/2 pole
			mit/ohne Kontaktabdichtung / with/without contact seal