

Data sheet

Commercial Art.No.: 96.020.0151.4

Distributor RST20I2V 3P1 F V L BR0

RST20i3/2 distribution block, 2 pole, application ~50V/-120V, 20A, 1 input and 3 outputs, with fastening option, coding color signal brown, color of housing signal brown



Commercial Art.No.	96.020.0151.4
EAN	4015573945258
Order Unit	1

Certificates / Approvals



LR

RINA



Technical data

General

Rated current	20 A
Rated voltage	50 V / 120 V
Rated impulse voltage	4 kV
Pollution degree	3
Lockable	self-locking (unlocking by tool)
Color of coding/ contact carrier	signal brown
Marking of poles	1, 2

Model

Number of inputs	1
Number of outputs	3
Type of fastening	yes
Degree of protection (IP)	IP66/68 (3m;2h) /IP69
Type of distributor	Distribution block

Material

Housing material	Polyamide
halogen free	yes
Contact material	CuZn
Fire load	0.224 kWh
Insulation components continuous temperature	100 °C
Surface finish	Silver-plated

Dimensions

Length	55.5 mm
--------	---------

Width	85.8 mm
Height	31.3 mm

Classification

ECLASS 11	
ECLASS 8.1	27440603
ETIM 7.0	EC002567
ETIM 6.0	EC002567
ETIM 5.0	EC002567
ETIM 4.0	EC002567

Product compliance

ROHS conformity status	Compliant/Exempted
ROHS exceptions	III-6(c)
REACH-SVHC conformity status	Duty-To-Declare
REACH-SVHC substances	Lead
REACH-SVHC CAS numbers	7439-92-1

Accessories

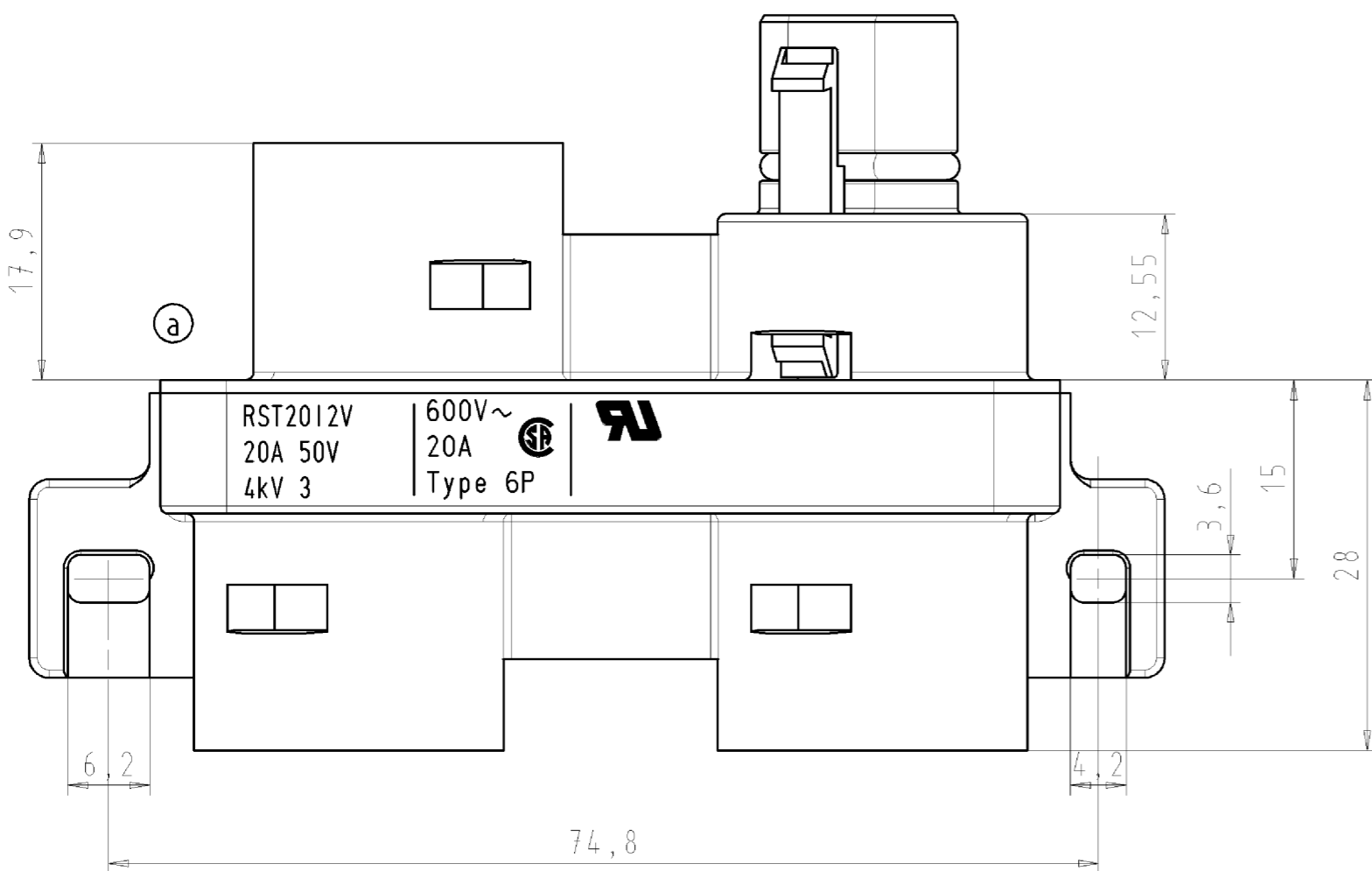
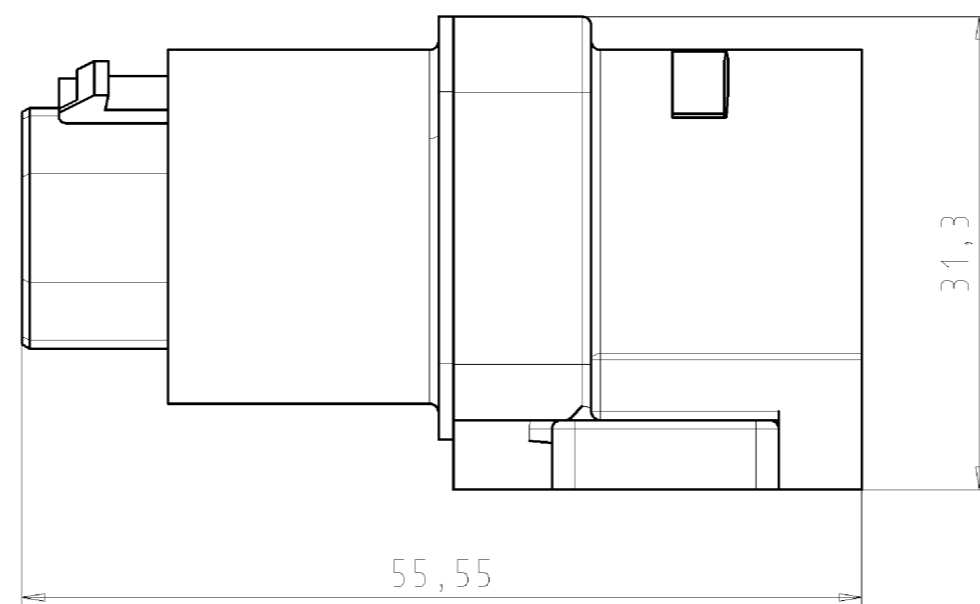
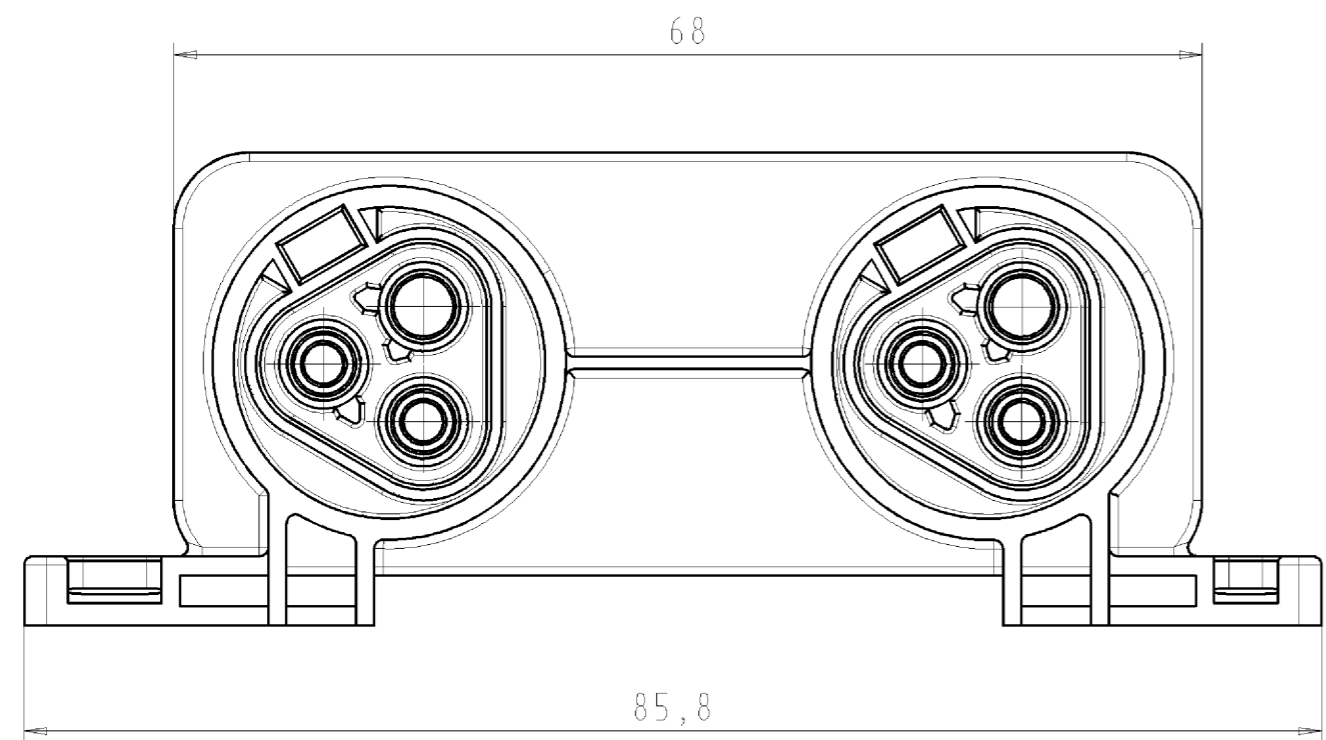
Commercial Art.No.:	Article-type description:	Description:
05.564.4453.1	Cover for male connector SW	RST20i3/2 cover piece, for covering unused male connectors, color black
99.414.6205.2	Cover for female connector SW	RST20i3/2 cover piece, for covering unused female connectors, with fastening belt, color schwarz
99.416.6205.2	Cover for male connector SW	RST20i3/2 cover piece, for covering unused male connectors, with fastening belt, color black
Z5.564.4553.1	Cover for female connector SW	RST20i3/2 cover piece, for covering unused female connectors, color black

Fits with

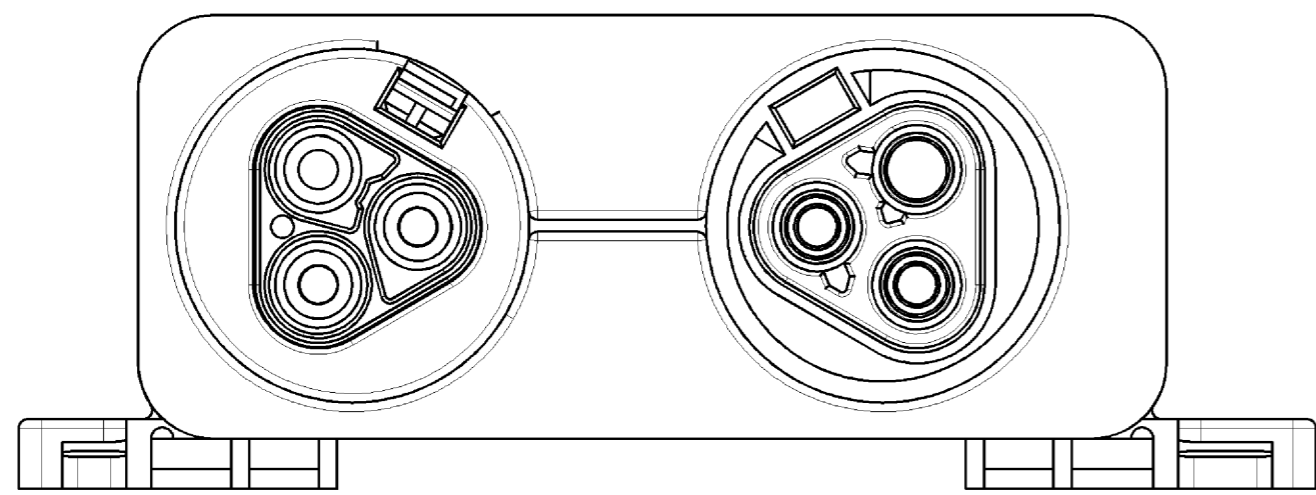
Commercial Art.No.:	Article-type description:	Description:
96.021.0051.4	Connector RST20I2F B23ZR1S L BR0	RST20i3/2 connector, 2 pole, female, spring clamp connection, application ~50V/-120V, 20A, for cable diameters 6-10mm, coding color signal brown, color of housing black
96.022.0051.4	Connector RST20I2F S23ZR1SVL BR0	RST20i3/2 connector, 2 pole, male, spring clamp connection, application ~50V/-120V, 20A, for cable diameters 6-10mm, coding color signal brown, color of housing black
96.021.4051.4	Connector RST20I2S B13ZR1S L BR0	RST20i3/2 connector, 2 pole, female, screw connection, application ~50V/-120V, 20A, for cable diameters 6-10mm, coding color signal brown, color of housing black
96.022.4051.4	Connector RST20I2S S13ZR1SVL BR0	RST20i3/2 connector, 2 pole, male, screw connection, application ~50V/-120V, 20A, for cable diameters 6-10mm, coding color signal brown, color of housing black
96.021.0151.4	Connector RST20I2F B23ZR2S L BR01	RST20i3/2 connector, 2 pole, female, spring clamp connection, application ~50V/-120V, 20A, for cable diameters 10-14mm, coding color signal brown, color of housing black
96.022.0151.4	Connector RST20I2F S23ZR2SVL BR01	RST20i3/2 connector, 2 pole, male, spring clamp connection, application ~50V/-120V, 20A, for cable diameters 10-14mm, coding color signal brown, color of housing black

96.021.4151.4	Connector RST20I2S B13ZR2 L BR01	RST20i3/2 connector, 2 pole, female, screw connection, application ~50V/-120V, 20A, for cable diameters 10-14mm, coding color signal brown, color of housing black
96.022.4151.4	Connector RST20I2S S13ZR2SVL BR01	RST20i3/2 connector, 2 pole, male, screw connection, application ~50V/-120V, 20A, for cable diameters 10-14mm, coding color signal brown, color of housing black
96.021.4951.4	Connector RST20I2S B13ZASS L BR0	RST20i3/2 connector, 2 pole, female, screw connection, application ~50V/-120V, 20A, for AS-i-profile-cable, coding color signal brown, color of housing black
96.022.4951.4	Connector RST20I2S S13ZASSVL BR0	RST20i3/2 connector, 2 pole, male, screw connection, application ~50V/-120V, 20A, for AS-i-profile-cable, coding color signal brown, color of housing black
96.023.4051.4	Connector RST20I2S B13YR1S L BR01	RST20i3/2 connector (90° angled), 2 pole, female, screw connection, application ~50V/-120V, 20A, for cable diameters 6-10mm, coding color signal brown, color of housing black
96.024.4051.4	Connector RST20I2S S13YR1SVL BR0	RST20i3/2 connector (90° angled), 2 pole, male, screw connection, application ~50V/-120V, 20A, for cable diameters 6-10mm, coding color signal brown, color of housing black
96.023.4151.4	Connector RST20I2S B13YR2S L BR01	RST20i3/2 connector (90° angled), 2 pole, female, screw connection, application ~50V/-120V, 20A, for cable diameters 10-14mm, coding color signal brown, color of housing black
96.024.4151.4	Connector RST20I2S S13YR2SVL BR01	RST20i3/2 connector (90° angled), 2 pole, male, screw connection, application ~50V/-120V, 20A, for cable diameters 10-14mm, coding color signal brown, color of housing black
96.023.4951.4	Connector RST20I2S B13YASS L BR01	RST20i3/2 connector (90° angled), 2 pole, female, screw connection, application ~50V/-120V, 20A, for AS-i-profile-cable, coding color signal brown, color of housing black
96.024.4951.4	Connector RST20I2S S13YASSVL BR01	RST20i3/2 connector (90° angled), 2 pole, male, screw connection, application ~50V/-120V, 20A, for AS-i-profile-cable, coding color signal brown, color of housing black
96.021.4251.4	Connector RST20I2S B13ZRXS L BR0	RST20i3/2 splitter connector, 2 pole, female, screw connection, application ~50V/-120V, 20A, for cable diameters 6-10mm, coding color signal brown, color of housing black
96.021.4351.4	Connector RST20I2S B13ZRXS L BR01	RST20i3/2 splitter connector, 2 pole, female, screw connection, application ~50V/-120V, 20A, for cable diameters 10-14mm, coding color signal brown, color of housing black
96.021.0451.4	Connector RST20I2F B23ZRWS L BR01	RST20i3/2 connector, 2 pole, female, spring clamp connection, application ~50V/-120V, 20A, for illumination cable, coding color signal brown, color of housing black
96.022.0451.4	Connector RST20I2F S23ZRWSVL BR01	RST20i3/2 connector, 2 pole, male, spring clamp connection, application ~50V/-120V, 20A, for illumination cable, coding color signal brown, color of housing black
96.021.4451.4	Connector RST20I2S B13ZRWS L BR01	RST20i3/2 connector, 2 pole, female, screw connection, application ~50V/-120V, 20A, for illumination cable, coding color signal brown, color of housing black
96.022.4451.4	Connector RST20I2S S13ZRWSVL BR01	RST20i3/2 connector, 2 pole, male, screw connection, application ~50V/-120V, 20A, for illumination cable, coding color signal brown, color of housing black
96.021.0951.4	Connector RST20I2F B23ZASS L BR01	RST20i3/2 connector, 2 pole, female, spring clamp connection, application ~50V/-120V, 20A, for AS-i-profile-cable, coding color signal brown, color of housing black
96.022.0951.4	Connector RST20I2F S23ZASSVL BR01	RST20i3/2 connector, 2 pole, male, spring clamp connection, application ~50V/-120V, 20A, for AS-i-profile-cable, coding color signal brown, color of housing black
96.023.0051.4	Connector RST20I2F B23YR1 L BR01	RST20i3/2 connector (90° angled), 2 pole, female, spring clamp connection, application ~50V/-120V, 20A, for cable diameters 6-10mm, coding color signal brown, color of housing black

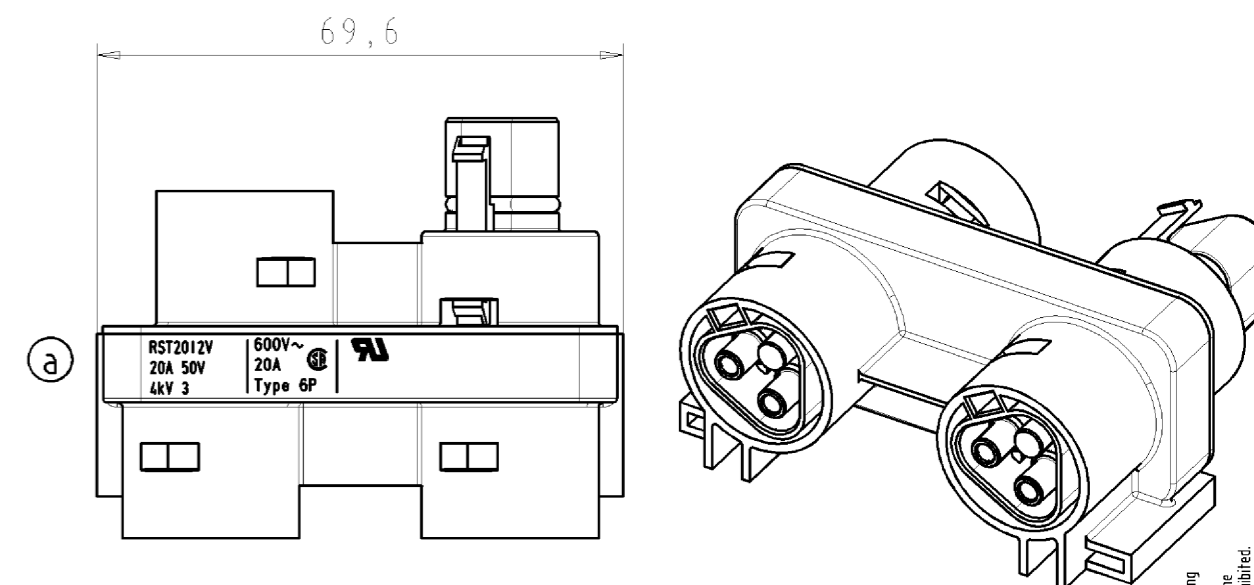
96.024.0051.4	Connector RST20I2F S23YR1 VL BR0	RST20i3/2 connector (90° angled), 2 pole, male, spring clamp connection, application ~50V/-120V, 20A, for cable diameters 6-10mm, coding color signal brown, color of housing black
96.023.0151.4	Connector RST20I2F B13YR1S L BR01	RST20i3/2 connector (90° angled), 2 pole, female, spring clamp connection, application ~50V/-120V, 20A, for cable diameters 10-14mm, coding color signal brown, color of housing black
96.024.0151.4	Connector RST20I2F S13YR1SVL BR01	RST20i3/2 connector (90° angled), 2 pole, male, spring clamp connection, application ~50V/-120V, 20A, for cable diameters 10-14mm, coding color signal brown, color of housing black
96.023.0951.4	Connector RST20I2F B23YASS L BR01	RST20i3/2 connector (90° angled), 2 pole, female, spring clamp connection, application ~50V/-120V, 20A, for AS-i-profile-cable, coding color signal brown, color of housing black
96.024.0951.4	Connector RST20I2F S23YASSVL BR01	RST20i3/2 connector (90° angled), 2 pole, male, spring clamp connection, application ~50V/-120V, 20A, for AS-i-profile-cable, coding color signal brown, color of housing black
96.021.0251.4	Connector RST20I2F B23ZRXS L BR0	RST20i3/2 splitter connector, 2 pole, female, spring clamp connection, application ~50V/-120V, 20A, for cable diameters 6-10mm, coding color signal brown, color of housing black
96.021.0351.4	Connector RST20I2F B23ZRYS L BR0	RST20i3/2 splitter connector, 2 pole, female, spring clamp connection, application ~50V/-120V, 20A, for cable diameters 10-14mm, coding color signal brown, color of housing black



180°

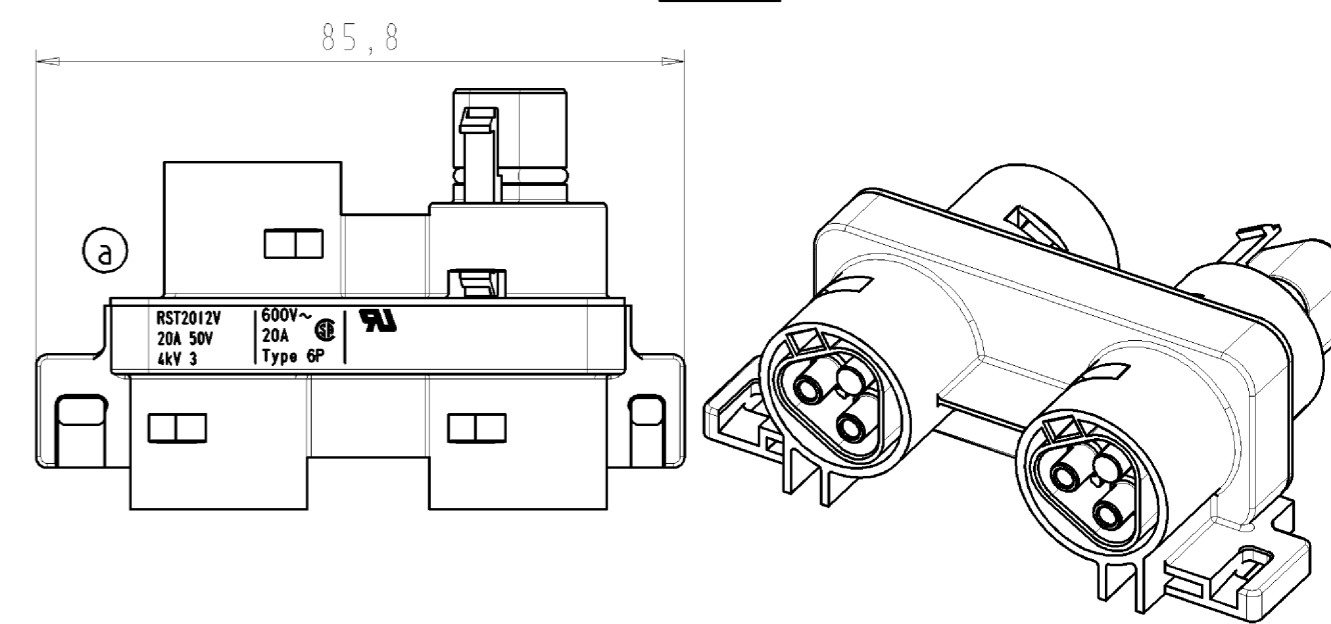


Ausführung: 96.020.0251.4
 Variante: ohne Anschraubflansch
 drawn construction: 96.020.0251.4
 variante: without screwing flange
 M1:1



Type/type: RST2012V 3P1 V L BR01

Ausführung: 96.020.0151.4
 Variante: mit Anschraubflansch
 drawn construction: 96.020.0151.4
 variante: with screwing flange
 M1:1



Type/type: RST2012V 3P1 F V L BR01

Gezeichnete Ausführung:
 drawn construction:
 96.020.0151.4

Verpackungseinheit: je 100 Stück
 packaging unit: per 100

Tolerierung nach DIN 7167/Tolerance system acc. to DIN 7167. (This DIN-standard describes the envelope principle. According to the envelope principle the deviations of form and parallelism are limited by the size tolerances).		ja/yes <input checked="" type="checkbox"/> Stoffverfalls- und Deklarationsliste nach UU-TQM-05/03 ist einzuhalten. Conformity with Wieland document UU-TQM-05/03 (list of prohibited / delectable hazardous substances) to be declared!	
Freitoleranz nach General tolerance	CAD - Zeichnung, keine manuellen Änderungen CAD - drawing, no manual modifications allowed	1. Verwendung: - First Use:	Blatt: 1 von 1 Sheet: 1 of 1
/	Werkstoff/Material Farbe: signalbraun, ähnl. RAL 8002 color: signalbrown, similar to RAL 8002	2006 gezeichnet drawn 03.11. geprüft checked - Werkzeug- Stand. check	Zeichnung Nr./Drawing No. 96.020.0151.4 01K a
/	Maßstab/Scale 1:1	mm Dtl./Surf. mm	Maße in mm/Dimensions are in mm
/	Val.	Ersatz für/Replacement for: -	
/	wieland Elektrische Verbindungen	Type	Benennung/Title VERTEILER für 50V distribution block for 50V
a	18.01.2008/ Datum / Blatt Date / Sheet		
Index			
Änderung/Revision			

Weitergabe sowie Vervielfältigung dieses Dokuments, Verwertung und Mitteilung seines Inhalts sind verboten, soweit nicht ausdrücklich gestattet.
 The reproduction, distribution and utilization of this document as well as the communication of its contents to others without express authorization is prohibited.