

## FYL- 3014XXX1G

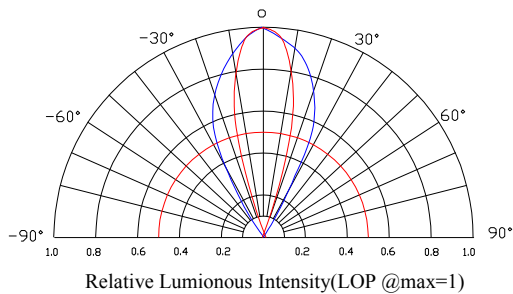
### Features:

- General purpose leads
- RoHs compliant.

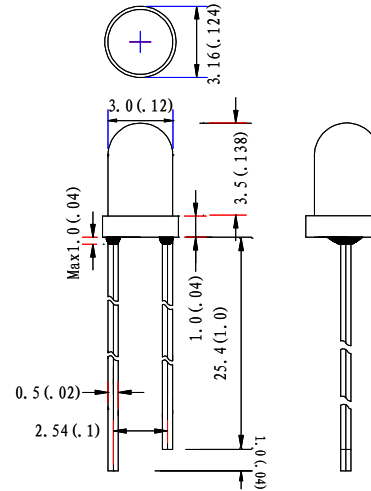
### Descriptions:

- Dice material: GaP/GaAsP/InGaN/AlGaN/P.
- Device Outline:  $\Phi 3\text{mm}$  Round Type.

### Radiation pattern.



### Package configuration



- ◆ All dimensions are millimeters (inches)
- ◆ Tolerance is  $\pm 0.25\text{mm}$ (.010") unless otherwise noted.

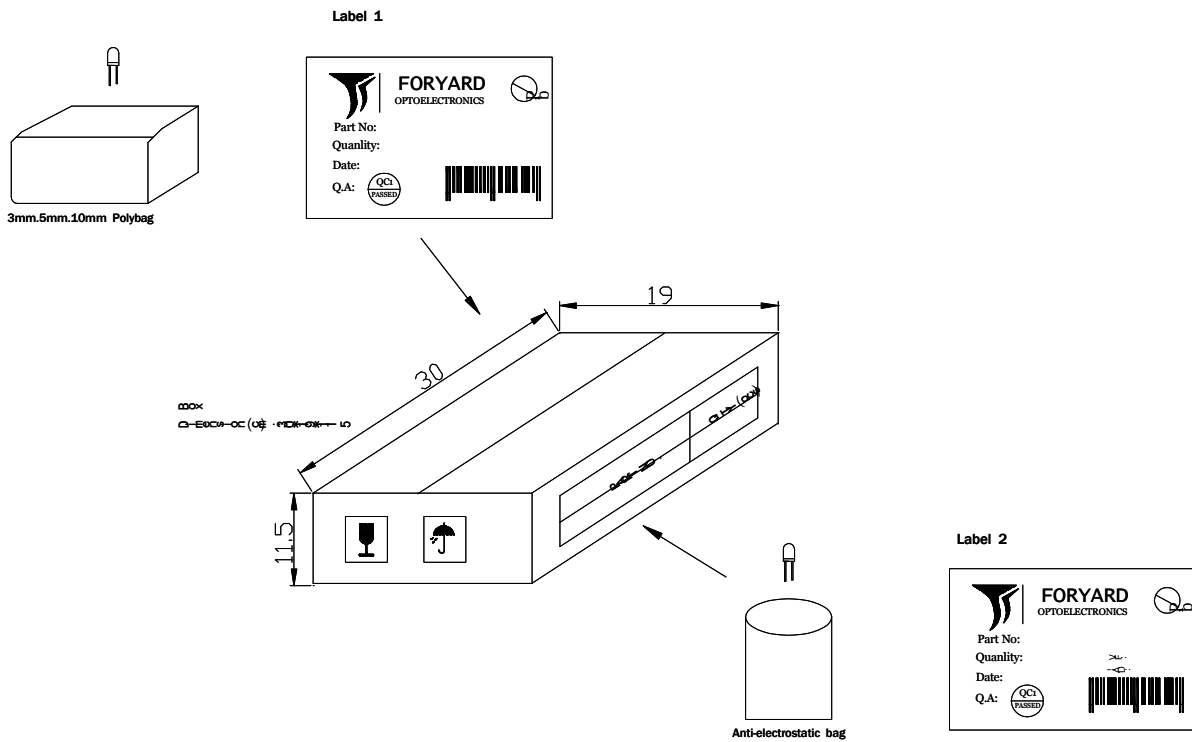
### Absolute maximum ratings( $T_a=25^\circ\text{C}$ )

Parameter	MAX.	Unit
Continuous Forward Current	20	mA
Derating Linear From $50^\circ\text{C}$	0.4	mA/ $^\circ\text{C}$
Reverse Voltage	5	V
Operating Temperature Range	<b><math>-30^\circ\text{C}</math> to <math>+80^\circ\text{C}</math></b>	
Storage Temperature Range	<b><math>-40^\circ\text{C}</math> to <math>+100^\circ\text{C}</math></b>	
Lead Soldering Temperature[4mm(.157") From Body]	<b><math>260^\circ\text{C}</math> for 5 Seconds</b>	

## Optical Characteristics at TA = 25° C

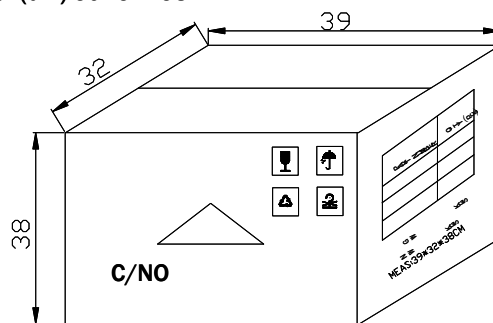
Part Number	Lens Color	Wavelength (nm)	Intensity (mcd)	Angle 2 θ 1/2
FYL-3014HD1G	Red Diffused	700	20	55
FYL-3014SRD1G	Red Diffused	660	70	55
FYL-3014ED1G	Red Diffused	625	40	55
FYL-3014AD1G	Amber Diffused	610	35	55
FYL-3014YD1G	Yellow Diffused	588	40	55
FYL-3014GD1G	Green Diffused	568	45	55
FYL-3014LRC1G	Water Clear	660	1000	35
FYL-3014SRC1G	Water Clear	640	800	35
FYL-3014SURC1G	Water Clear	630	1800	35
FYL-3014NURC1G	Water Clear	630	2200	35
FYL-3014LURC1G	Water Clear	630	3500	35
FYL-3014SUAC1G	Water Clear	610	1000	35
FYL-3014SUYC1G	Water Clear	588	1500	35
FYL-3014SUGC1G	Water Clear	568	500	35
FYL-3014PGC1G	Water Clear	520	8500	35
FYL-3014BGC1G	Water Clear	505	8000	35
FYL-3014UBC1G	Water Clear	470	2300	35
FYL-3014VC1G	Water Clear	410	90(mW)	35
FYL-3014UWC1G-UWW	Water Clear	X:0.40 Y:0.39 / 3500k	4000	35
FYL-3014UWC1G	Water Clear	X:0.29 Y:0.30 / 9500k	4000	35
FYL-3014UWC1G-ULW	Water Clear	X:0.25 Y:0.26 / 15000k	4500	35

## LAMP PACKING.



DEVICE	QTY/polybag(pcs)	Polybag/box A	Fig
5mm(T-1 3/4)	1000	8 bags	Label 1
3mm(T-1)	1000	10 bags	Label 1
10mm(T-1)	250	8 bags	Label 1
Blue/Green/White	500pcs	8 bags	Label 2

**CARTON**  
Dimension(cm):39\*32\*38



6 Boxes/Carton  
5mm:48,000pcs  
3mm:60,000pcs  
10mm:12,000pcs  
Blue/Pure Green/bluish Green  
/White:24,000pcs