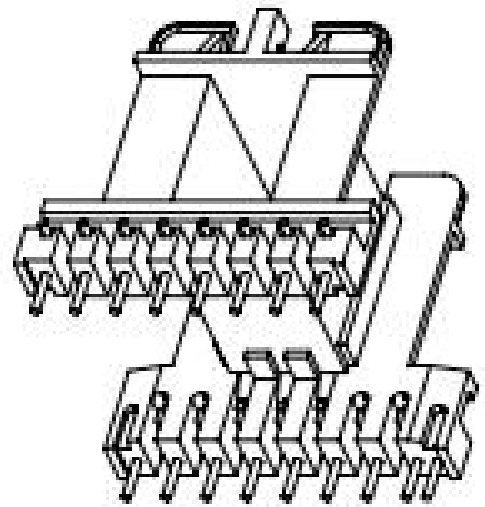
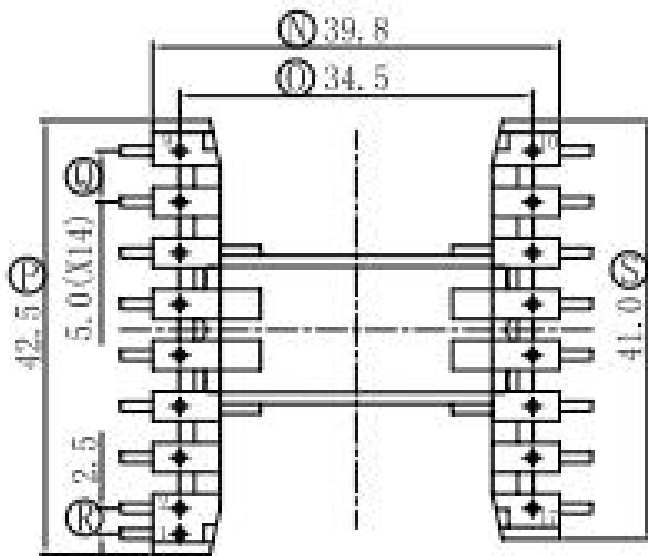
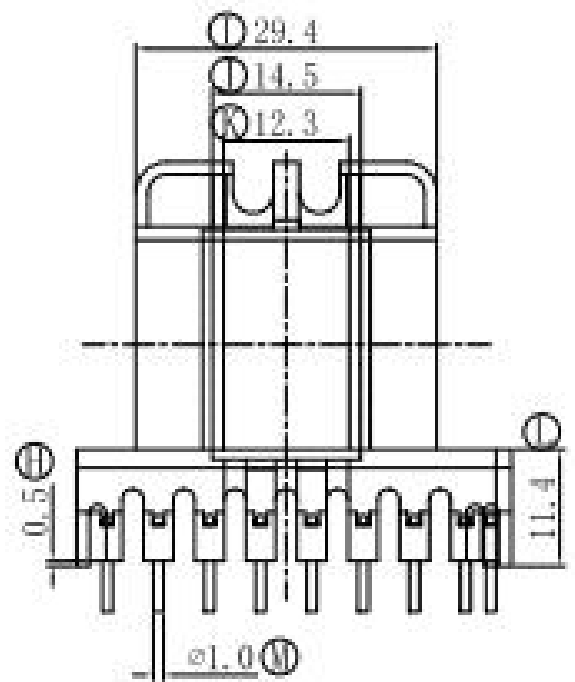
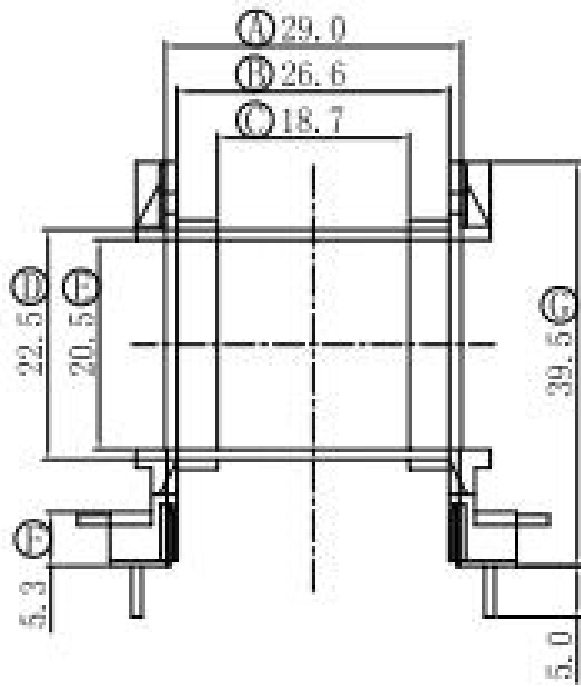


ISSUE	DESCRIPTION	DATE
A	新发行	08.03.06



		MODEL:	EE-42 (17PIN)	UNIT:	MM		
		MATERIAL:	PBT	SCALE:	1/1		
		DOWN BY:	黎方亮	08.03.06	UL REC:	94V-0	TOLERANCE 0.1 ≤ 4: ± 0.10 4 <math>< 16</math>: ± 0.20 16 <math>< 50</math>: ± 0.30 50 ≤ 1: ± 0.40
		CHECK BY:	余相梅	08.03.06		PIN PITCH: ± 0.2 THICKNESS: ± 0.15 ANGLE: $\pm 1^\circ$ PIN DIA: ± 0.03	
APPROVED:	洪晓瑜	08.03.06					
TEL:							
FAX:							
网址:							