

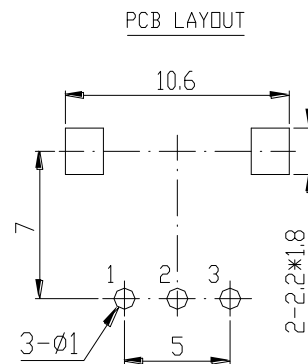
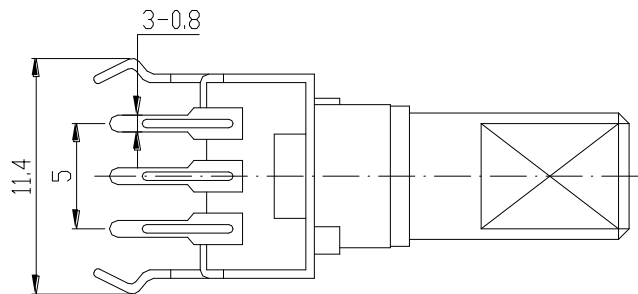
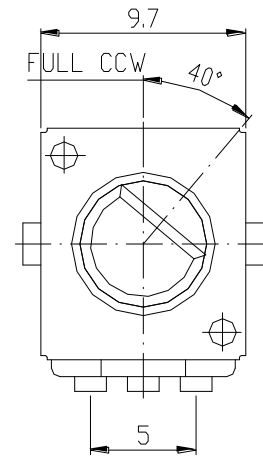
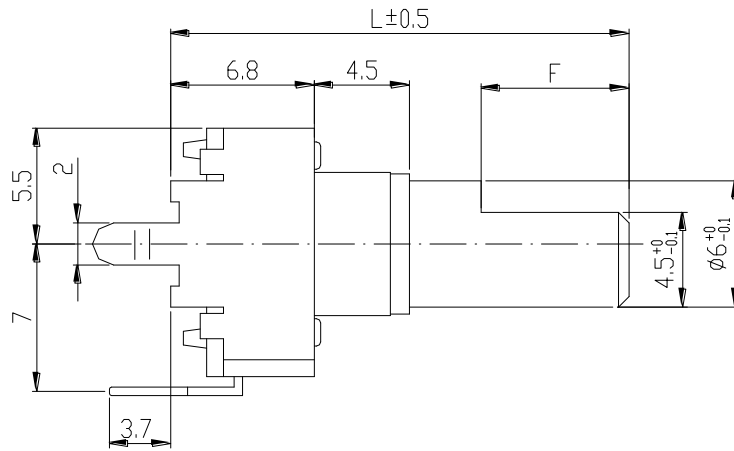


## Part Number

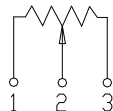
RS09-N - **B** **50K** , L- **20** **F**

↓ Taper                      ↓ Resistance value                      ↓ Shaft Length                      ↓ Shaft Type

## Dimensions



### CIRCUIT



# Shaft Type

KC Type				KS Type				KQ Type			
<b>L</b>	<b>15</b>	<b>20</b>	<b>25</b>	<b>L</b>	<b>15</b>	<b>20</b>	<b>25</b>	<b>L</b>	<b>15</b>	<b>20</b>	<b>25</b>
<b>A</b>	<b>7</b>	<b>7</b>	<b>7</b>	<b>A</b>	<b>7</b>	<b>7</b>	<b>7</b>	<b>A</b>	<b>6</b>	<b>7</b>	<b>7</b>

KT Type					F Type			
<b>L</b>	<b>9</b>	<b>15</b>	<b>20</b>	<b>25</b>	<b>L</b>	<b>15</b>	<b>20</b>	<b>25</b>
<b>A</b>	<b>--</b>	<b>6</b>	<b>7</b>	<b>7</b>	<b>A</b>	<b>6</b>	<b>7</b>	<b>12</b>

## General

<b>Operating temperature</b>	<b>-10 °C ~ +70 °C</b>
<b>Manual soldering</b>	<b>300 °C Max 3sec</b>

## Electrical Characteristics

<b>Total resistance</b>	<b>500Ω ~ 500KΩ</b>
<b>Resistance tolerance</b>	<b>±20%</b>
<b>Resistance taper</b>	<b>A B C</b>
<b>Sliding noise</b>	<b>Less than 80 mV</b>
<b>Residual resistance</b>	<b>Term. 1~2 :Less than 20Ω Term. 2~3 :Less than 40Ω</b>
<b>Insulation resistance</b>	<b>More than 100MΩ at DC 250V</b>
<b>Rated power(W)</b>	<b>0.05W</b>
<b>Max. Operating voltage</b>	<b>AC 50V / DC 20V</b>
<b>Withstand voltage</b>	<b>1 Minute at AC 250 V</b>

## Mechanical Characteristics

<b>Total rotational angle</b>	<b>280° ± 10°</b>
<b>Rotational torque</b>	<b>30 ~ 150 gf.cm</b>
<b>Rotational stopper strength</b>	<b>3Kgf.cm Min</b>
<b>Shaft push-pull strength</b>	<b>4Kgf. Max</b>
<b>Rotational life</b>	<b>15,000 Cycles.</b>