

Data sheet

Commercial Art.No.: 96.052.4153.1

Connector RST20i5 S1 ZR2 V SW

RST20i5 connector, 5 pole, male, screw connection, application 250/400V with PE, 20A, for cable diameters 10-14mm, coding color black, color of housing black



Commercial Art.No.	96.052.4153.1
EAN	4015573862142
Order Unit	1

Certificates / Approvals



Technical data

General

Rated current	20 A
Rated voltage	250 V / 400 V
Rated impulse voltage	4 kV
strain relief	yes
Pollution degree	3
Lockable	self-locking (unlocking by tool)
Color of coding/ contact carrier	black
Marking of poles	1, 2, 3, N, PE
Color of housing inclusive strain relief	black

Connection Data

Cable diameter max.	14 mm
Cable diameter min.	10 mm
Connection cross section solid mm ² max.	4 mm ²
Connection cross section solid mm ² min.	0.75 mm ²
Connection cross section solid AWG min.	18 AWG
Connection cross section solid AWG max.	14 AWG
Connection cross section fine stranded mm ² max.	4 mm ²
Connection cross section fine stranded mm ² min.	0.75 mm ²
Terminations per pole	1
Connection cross section stranded mm ² min.	0.75 mm ²
Connection cross section stranded mm ² max.	4 mm ²
Connection cross section stranded AWG min.	18 AWG
Connection cross section stranded AWG max.	14 AWG
sheath strip length	26.5 mm
Wire strip length	8 mm

Model

Model	male
Connection type	screw connection
Degree of protection (IP)	IP66/68 (3m;2h) /IP69

Material

Housing material	Polyamide
halogen free	yes
Contact material	CuZn
Fire load	0.285 kWh
Insulation components continuous temperature	100 °C
Surface finish	Silver-plated

Dimensions

Length	78.4 mm
Width	34.6 mm
Height	34.6 mm

Classification

ECLASS 11	
ECLASS 8.1	27440605
ETIM 7.0	EC002560
ETIM 6.0	EC002560
ETIM 5.0	EC002560
ETIM 4.0	EC002560

Note

Note	RST® terminals with screw clamping allow the connection of conductors without special preparation (without ferrules) according to EN 60999-1.
------	---

Product compliance

ROHS conformity status	Compliant/Exempted
ROHS exceptions	III-6(c)
REACH-SVHC conformity status	Duty-To-Declare
REACH-SVHC substances	Lead
REACH-SVHC CAS numbers	7439-92-1

Accessories

Commercial Art.No.:	Article-type description:	Description:
05.565.9953.1	Cover for male connector SW	RST20i5/4 cover piece, for covering unused male connectors, color black
99.532.0000.7	Cover for male connector SW	RST20i5/4 cover piece, for covering unused male connectors, with fastening belt, color black

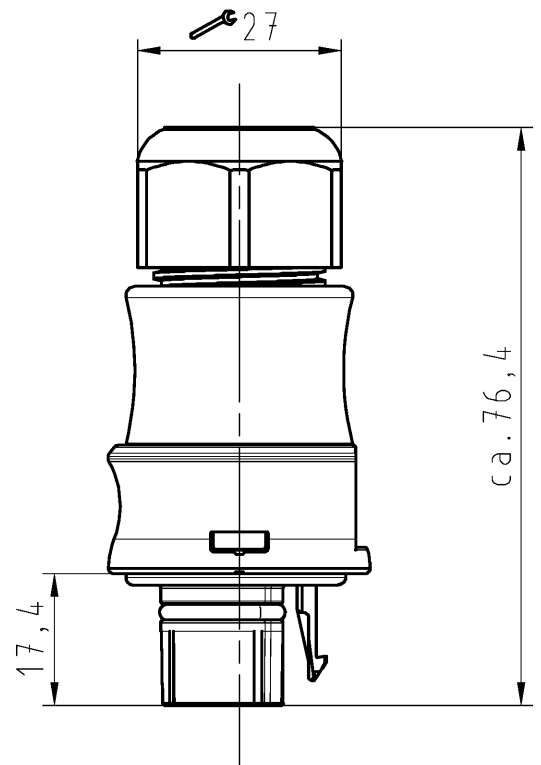
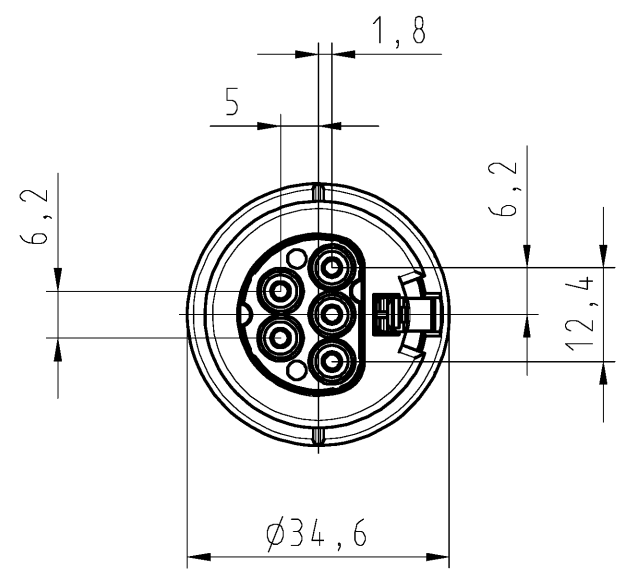
Fits with

Commercial Art.No.:	Article-type description:	Description:
---------------------	---------------------------	--------------

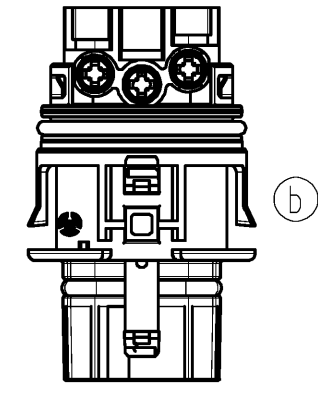
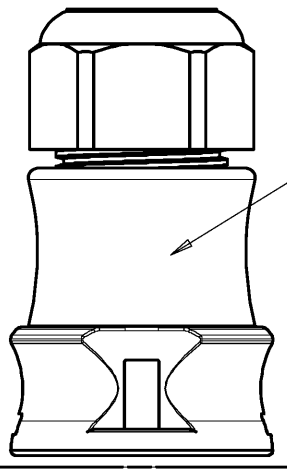
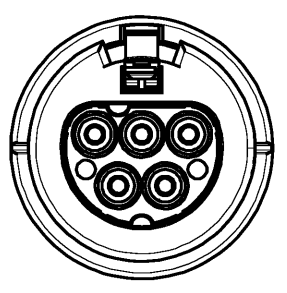
96.050.0153.1	Distributor RST20i5B 3P1 F VG SW	RST20i5 compact distribution unit, 5 pole, application 250/400V with PE, 20A, 1 input and 3 outputs, with fastening option, coding color black, color of housing black
96.051.4153.1	Connector RST20i5S B1 ZR2 SW	RST20i5 connector, 5 pole, female, screw connection, application 250/400V with PE, 20A, for cable diameters 10-14mm, coding color black, color of housing black
96.053.4153.1	Connector RST20i5S B1 YR2 SW	RST20i5 connector (90° angled), 5 pole, female, screw connection, application 250/400V with PE, 20A, for cable diameters 10-14mm, coding color black, color of housing black
96.051.5053.1	Device connector RST20i5S B1 M01 SW	RST20i5 device connector M25, 5 pole, female, screw connection, application 250/400V with PE, 20A, coding color black
96.051.6153.1	Device connector RST20i5S B1 M03 SW	RST20i5 device connector M16, 5 pole, female, screw connection, modular, application 250/400V with PE, 20A, coding color black, color of housing black
96.051.6053.1	Device connector RST20i5S B1 M00 SW	RST20i5 device connector M20, 5 pole, female, screw connection, modular, application 250/400V with PE, 20A, coding color black, color of housing black
96.053.6053.1	Device connector RST20i5S B1 M90 SW	RST20i5 device connector (90° angled) M20, 5 pole, female, screw connection, modular, application 250/400V with PE, 20A, coding color black, color of housing black
96.053.6253.1	Device connector RST20i5S B1 M91 SW	RST20i5 device connector (90° angled) M25, 5 pole, female, screw connection, modular, application 250/400V with PE, 20A, coding color black, color of housing black
96.055.6153.1	Device connector RST20i5S B1 M13 SW	RST20i5 device connector (7° angled) M16, 5 pole, female, screw connection, modular, application 250/400V with PE, 20A, coding color black, color of housing black
96.051.6353.1	Device connector RST20i5S B1 M02V SW	RST20i5 device connector M32, 5 pole, female, screw connection, modular, application 250/400V with PE, 20A, coding color black, color of housing black

These dimensions will be especially checked at delivery
Only inspection dimensions
With /E marked dimensions are only valid for internal use

Diese Maße werden bei Abnahme besonders geprüft
Ausschließlich Prüfmaße
Mit /E gekennzeichnete Maße sind nur für interne Zwecke gültig



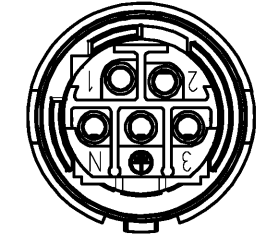
Auslieferungszustand



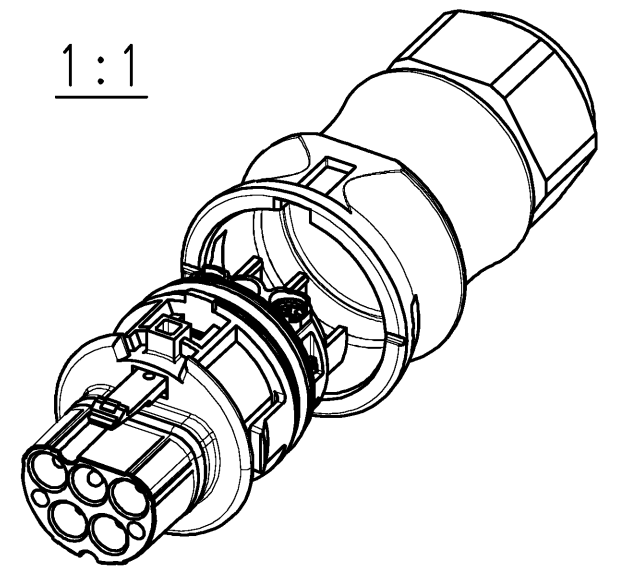
for cable diameter 10-14mm
für Kabeldurchm. 10-14mm

Verpackungseinheit: je 100 Stück
packaging unit: per 100

A-A



1:1



Weitergabe sowie Vervielfältigung dieses Dokuments, Verwertung und Mitteilung seines Inhalts sind verboten, soweit nicht ausdrücklich gestattet. Die Reproduktion, Distribution und Nutzung dieses Dokuments sowie die Kommunikation der Inhalte mit Dritten ohne schriftliche Genehmigung ist untersagt.

Tolerierung Size ISO 14405 (E) / Tolerance system Size ISO 14405 (E).
(This ISO-standard describes the envelope principle. According to the envelope principle the deviations of form and parallelism are limited by the size tolerances).

nein/no Stoffverbots- und Deklarationsliste nach WN 5020.010 ist einzuhalten.
Conformity with Wieland document WN 5020.010 e (list of prohibited / declarable hazardous substances) to be declared!

Freitoleranz nach General tolerance CAD - Zeichnung, keine manuellen Änderungen CAD - drawing, no manual modifications allowed 1. Verwendung: First Use: Blatt: 1 von 1 Sheet: of 1

Teile-Nr./ part-nr.	Farbe:/ color:	Type
96.052.4153.1	schwarz, ähnl. RAL 9005/ black, similar to RAL 9005	RST2015S S1 ZR2 V SW
96.052.4153.0	lichtgrau, ähnl. RAL 7035/ lightgrey, similar to RAL 7035	RST2015S S1 ZR2 V GL

Werkstoff/Material	2005 Tag/Date	Name	Zeichnung Nr./Drawing No.	Index
Maßstab/Scale	24.08.	Kneitz		
Vol. mm ³ Of l./Surf. mm ²	gezeichnet drawn	geprüft checked	Maße in mm/Dimensions are in mm	
Normgepr. Stand. check	-	-	Ersatz für/Replacement for: -	
b 12.04.2016/	Type		Benennung/Title	
a 02.12.2005/	www.wieland		STECKERTEIL MIT ZUGENTLASTUNG	
Index Datum / Blatt Date / Sheet	www.wieland-electric.com		male connector with cord grip	
Änderung/Revision	siehe Tabelle		Schraubanschluß ohne Drahtschutz/screw-connection without wire protection	
			Standardkodierung 0/standard-keying 0 (250V/400V/20A)	