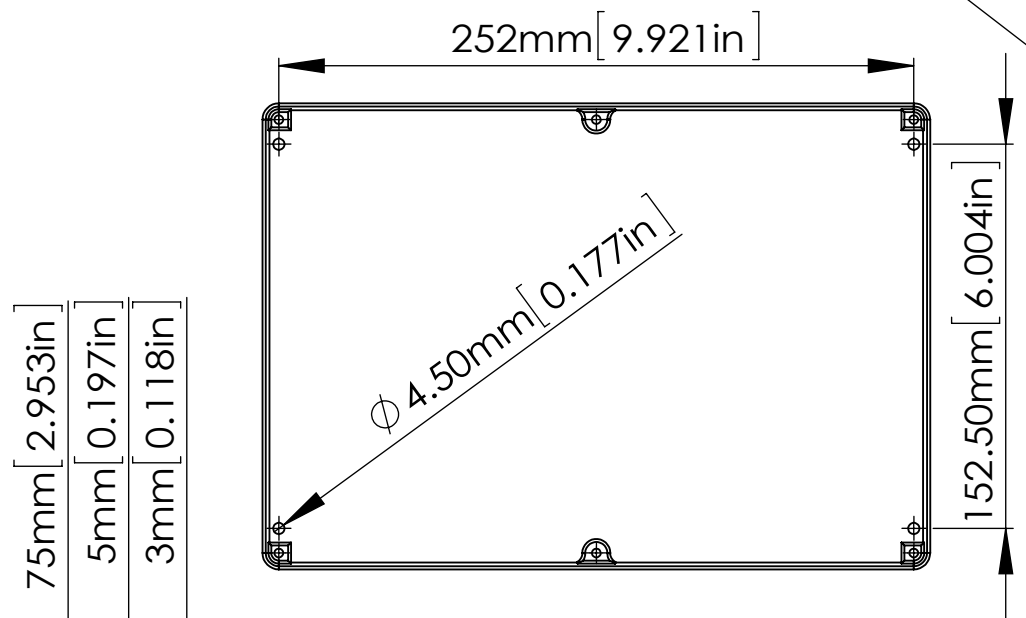


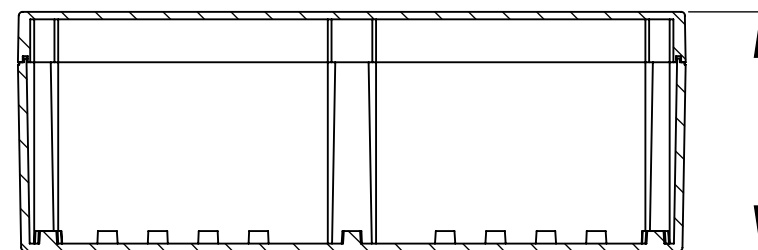
SECTION B-B
SCALE 1 : 3

M3X5 LG,THREADED INSERT(4) PLACES.
M4X8 LG,THREADED INSERT(6) PLACES.



75mm [2.953in]
5mm [0.197in]
3mm [0.118in]

SECTION A-A
SCALE 1 : 3



ASSEMBLY

According to ISO 2768-m	
Measuring DIM=L	Tolerances
0.5<L<=3.0mm	±0.1mm
3.0<L<=6.0 mm	±0.1mm
6.0<L<=30.0 mm	±0.2mm
30.0<L<=120.0 mm	±0.3mm
120.0<L<=400.0 mm	±0.5mm
400.0<L<=1000.0 mm	±0.8mm

宣又實業有限公司
GAINTA INDUSTRIES LTD.

繪圖 DRA'D BY
JACKY

日期 DATE
2018/05/02

材質 MATE.
PC/ABS

圖名TITLE:
G238;G378

圖號DWG NO:

版次REVISED:
E